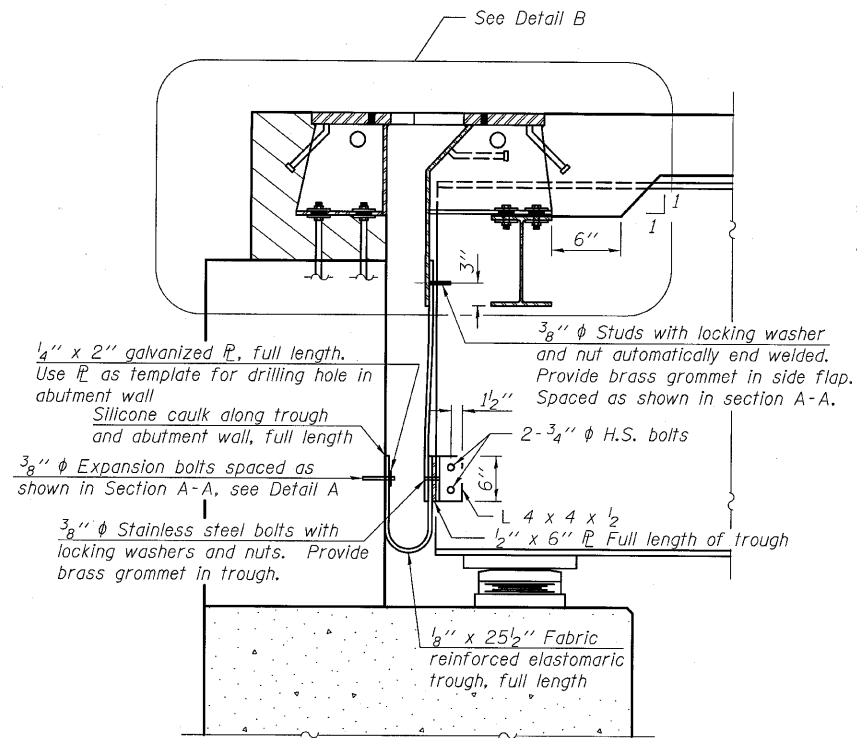
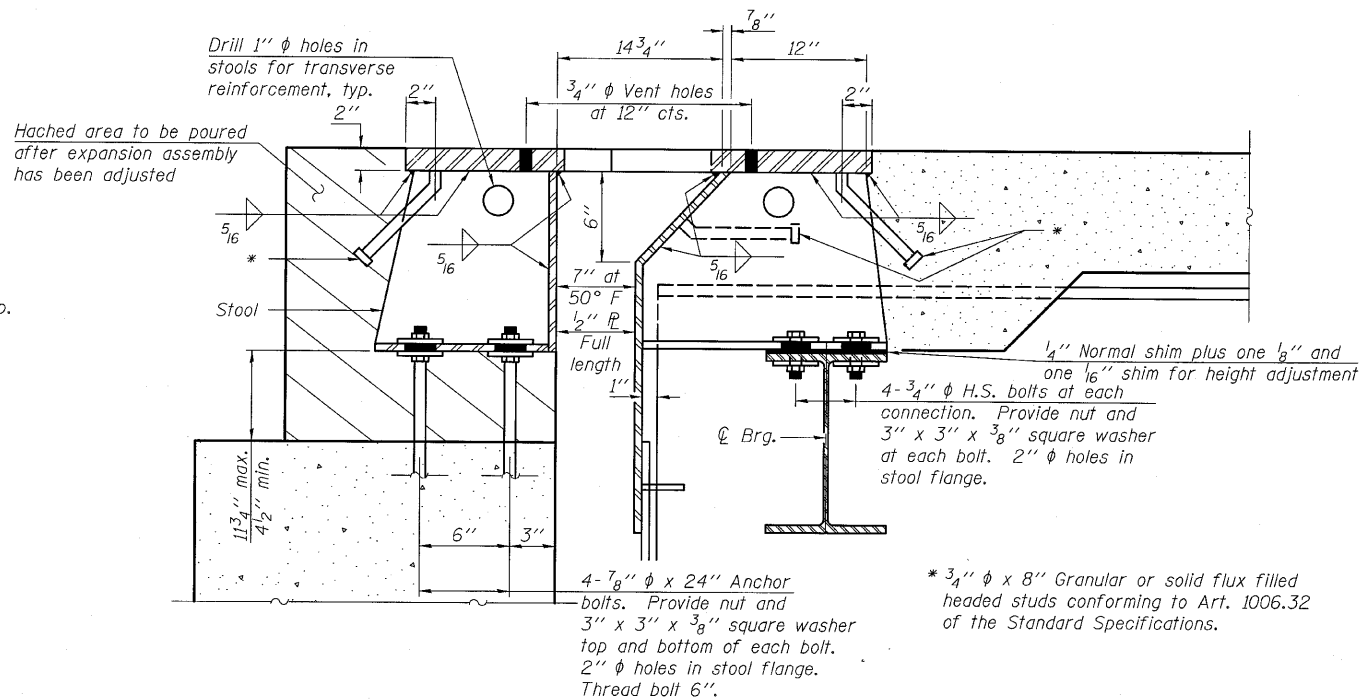


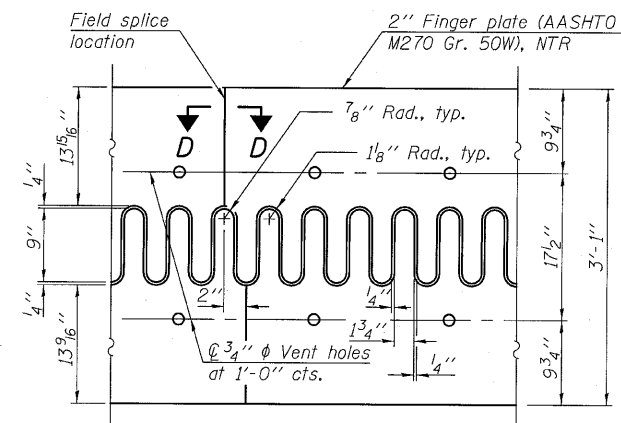
STATE OF ILLINOIS  
DEPARTMENT OF TRANSPORTATION



SECTION B-B

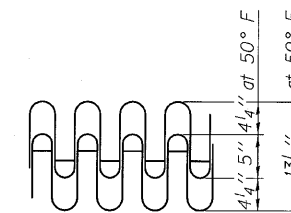


DETAIL B

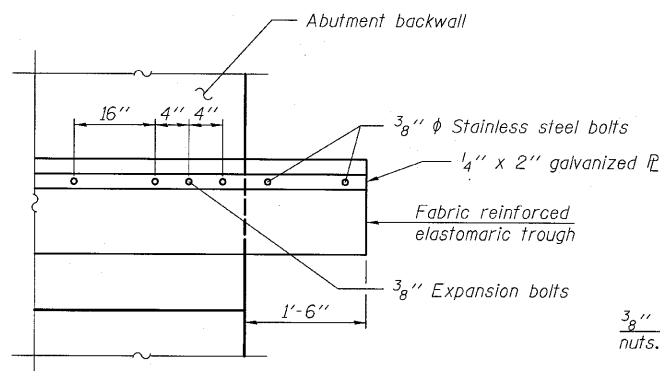


FLAME CUTTING DIAGRAM

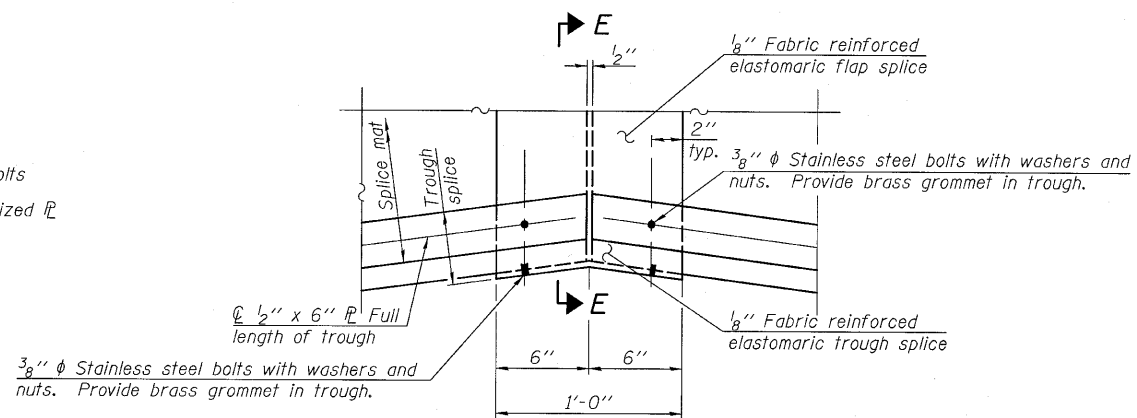
"NTR" denotes plates to which notch toughness requirements are applicable.



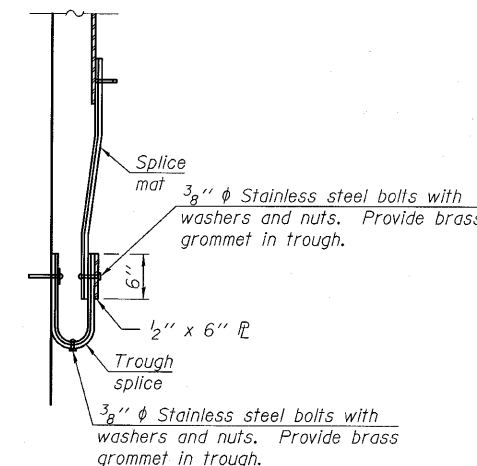
FINGER PLATE SETTING DIAGRAM



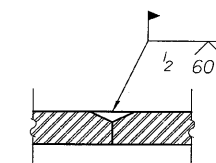
DETAIL A



TROUGH SPLICE DETAIL



SECTION E-E



SECTION D-D

Notes:  
Finger plate expansion joints shall be assembled in their final relative position with ends in place for shop inspection and acceptance.  
The Contractor shall determine the location(s) of the field splice(s) on the finger plate and trough, and coordinate with the fabricator.

FINGER PLATE EXPANSION  
JOINT DETAILS  
STRUCTURE NO. 082-0038

DESIGNED	KAK
CHECKED	JJD
DRAWN	AJF
CHECKED	JJD

HORNER & SHIFRIN, INC.  
ENGINEERS

SHEET NO. 23 48 SHEETS	F.A.P. RTE.	SECTION	COUNTY	TOTAL SHEETS	SHEET NO.
	312	64-1VBR	ST. CLAIR	259	75
			CONTRACT NO. 76882		
ILLINOIS FED. AID PROJECT					