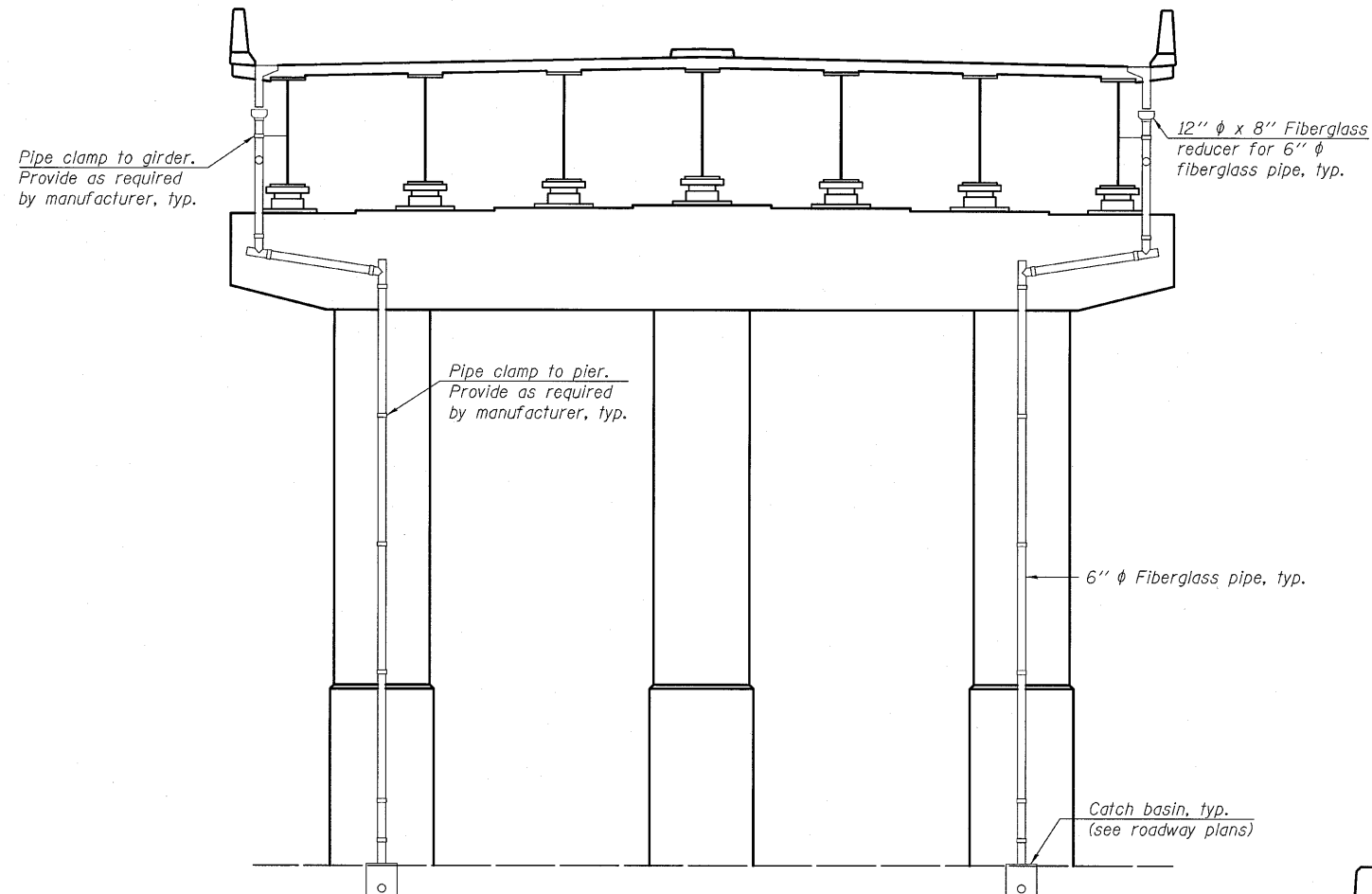
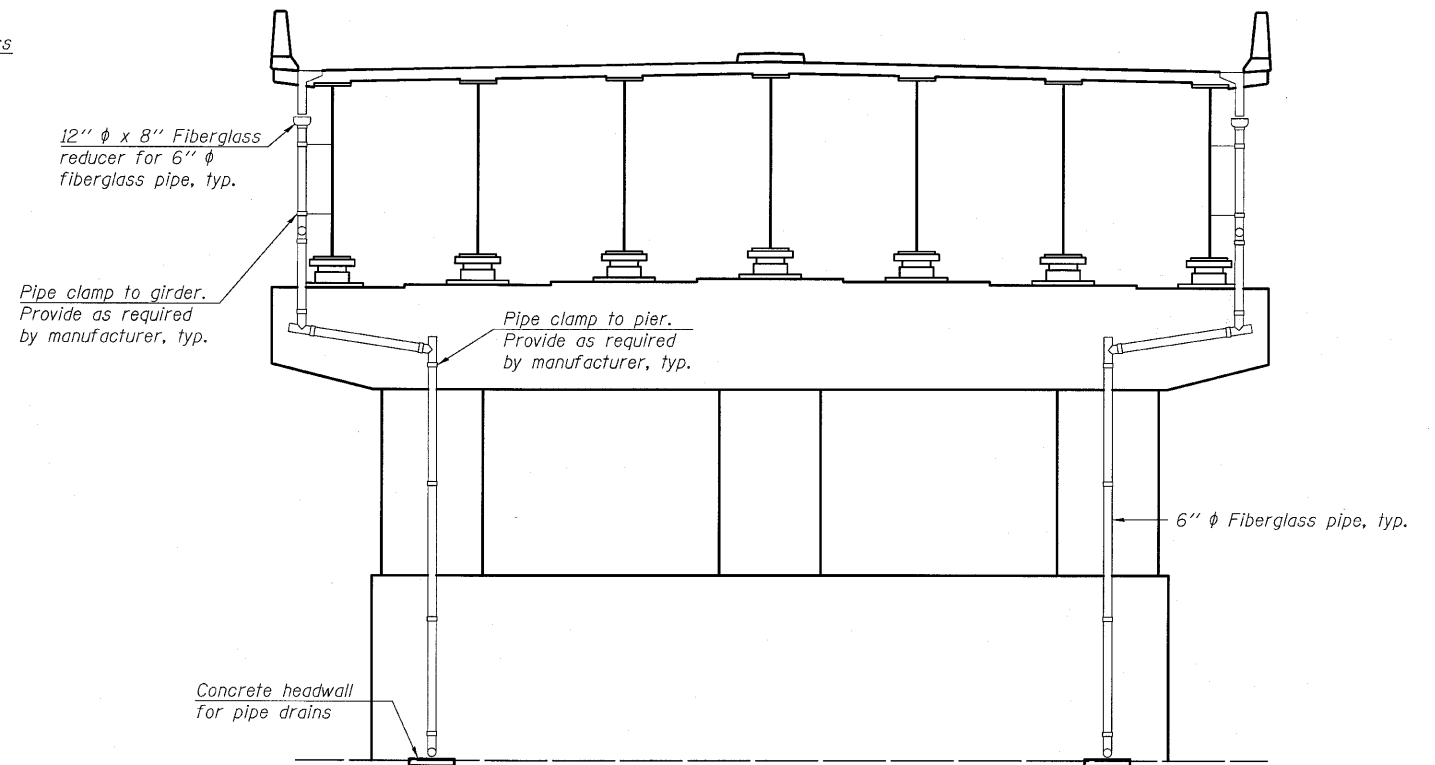


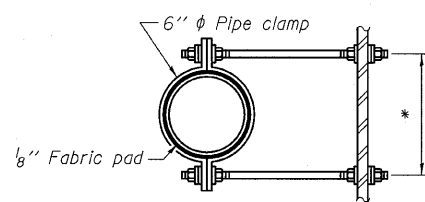
STATE OF ILLINOIS
DEPARTMENT OF TRANSPORTATION



SECTION A-A

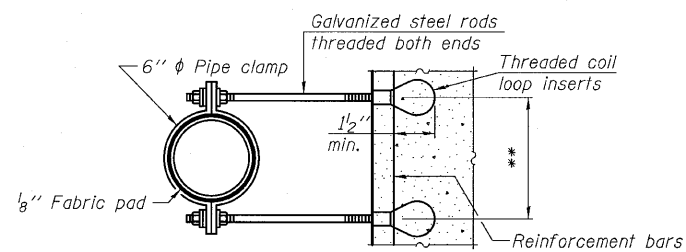


SECTION C-C



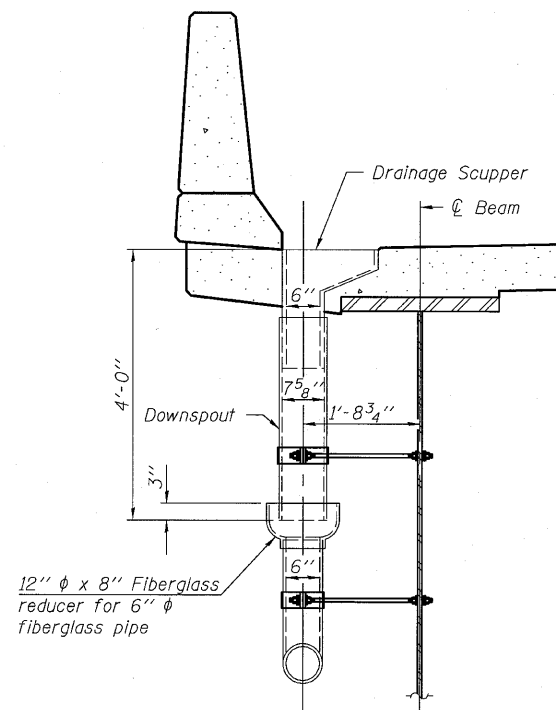
PIPE CLAMP DETAIL
AT GIRDER

* Dimension as required
by pipe clamp.



PIPE CLAMP DETAIL
FOR PIER

** Dimension as required
by pipe clamp.



PARTIAL SECTION B-B

Notes:
The exterior surfaces of the furnished fiberglass pipe shall be coated or pigmented by the manufacturer with a color that matches the color of concrete.
Fiberglass pipe shall conform to ASTM D2996, with short-time rupture strength hoop tensile stress of 30,000 psi minimum. The surface of the fiberglass pipe shall be free of bond inhibiting agents.
The clamping device and inserts shall be galvanized according to AASHTO 232. Space pipe clamp to miss reinforcement.
The cost of pipe, reducers, clamps, attachment hardware, fabric pad, concrete headwall and installation is included with "Drainage System".
The holes for the pipe clamp shall be detailed on the girder shop drawings.
For location of Section A-A, see sheet 26 of 48.
For location of Section B-B, see sheets 26 and 27 of 48.
For location of Section C-C, see sheet 27 of 48.

BILL OF MATERIAL

ITEM	UNIT	QUANTITY
Drainage System	L Sum	1

DRAINAGE SYSTEM DETAILS
STRUCTURE NO. 082-0038

DESIGNED	EML
CHECKED	JJD
DRAWN	EML/AJF
CHECKED	JJD

HORNER &
SHIFRIN, INC.
ENGINEERS

SHEET NO. 28 48 SHEETS	F.A.P. RTE.	SECTION	COUNTY	TOTAL SHEETS	SHEET NO.
	312	64-1VBR	ST. CLAIR	259	80
CONTRACT NO. 76882					
ILLINOIS FED. AID PROJECT					