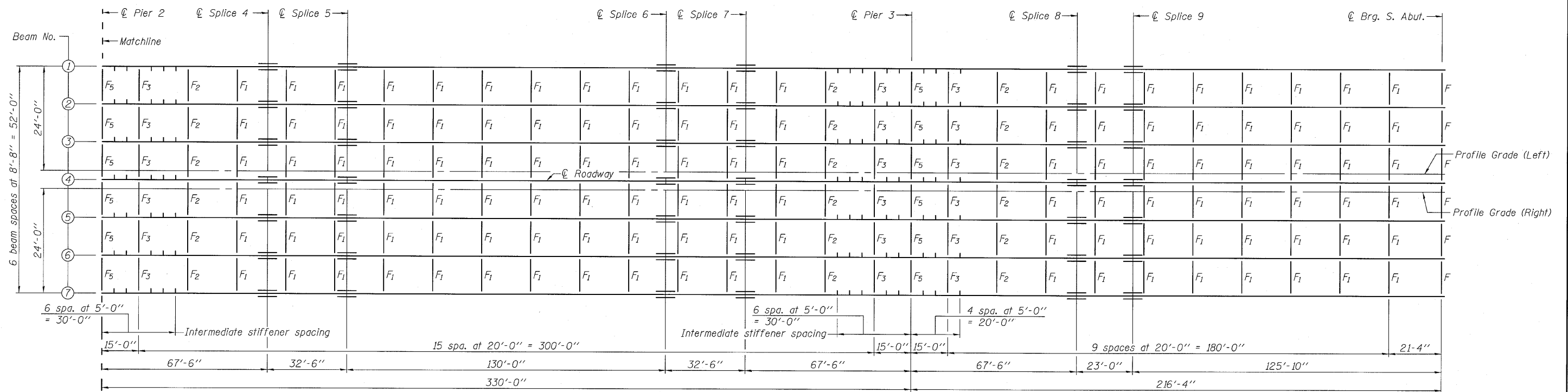
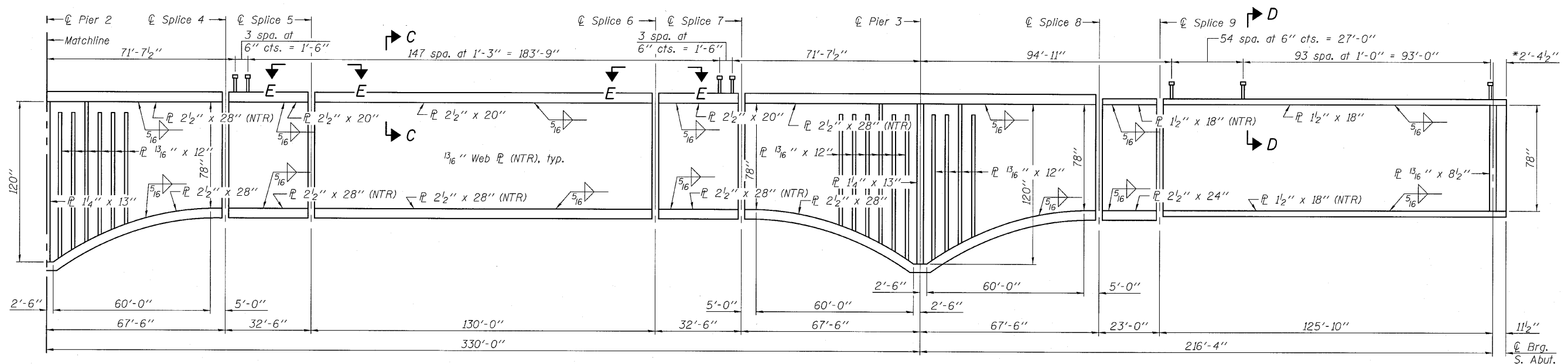


STATE OF ILLINOIS  
DEPARTMENT OF TRANSPORTATION



PARTIAL FRAMING PLAN



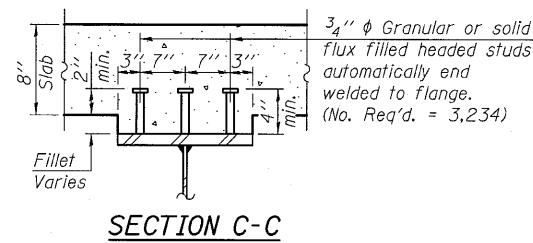
PARTIAL GIRDER ELEVATION

"NTR" denotes plates to which notch toughness requirements are applicable.

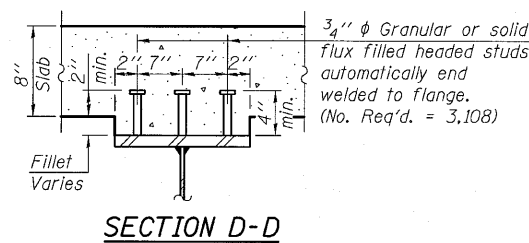
Notes:  
See sheet 29 of 48 for spans 1 and 2.  
See sheet 31 of 48 for View E-E.

\*Based on plumbed end of girder.

DESIGNED EML
CHECKED KAK
DRAWN AJF/EML
CHECKED JJD



SECTION C-C



SECTION D-D

**HORNER & SHIFRIN, INC.**  
ENGINEERS

SHEET NO. 30 48 SHEETS	F.A.P. RTE. 312	SECTION 64-1VBR	COUNTY ST. CLAIR	TOTAL SHEETS 259	SHEET NO. 82
	CONTRACT NO. 76882				
ILLINOIS FED. AID PROJECT					

**STRUCTURAL STEEL**  
**SPANS 3 AND 4**  
**STRUCTURE NO. 082-0038**