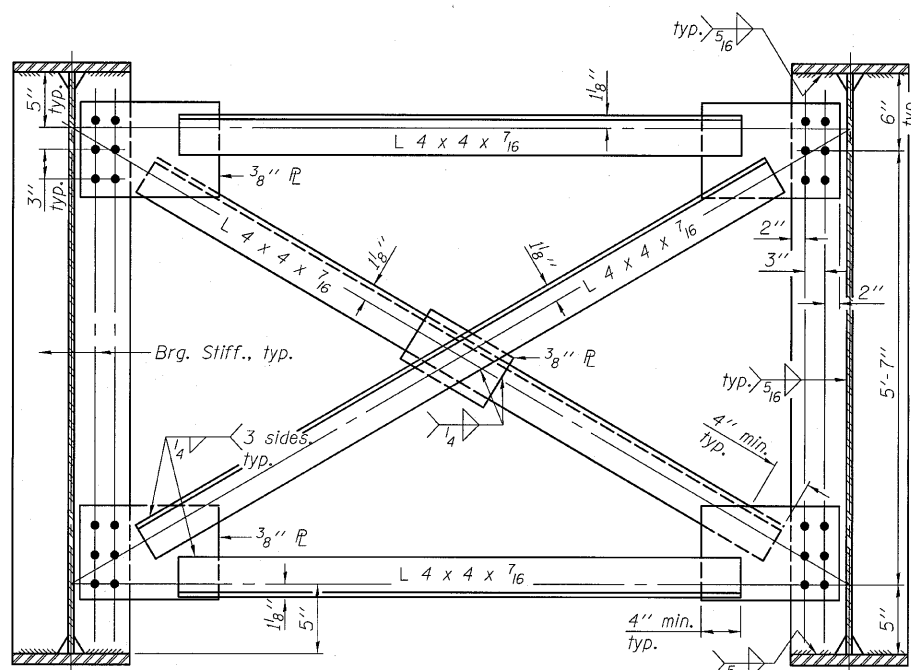
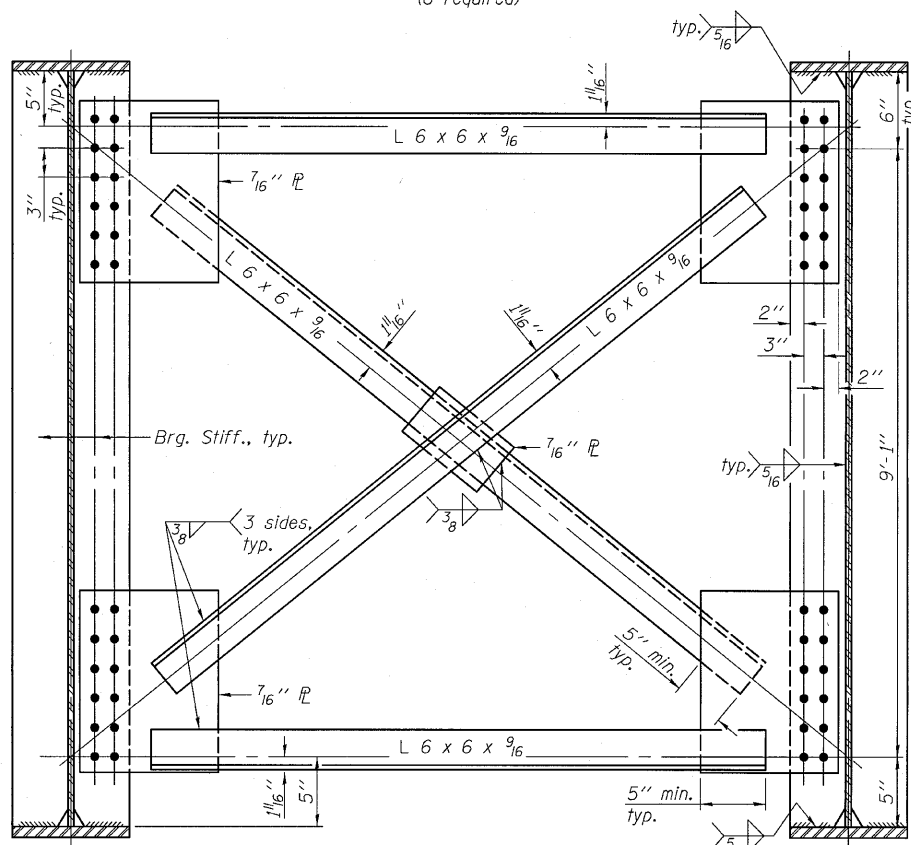


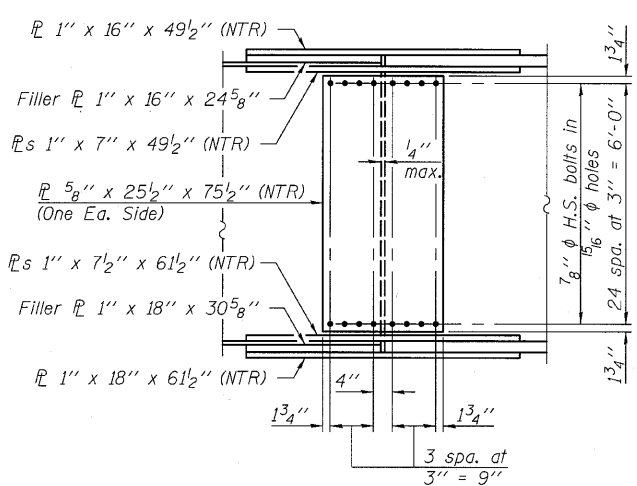
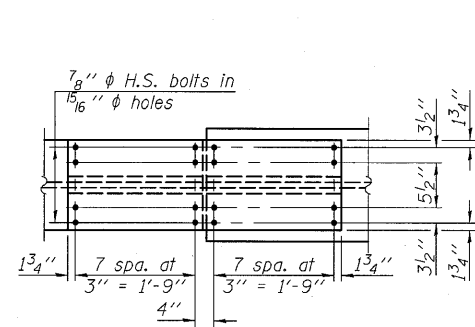
STATE OF ILLINOIS  
DEPARTMENT OF TRANSPORTATION



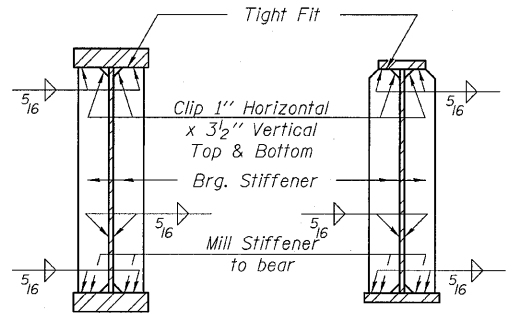
**CROSS FRAME F4**  
(6 required)



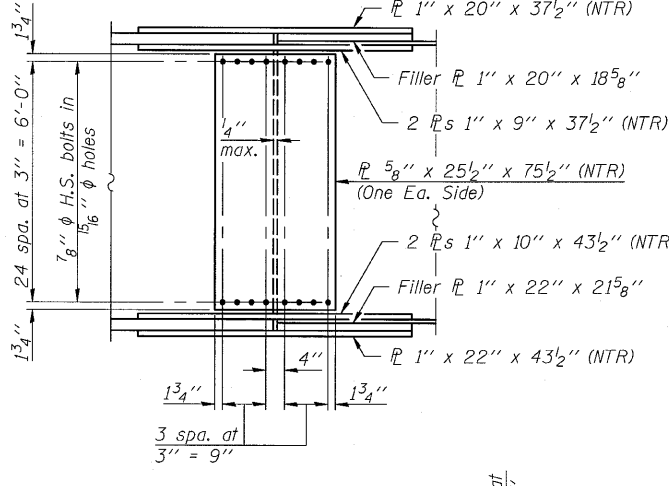
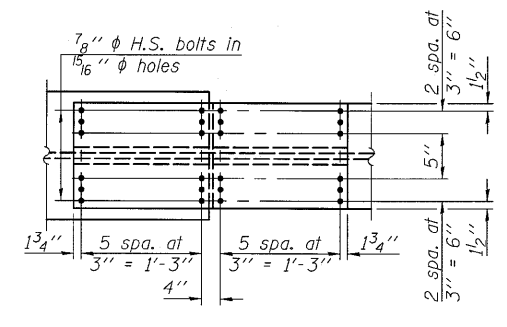
**CROSS FRAME F5**  
(12 required)



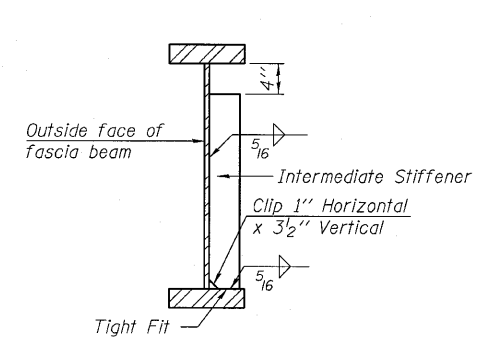
**FIELD SPLICE 1 DETAIL**  
(7 Required)



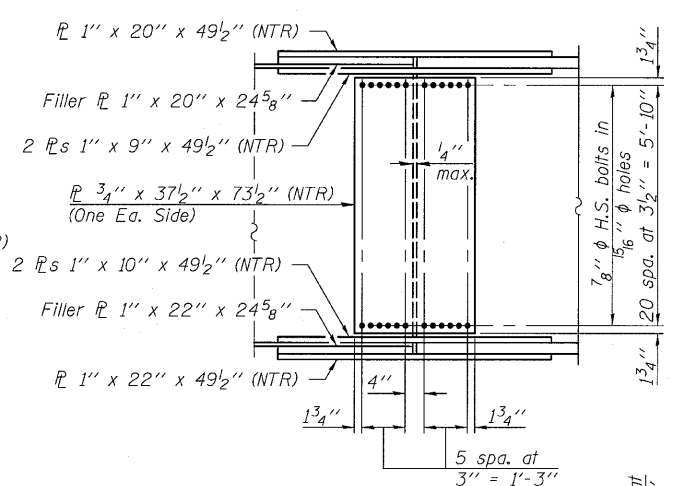
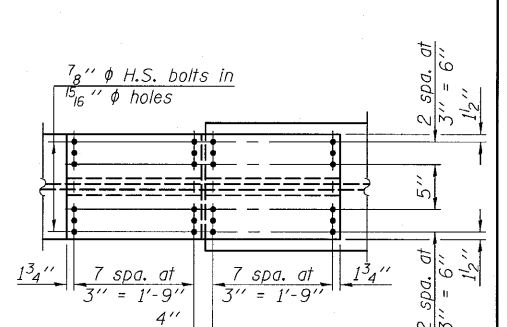
**SECTION AT PIER**      **SECTION AT ABUTMENT**



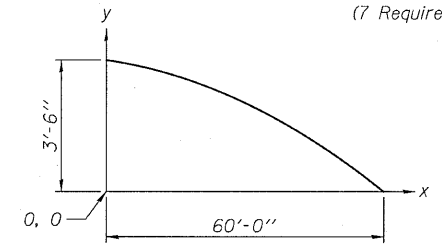
**FIELD SPLICE 2 DETAIL**  
(7 Required)



**SECTION AT INT. STIFFENER**  
(Fascia beam shown, interior beams similar)



**FIELD SPLICE 3 DETAIL**  
(7 Required)



**PARABOLIC HAUNCH DETAIL**

Haunch equation:  $y = -\frac{3.5}{3,600} x^2 + 3.5$ , where x and y are in feet.

**STRUCTURAL STEEL DETAILS**  
**STRUCTURE NO. 082-0038**

DESIGNED	EML/KAK
CHECKED	JJD
DRAWN	EML/KAK
CHECKED	JJD



SHEET NO. 32 48 SHEETS	F.A.P. RTE.	SECTION	COUNTY	TOTAL SHEETS	SHEET NO.
	312	64-1VBR	ST. CLAIR	259	84
CONTRACT NO. 76882					
ILLINOIS FED. AID PROJECT					