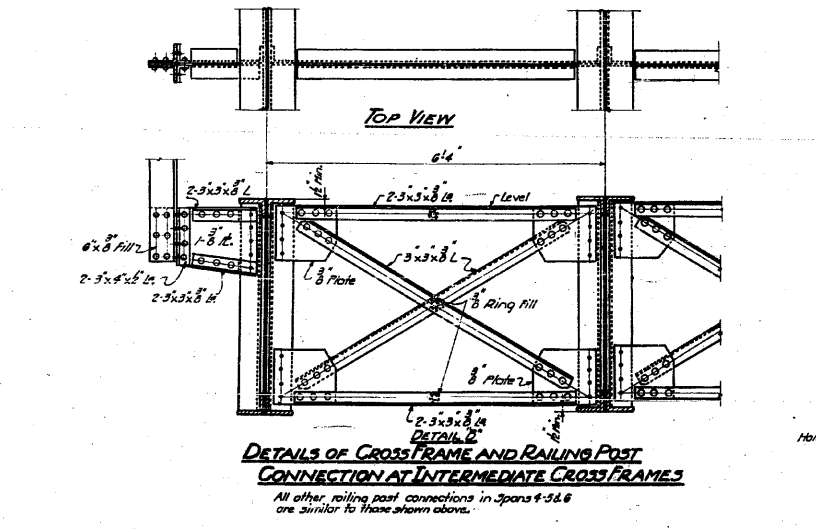
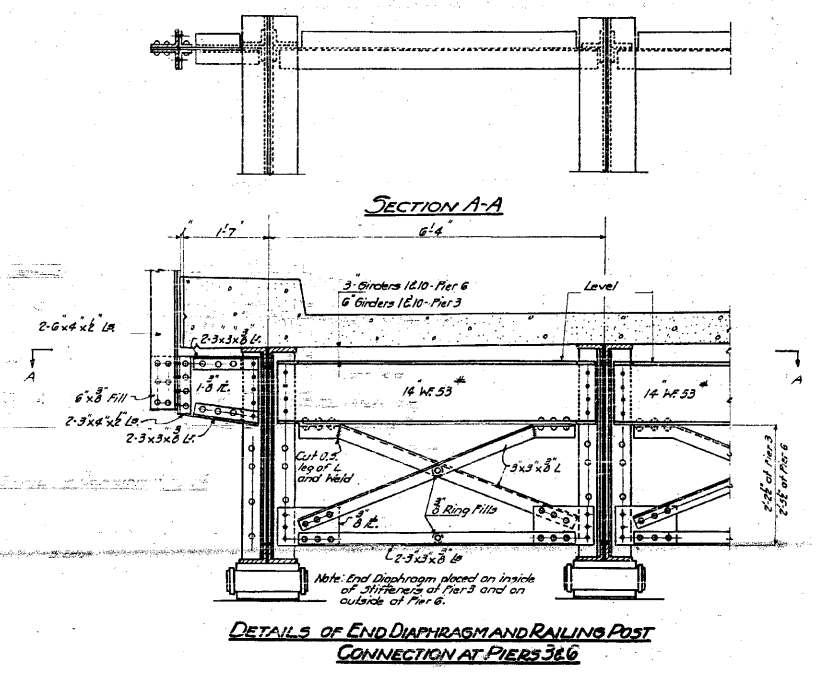
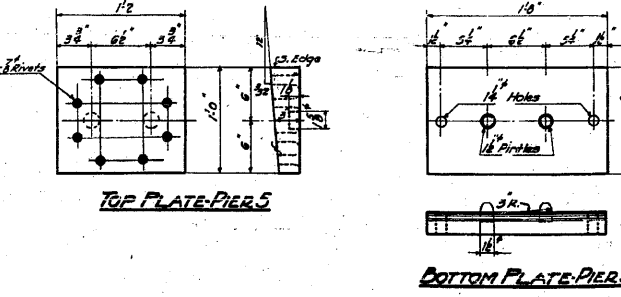
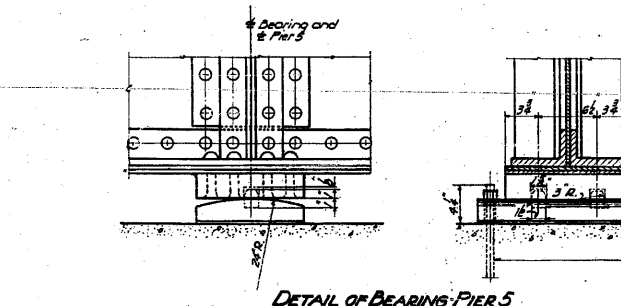
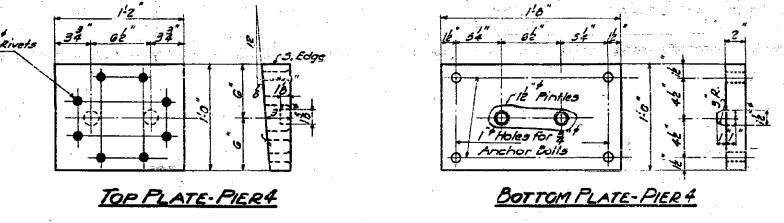
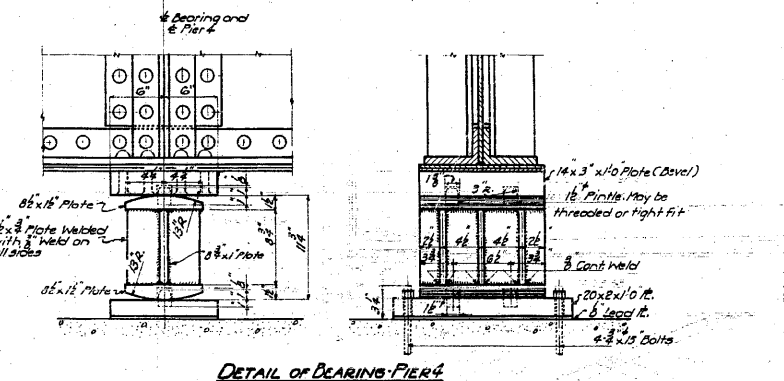
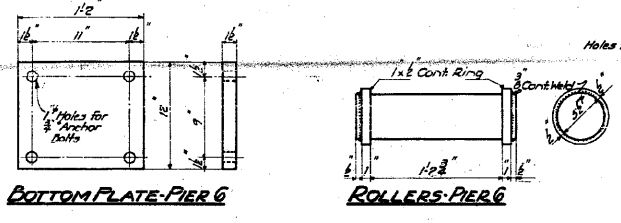
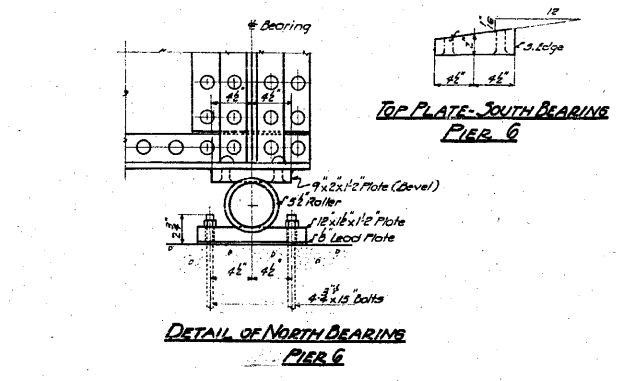


STATE OF ILLINOIS
DEPARTMENT OF PUBLIC WORKS & BUILDINGS
DIVISION OF HIGHWAYS

NO. SHEETS	20	TOTAL SHEETS	20
NO. SHEETS	13	TOTAL SHEETS	20
DESIGN NO. 64-1VBR			
PROJECT NO. 13			
CONTRACT NO. 76882			

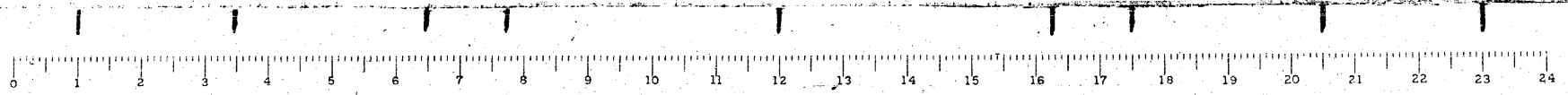


COMPUTED	W. F. Wilby	EXAMINED	B-10 1954
CHECKED	R. H. Miller	DRAWN	W. E. Hansen
DRAWN	W. F. Wilby	CHECKED	M. Miller
CHECKED	W. F. Wilby	APPROVED	R. H. Miller
ASSEMBLED			
CHECKED			



For Bearing Details at Pier 3 See Sheet 15
For Section at Pier 6 See Sheet 16
For details of Handrail Posts and Railing See Sheet 14

DETAILS- SPANS 4-5&6
GRADE SEPARATION
MISSOURI PACIFIC R.R.
NORTH OF DUPO
FA. ROUTE 4 - SEC. 64-1VBR
ST. CLAIR COUNTY



FOR INFORMATION ONLY

FILE NAME =	USER NAME = CFC..	DESIGNED -	REVISED -
...106-DB76882-exist-bridge-plans-06.dgn		DRAWN -	REVISED -
		CHECKED -	REVISED -
CB JOB NO 09821		DATE - / /	REVISED -

STATE OF ILLINOIS
DEPARTMENT OF TRANSPORTATION

SN 082-0030 PLANS
(ORIGINAL PLANS)

SCALE: SHEET NO. OF SHEETS STA. TO STA.

CB Coombe-Bloxdorf P.C.
- CIVIL ENGINEERS -
- STRUCTURAL ENGINEERS -
- LAND SURVEYORS -
Design Firm License No. 184-002703

F.A.P. RYE.	SECTION	COUNTY	TOTAL SHEETS	SHEET NO.
312	64-1VBR	ST. CLAIR	259	106
			CONTRACT NO. 76882	
ILLINOIS FED. AID PROJECT				