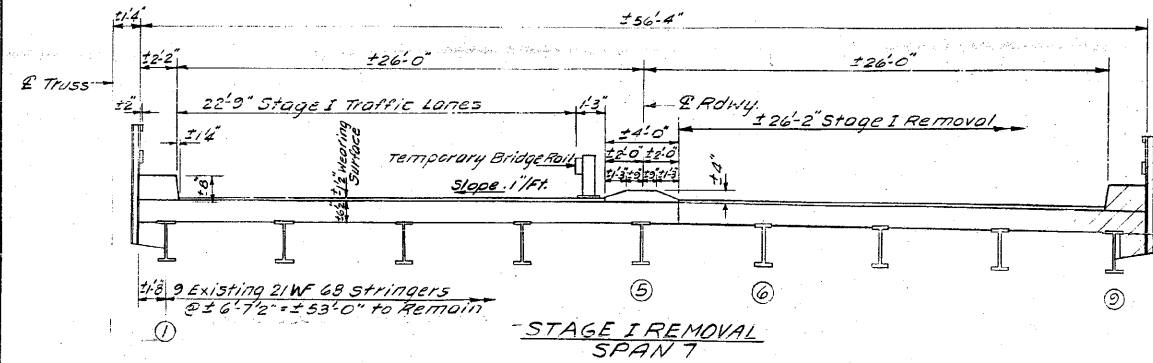
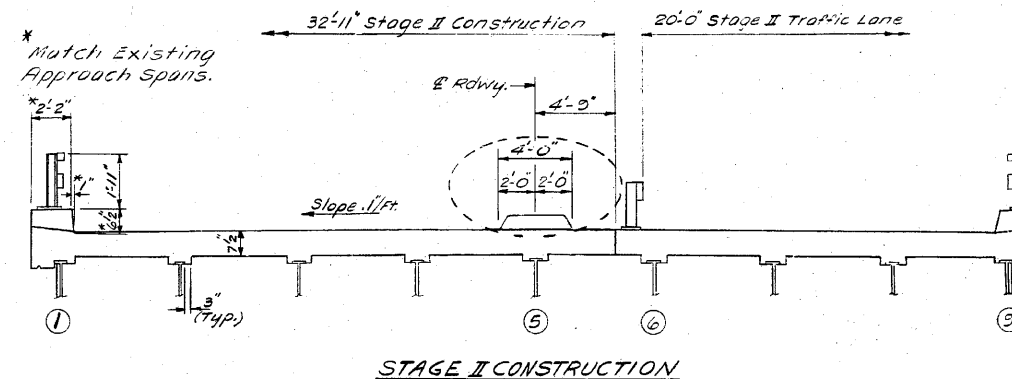
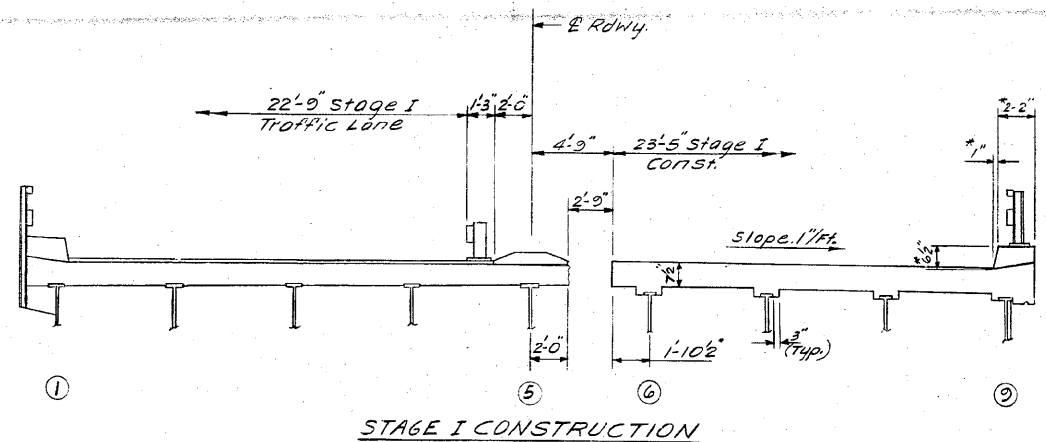
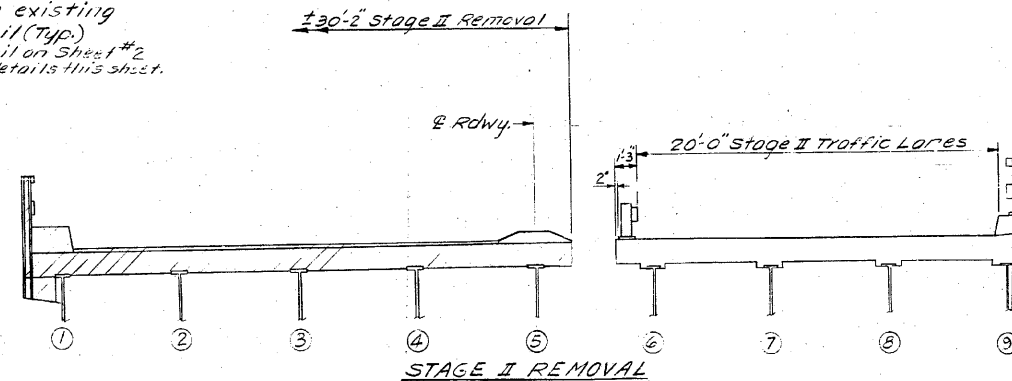


STATE OF ILLINOIS
DEPARTMENT OF TRANSPORTATION

ROUTE NO.	SECTION	COUNTY	TOTAL SHEETS	SHEET NO.	SHEET NO.
312	64-1VBR	ST. CLAIR	23	7a	13
SHEET NO. 30					
13 SHEETS					

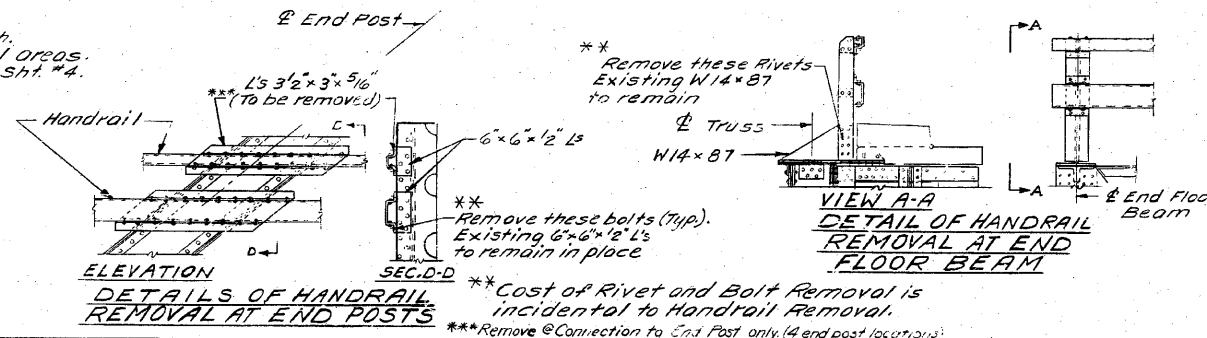


Remove existing Handrail (Typ.)
See detail on Sheet #2
Also see details this sheet.

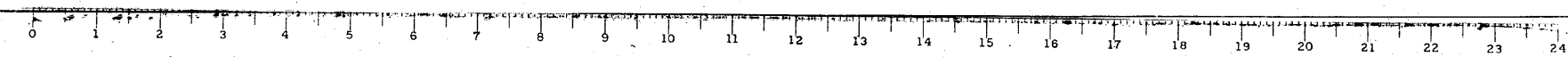


All cross sections are looking South.
Hatched Portions indicate Removal Areas.
For Temporary Bridge Rail details, see Sht. #4.

DESIGNED	Feb. 4 1985
CHECKED	
DRAWN	LH
CHECKED	LG



STAGE CONSTRUCTION DETAILS
SPAN 7
FA. RTE. 14 SEC. 64-1VBI
ST. CLAIR COUNTY
STA. 281 + 07.13
AS REVISED 2-28-86 DEB



FOR INFORMATION ONLY

CB Coombe-Bloxdorf P.C.
- CIVIL ENGINEERS -
- STRUCTURAL ENGINEERS -
- LAND SURVEYORS -
Design Firm License No. 184-002703

FILE NAME = ...N136-D876882-exist-bridge-repair-plans-36.dgn	USER NAME = CFC...	DESIGNED -	REVISED -	STATE OF ILLINOIS DEPARTMENT OF TRANSPORTATION	SN 082-0030 PLANS (REHABILITATION PLANS)	F.A.P. RTE. 312	SECTION 64-1VBR	COUNTY ST. CLAIR	TOTAL SHEETS 259	SHEET NO. 136	
PLOT SCALE = 40.000000' / IN.	CHECKED -	REVISED -	SCALE:			SHEET NO. OF SHEETS	STA. TO STA.	ILLINOIS FED. AID PROJECT			
PLOT DATE = 8/5/2010	DATE - / /	REVISED -									
CB JOB NO 07921											