

STATE OF ILLINOIS
DEPARTMENT OF TRANSPORTATION

ROUTE NO.	SECTION	COUNTY	TOTAL SHEETS	SHEET NO.
312	64-1VBR	ST. CLAIR	259	152
SHEET NO. 130 18 SHEETS				

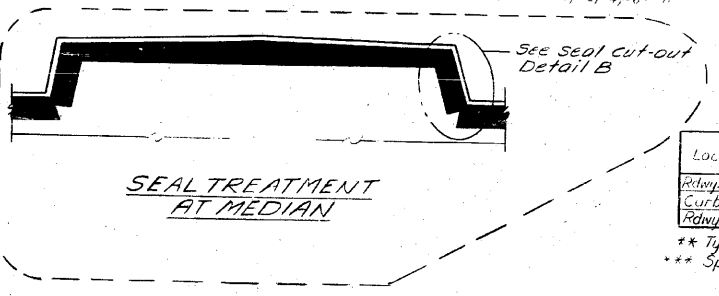
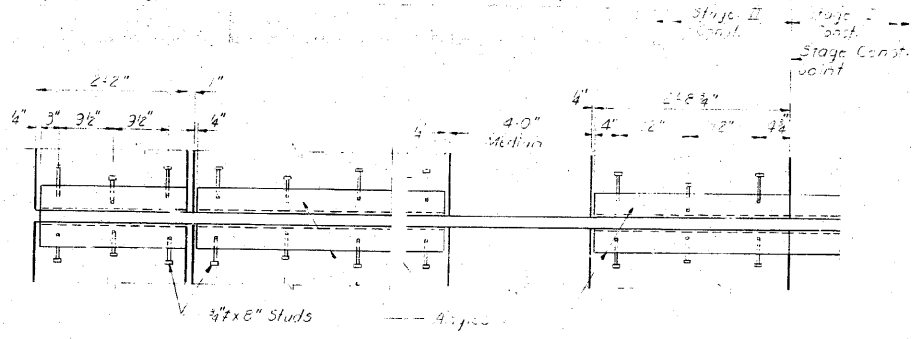
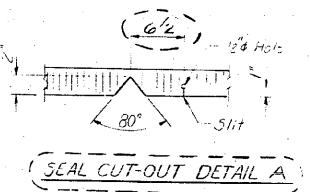
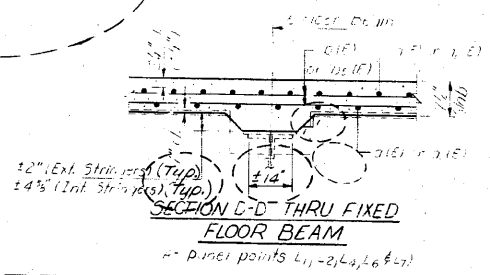
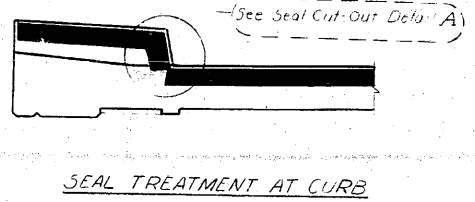
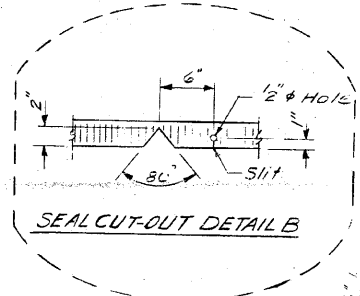
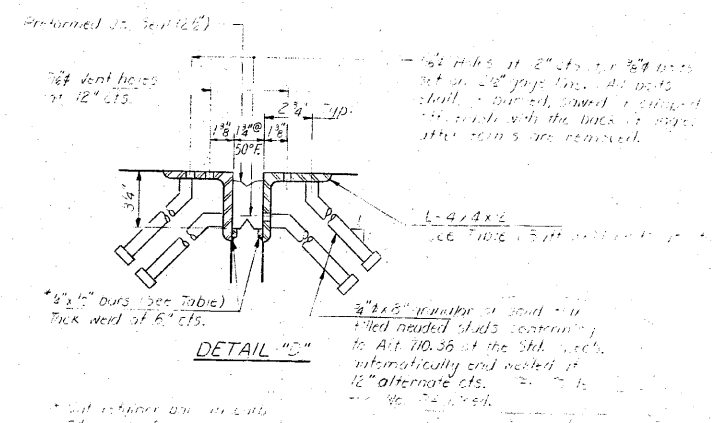
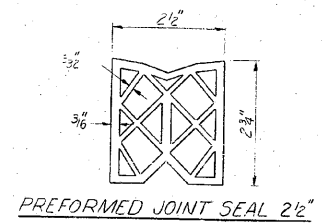
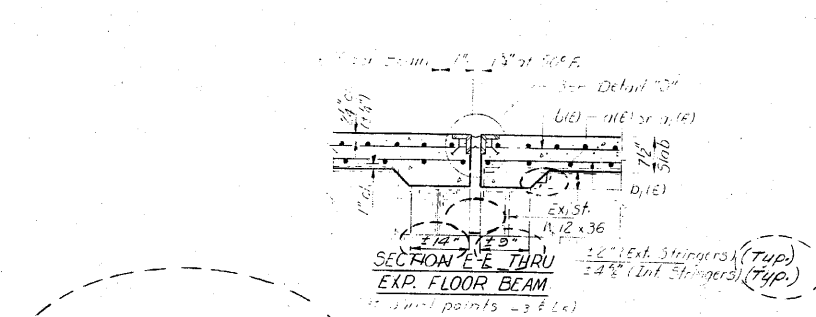
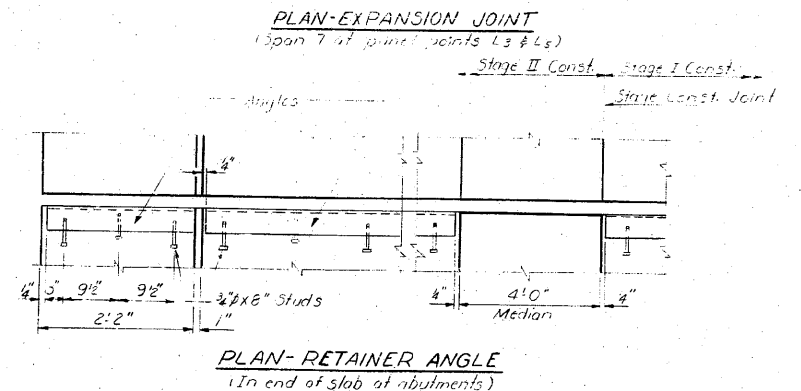


TABLE OF ANGLE AND BAR LENGTHS & NO. STUDS

Location	Angle	Stage I		Stage II (No. Bd. Lanes)		Stage II (No. Bd. Lanes)			
		Bars	No. Studs	Angle	Bars	No. Studs	Angle	Bars	No. Studs
Retn. (Span 7)	23°10'	45	45	23°10'	78	78			
Curbs	21°1 1/4'	18	18	23°10'	18	18			
Retn. (Span 7)	21°1 1/4'	84	84	23°10'	96	96	21°8 3/4'	12	12

** Typical All
*** Span 7 Only.

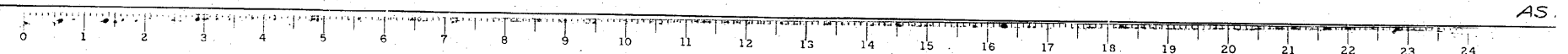


DESIGNED: [Signature]
CHECKED: [Signature]
DRAWN: R. Dofy
CHECKED: DG

EXAMINED: [Signature]
PASSED: [Signature]
APPROVED: [Signature]
DIRECTOR OF HIGHWAYS

Feb. 4 1987

SUPERSTRUCTURE DETAILS
F.A. RT. 14 SEC. 64-1VBR
ST. CLAIR COUNTY
STA. 281+07.13



FOR INFORMATION ONLY

FILE NAME =	USER NAME = CFC..	DESIGNED -	REVISED -
...N152-D876882-exist-bridge-repair-plans	22.dgn	DRAWN -	REVISED -
	PLOT SCALE = 40.000000' / IN.	CHECKED -	REVISED -
CB JOB NO 09021	PLOT DATE = 8/5/2010	DATE - / /	REVISED -

STATE OF ILLINOIS
DEPARTMENT OF TRANSPORTATION

SN 082-0030 PLANS
(REHABILITATION PLANS)

SCALE: SHEET NO. OF SHEETS STA. TO STA.

CB Coombe-Bloxdorf P.C.
-CIVIL ENGINEERS-
-STRUCTURAL ENGINEERS-
-LAND SURVEYORS-
Design Firm License No. 184-002703

F.A.P. RTE.	SECTION	COUNTY	TOTAL SHEETS	SHEET NO.
312	64-1VBR	ST. CLAIR	259	152
				CONTRACT NO. 76882
ILLINOIS FED. AID PROJECT				