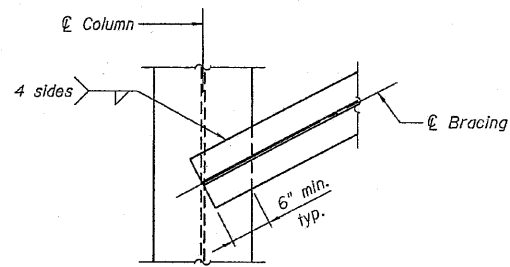


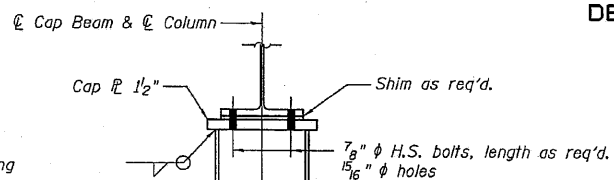
STATE OF ILLINOIS
DEPARTMENT OF TRANSPORTATION

ROUTE NO.	SECTION	COUNTY	SHEET	SHEET NO. 2
F.A. 14	64-IVBI	ST. CLAIR		2 SHEETS
FED. ROAD DIST. NO. 7	ILLINOIS	FED. AID PROJECT		

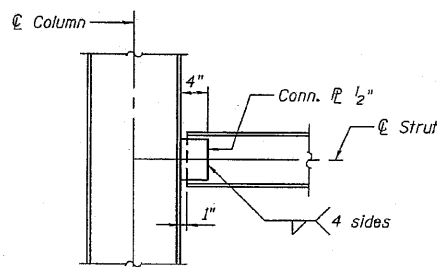
Contract #



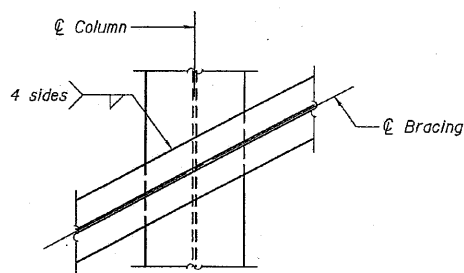
DETAIL A



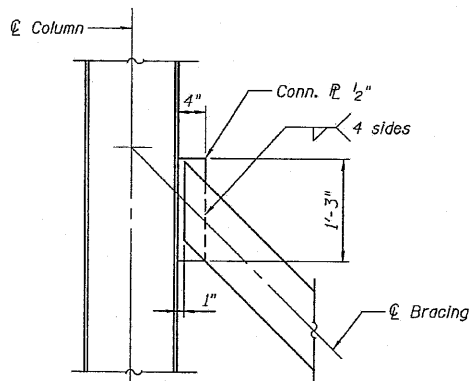
DETAIL C



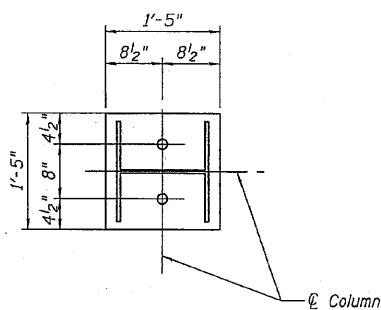
DETAIL D



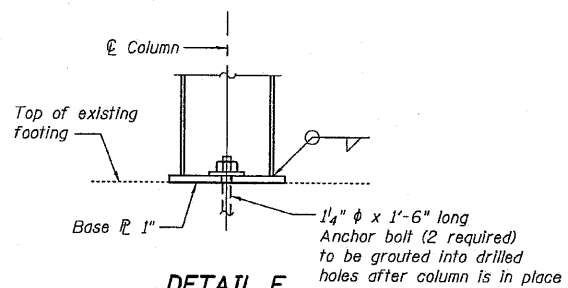
DETAIL B



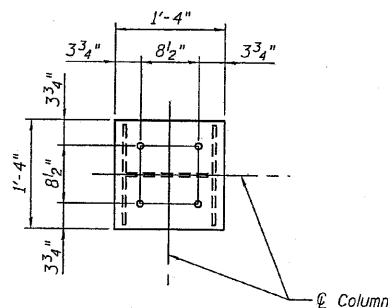
DETAIL E



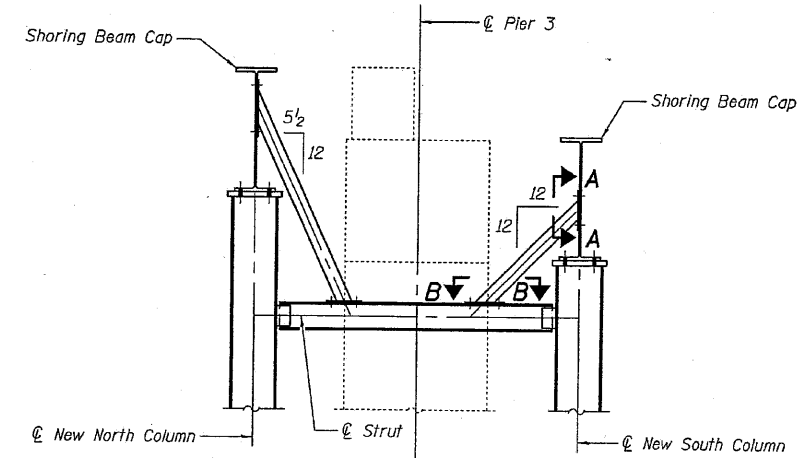
PLAN OF BASE PLATE



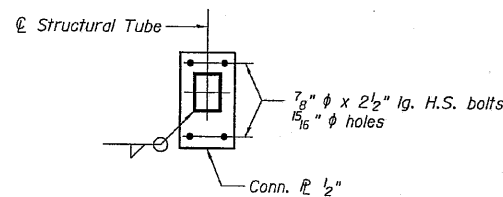
DETAIL F



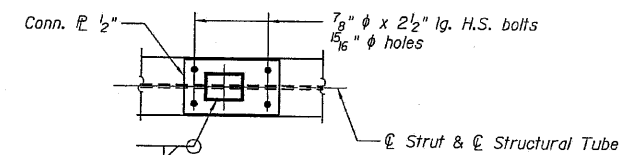
PLAN OF CAP PLATE



K-BRACE DETAIL



SECTION A-A



SECTION B-B

DESIGNED	MEL
CHECKED	RLM
DRAWN	PRC
CHECKED	MEL

200	EXAMINED
ENGINEER OF BRIDGE DESIGN	PASSED
ENGINEER OF BRIDGES AND STRUCTURES	



PIER 3 SHORING DETAILS - 2
IL. ROUTE 3 OVER DUPONT CANAL
AND RAILROAD
F.A. ROUTE 14 - SECTION 64-IVBI

FOR INFORMATION ONLY

S

CB Coombe-Bloxdorf P.C.
- CIVIL ENGINEERS -
- STRUCTURAL ENGINEERS -
- LAND SURVEYORS -
Design Firm License No. 184-002703

FILE NAME =	USER NAME = CFC..	DESIGNED -	REVISED -
...161-D876882-exist-bridge-shoring-plans	02.dgn	DRAWN -	REVISED -
PLOT SCALE = 48,000000 / IN.		CHECKED -	REVISED -
PLOT DATE = 8/5/2010		DATE - / /	REVISED -

STATE OF ILLINOIS
DEPARTMENT OF TRANSPORTATION

SN 082-0030 PLANS
(SHORING TOWER PLANS)

SCALE: SHEET NO. OF SHEETS STA. TO STA.

F.A.P. RTE.	SECTION	COUNTY	TOTAL SHEETS	SHEET NO.
312	64-IVBR	ST. CLAIR	259	161
			CONTRACT NO. 76882	
ILLINOIS FED. AID PROJECT				