

**GENERAL NOTES**

Fasteners shall be AASHTO M 164 Type 1, mechanically galvanized bolts.  
Bolts 7/8 in. φ, holes 15/16 in. φ, unless otherwise noted.

Calculated weight of Structural Steel: AASHTO M270 Grade 50 = 598,000 pounds  
AASHTO M270 Grade 36 = 68,400 pounds

No field welding is permitted except as specified in the contract documents.

Reinforcement bars shall conform to the requirements of ASTM A 706 Gr 60. See Special Provisions.

Reinforcement bars designated (E) shall be epoxy coated.

If the Contractor elects to use cantilever forming brackets on the exterior beams, the brackets shall be placed at the same locations as required for the hardwood blocks in Article 503.06(b) of the Standard Specifications. If additional cantilever forming brackets are required, hardwood blocking shall be wedged between the exterior and first interior beam at each of these additional bracket locations.

Bearing seat surfaces shall be constructed or adjusted to their designated elevations within a tolerance of 1/8 inch (0.01 ft.). Adjustment shall be made either by grinding the surface or by shimming the bearings.

Concrete Sealer shall be applied to the designated areas of the abutments.

The existing structural steel coating contains lead. The Contractor shall take appropriate precautions to deal with the presence of lead on this project.

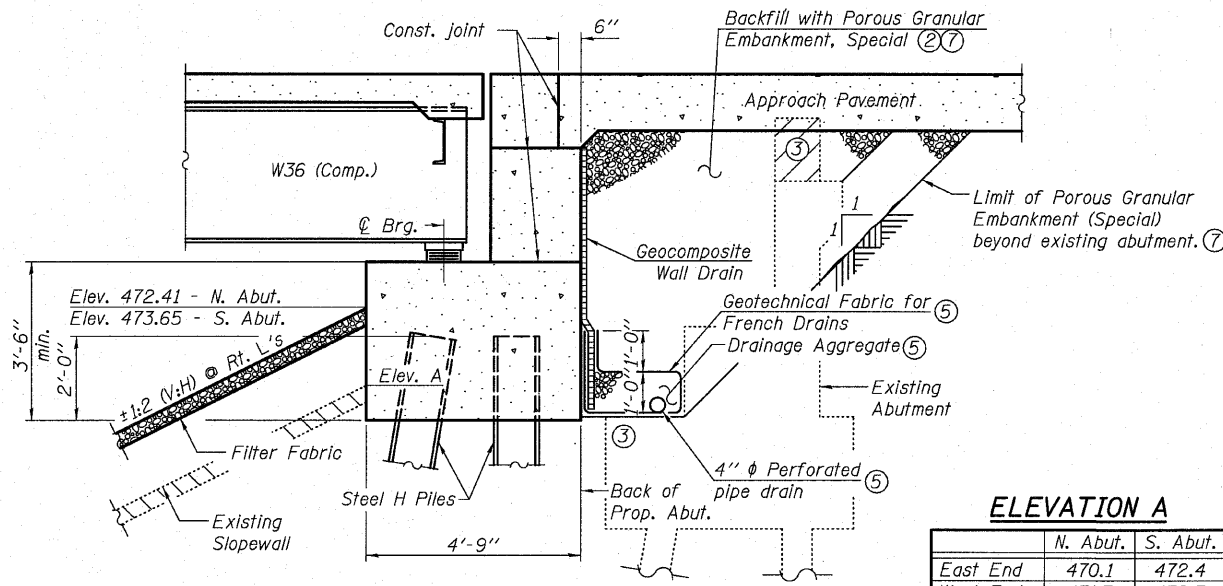
The Inorganic Zinc Rich Primer / Acrylic / Acrylic Paint System shall be used for shop and field painting of new structural steel except where otherwise noted. The color of the final finish coat for all interior steel surfaces shall be gray, Munsell No. 5B 7/1. The color of the final finish coat for the exterior and bottom flange of the fascia beams shall be Interstate Green, Munsell No. 7.5G 4/8. See Special Provision for "Cleaning and Painting New Metal Structures".

The concrete for bridge decks finished according to Article 503.16(a) of the Standard Specifications shall be placed and compacted parallel to the skew in uniform increments along centerline of bridge. The machine used for finishing shall be set parallel to the skew for striking off and screeding the concrete.

Paved ditch shall be reinforced with welded wire fabric, 6" x 6" - W4.0 x W4.0, weighing 58 lbs. per 100 sq. ft.

Slipforming of the parapet is not allowed.

**STATE OF ILLINOIS  
DEPARTMENT OF TRANSPORTATION**



**ELEVATION A**

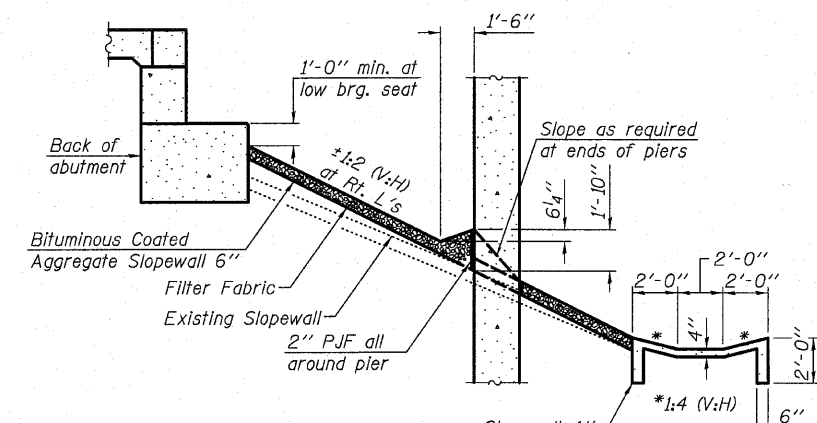
	N. Abut.	S. Abut.
East End	470.1	472.4
West End	471.3	472.7

**Notes:**

- 1 Raise grade to the elevations shown holding the existing toe of slope. Included in the cost of Earth Excavation. See roadway plan for Earthwork Schedule and "Typical Cross Section Showing Step Construction on Existing Fill".
- 2 Contractor to provide temporary support to retain Stage I Porous Granular Embankment, Special until backfilling of Stage II. Cost included in Porous Granular Embankment, Special.
- 3 Hatched areas indicated limits of Removal of Existing Structure. Existing abutments and wingwalls to be removed to top of corbel elevation, minimum. Partial removal of existing footing may be required for construction of abutment. Partial removal of existing wingwall may be required for construction of proposed wingwall and Bridge Approach Shoulder Drains.
- 4 Existing slopewall to be removed. Cost included in Removal of Existing Structures.
- 5 Included in the cost of Pipe Underdrains for Structures 4".
- 6 All drainage system components shall extend to 2'-0" from the end of each wingwall except an outlet pipe shall extend until intersecting with the side slope. The pipes shall drain into concrete headwalls. (See Article 601.05 of the Standard Specifications and Highway Standard 601101).
- 7 Excavation for placing Porous Granular Embankment, Special is paid for as Structure Excavation.

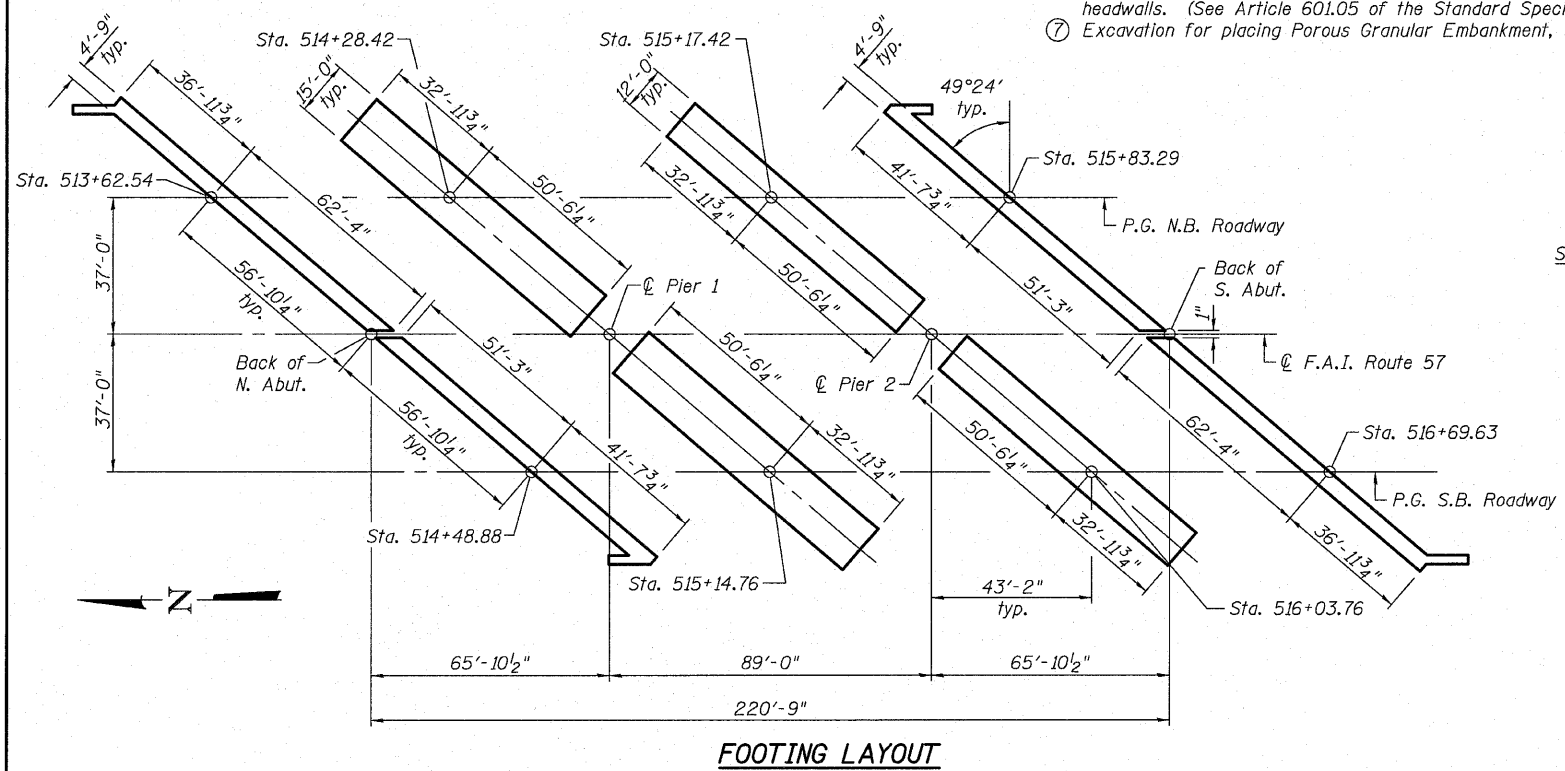
**TOTAL BILL OF MATERIAL**

ITEM	UNIT	SUPER	SUB	TOTAL
Porous Granular Embankment, Special	Cu. Yd.	-	352	352
Filter Fabric	Sq. Yd.	-	2,612	2,612
Removal of Existing Structures	Each	2	-	2
Protective Shield	Sq. Yd.	640	-	640
Structure Excavation	Cu. Yd.	-	163	163
Rock Excavation for Structures	Cu. Yd.	-	618	618
Floor Drains	Each	6	-	6
Concrete Structures	Cu. Yd.	-	2,035.0	2,035.0
Concrete Superstructure	Cu. Yd.	836.6	-	836.6
Bridge Deck Grooving	Sq. Yd.	2,728	-	2,728
Seal Coat Concrete	Cu. Yd.	-	83.6	83.6
Concrete Encasement	Cu. Yd.	-	24.4	24.4
Protective Coat	Sq. Yd.	3,268	-	3,268
Furnishing and Erecting Structural Steel	L. Sum	1	-	1
Stud Shear Connectors	Each	14,820	-	14,820
Reinforcement Bars, Epoxy Coated	Pound	171,530	258,520	430,050
Bar Splicers	Each	1,094	752	1,846
Slopewall 4 inch	Sq. Yd.	-	283	283
Bituminous Coated Aggregate Slopewall 6"	Sq. Yd.	-	2,612	2,612
Furnishing Steel Piles HP 12X53	Foot	-	2,871	2,871
Driving Piles	Foot	-	2,871	2,871
Test Pile Steel HP 12X53	Each	-	4	4
Pile Shoes	Each	-	70	70
Name Plates	Each	2	-	2
Preformed Joint Seal 2 1/2"	Foot	214.0	-	214.0
Preformed Joint Strip Seal	Foot	374.0	-	374.0
Elastomeric Bearing Assembly, Type I	Each	40	-	40
Elastomeric Bearing Assembly, Type II	Each	20	-	20
Anchor Bolts, 1"	Each	80	-	80
Anchor Bolts, 1 1/2"	Each	80	-	80
Concrete Sealer	Sq. Ft.	-	3,022	3,022
Geocomposite Wall Drain	Sq. Yd.	-	278	278
Pipe Underdrains for Structures 4"	Foot	-	464	464
Braced Excavation	Cu. Yd.	-	3,668	3,668
Drainage Scuppers, DS-II	Each	4	-	4
Mechanical Splicers	Each	-	1,788	1,788



**SECTION THRU  
BITUMINOUS COATED SLOPEWALL**

**GENERAL DATA  
STRUCTURE NO. 028-0081 (SB)  
STRUCTURE NO. 028-0082 (NB)**



**INDEX OF SHEETS**

SHEET NO.	DESCRIPTION
1	General Plan
2	General Data
3	Substructure Stage Construction Details
4	Superstructure Stage Construction Details
5	Temporary Concrete Barrier for Stage Construction
6-13	Top of Slab Elevations
14-17	Top of Approach Slab Elevations
18-19	Superstructure
20-21	Superstructure Details
22	Preformed Joint Strip Seal
23	Drainage Scuppers, DS-II
24-25	Framing Plan
26	Structural Steel Details
27-28	Bearing Details
29-34	Abutment Details
35-38	Pier Details
39	HP Pile Details
40	Bar Splicer Assembly Details
41	Median Barrier on Approach Pavement Details
42-43	Boring Logs

SHEET NO.	F.A.I. RTE.	SECTION	COUNTY	TOTAL SHEETS	SHEET NO.
2	57	(28-3-1)VB-1	FRANKLIN	98	26
43 SHEETS			CONTRACT NO. 78068		
FED. ROAD DIST. NO. 7 ILLINOIS FED. AID PROJECT					

**QATES ASSOCIATES**  
Consulting Engineers

Eastport Business Center 1  
100 Lanter Court, Suite 1  
Collinsville, Illinois 62234  
618-345-2200  
Design Firm License No. 184.001115

DESIGNED JAD  
CHECKED DGL  
DRAWN JAD  
CHECKED DGL