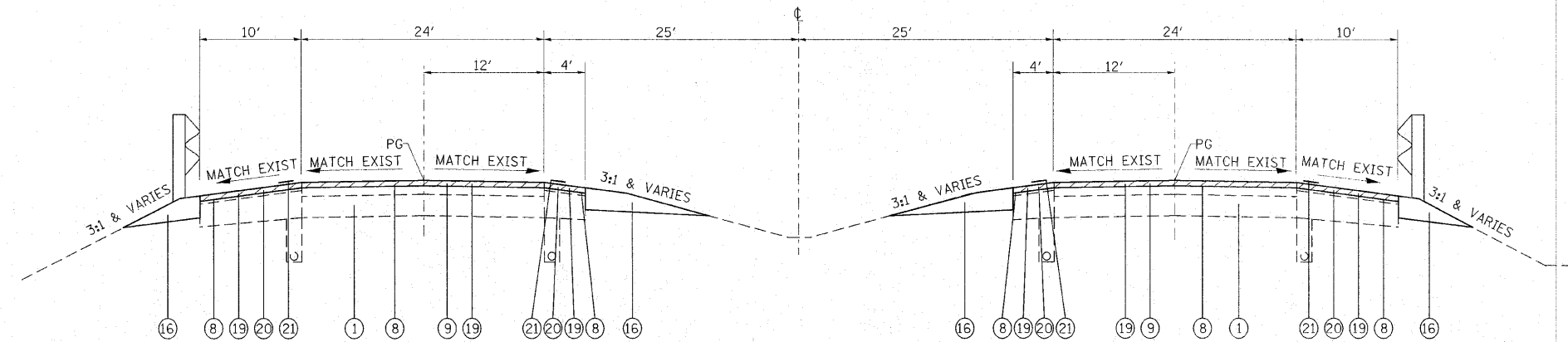


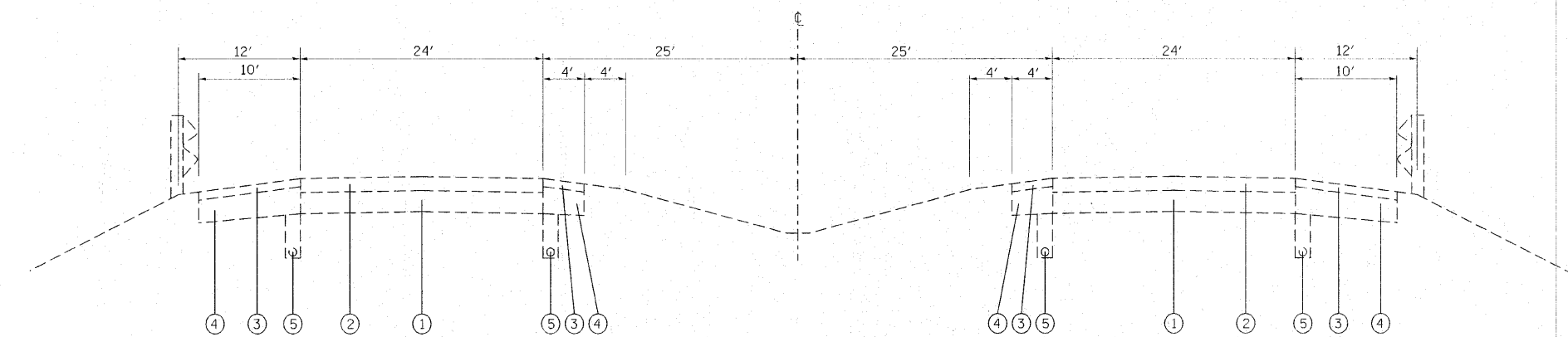
PROPOSED TYPICAL SECTION FAI ROUTE 57

NB STA. 503+50.00 TO STA. 507+00.00
 SB STA. 503+50.00 TO STA. 506+50.00
 NB STA. 525+00.00 TO STA. 528+50.00
 SB STA. 525+00.00 TO STA. 528+50.00



PROPOSED TYPICAL SECTION FAI ROUTE 57

STA. 502+00.00 TO STA. 503+50.00
 STA. 528+50.00 TO STA. 530+00.00



EXISTING TYPICAL SECTION FAI ROUTE 57

NB STA. 502+00.00 TO STA. 513+01.96
 SB STA. 502+00.00 TO STA. 513+87.98
 NB STA. 516+40.74 TO STA. 530+00.00
 SB STA. 517+27.84 TO STA. 530+00.00

LEGEND

- ① EXISTING RUBBLIZED PCC PAVEMENT 10"
- ② EXISTING BITUMINOUS OVERLAY, 8" BINDER COURSE AND 2" SURFACE COURSE
- ③ EXISTING BITUMINOUS SHOULDER OVERLAY, 6 3/4"
- ④ EXISTING STABILIZED SHOULDERS
- ⑤ EXISTING SUB-SURFACE DRAINS
- ⑥ EXISTING PAVED SHOULDER TO BE REMOVED, ESTIMATED DEPTH 8"
- ⑦ EXISTING BRIDGE APPROACH PAVEMENT TO BE REMOVED
- ⑧ PROPOSED POLYMERIZED BITUMINOUS MATERIALS (PRIME COAT)
- ⑨ PROPOSED POLYMERIZED HOT-MIX ASPHALT SURFACE COURSE, MIX "E", N105, (2")
- ⑩ PROPOSED HOT-MIX ASPHALT BINDER COURSE, IL-19.0, N90, (9 1/2")
 PROPOSED POLYMERIZED HOT-MIX ASPHALT BINDER COURSE, IL-19.0, N105, (2 1/4")
- ⑪ PROPOSED POLYMERIZED HOT-MIX ASPHALT BINDER COURSE, IL-19.0, N105, (VARIABLE DEPTH)
- ⑫ PROPOSED PIPE UNDERDRAINS 4"
- ⑬ PROPOSED CONCRETE BARRIER, DOUBLE FACE, 42 INCH HEIGHT
- ⑭ PROPOSED SUB-BASE GRANULAR MATERIAL, TYPE B 12"
- ⑮ PROPOSED LIME MODIFIED SOIL, 12"
- ⑯ PROPOSED AGGREGATE SHOULDERS, TYPE B
- ⑰ PROPOSED PAVEMENT REMOVAL, 11 3/4"
- ⑱ PROPOSED PIPE UNDERDRAIN REMOVAL
- ⑲ PROPOSED HOT-MIX ASPHALT SURFACE REMOVAL, 2"
- ⑳ PROPOSED HOT-MIX ASPHALT SHOULDERS, 2"
- ㉑ PROPOSED SHOULDER RUMBLE STRIP
- ㉒ PROPOSED BRIDGE APPROACH PAVEMENT CONNECTOR (PCC) SPECIAL

FILE NAME =	USER NAME = Wrighttc	DESIGNED -	REVISED -	STATE OF ILLINOIS DEPARTMENT OF TRANSPORTATION	EXISTING & PROPOSED TYPICAL SECTIONS I-57 OVER UNION PACIFIC RAILROAD	F.A.I. RTE. 57	SECTION (28-3-1)VB-1	COUNTY FRANKLIN	TOTAL SHEETS 98	SHEET NO. 9	
D:\Program Development\Studies and Plan	Upstairs Design\Consultant Projects\I-57	DRAWN	REVISED			SCALE:	SHEET NO. 1 OF 2 SHEETS	FED. ROAD DIST. NO.	ILLINOIS	FED. AID PROJECT	CONTRACT NO. 78068
		CHECKED -	REVISED -			STA.	TO STA.				
		DATE -	REVISED -								