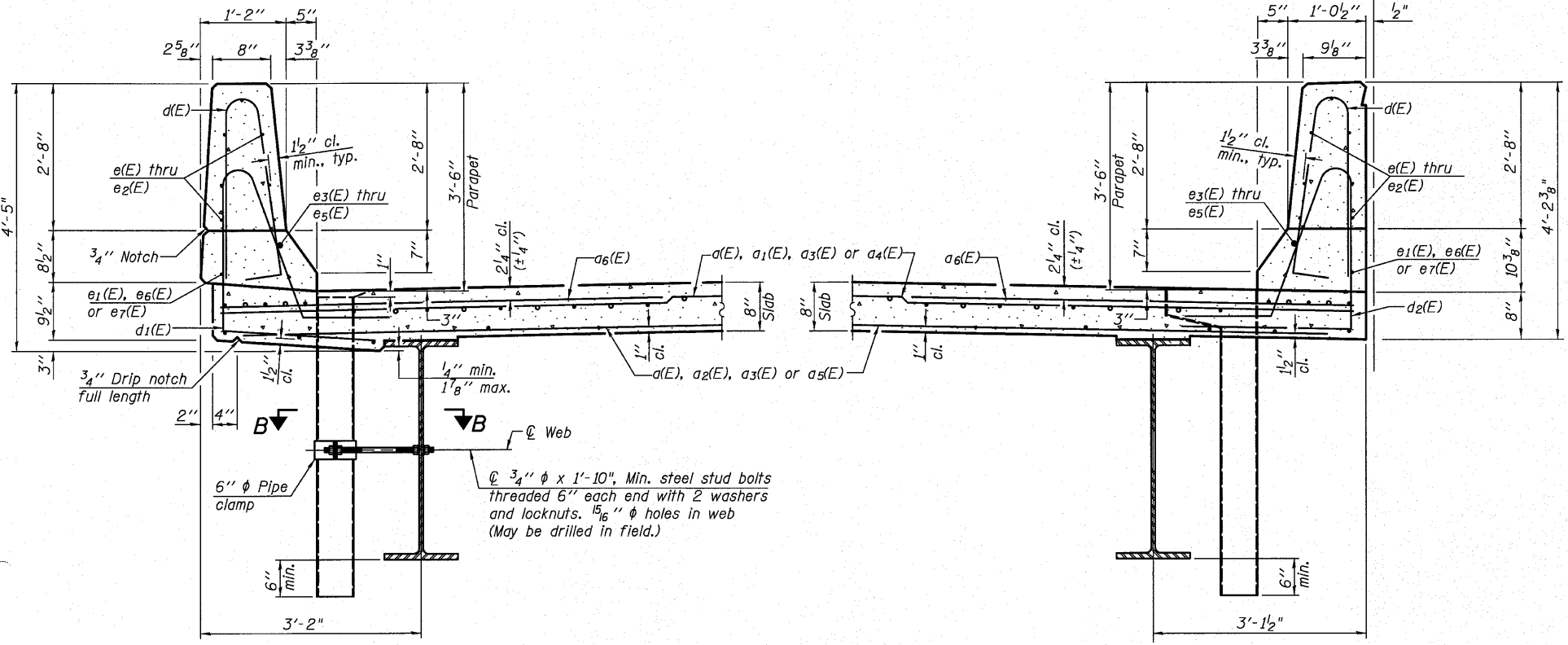


INSIDE ELEVATION OF PARAPET

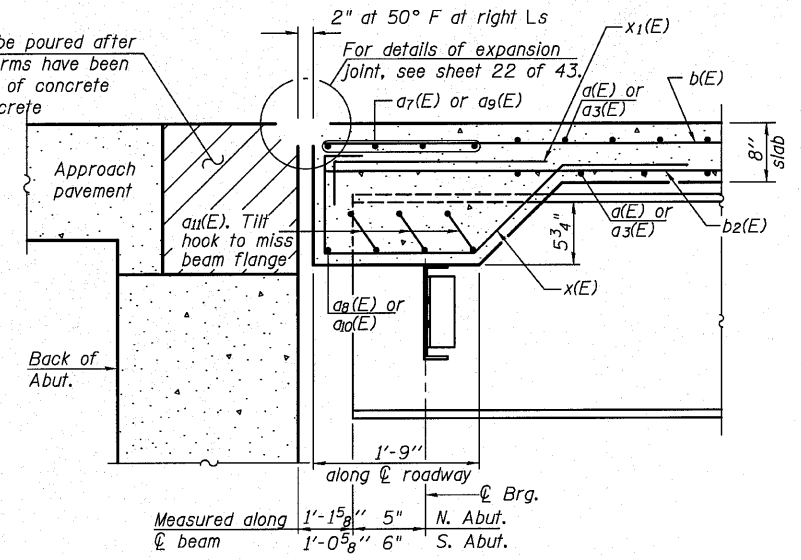
Showing E. Parapet, NB Structure

MINIMUM BAR LAP

(Parapet)
 #4 bar = 1'-4"
 #8 bar = 3'-5"



Hatched area to be poured after superstructure forms have been removed. Quantity of concrete included with Concrete Superstructure.



SECTION A-A

NOTES

See Sheet 21 of 43 for Parapet Joint Details, Drain Details and Section B-B.
 See Sheet 23 of 43 for Scupper Details.

SUPERSTRUCTURE DETAILS
 STRUCTURE NO. 028-0081 (SB)
 STRUCTURE NO. 028-0082 (NB)

COOMBE-BLOXDORF P.C. Engineers / Land Surveyors Springfield, Illinois Design Firm License No. 184-002703	PROJECT NO. 07062 DATE 11/12/08 DESIGN BY CME/GB DRAWN BY TFG CHECKED BY CME/MCB	SHEET NO. 20 43 SHEETS	F.A.I. RTE. 57 SECTION (28-3-1)VB-1	COUNTY FRANKLIN CONTRACT NO. 78068	TOTAL SHEETS 98 SHEET NO. 44
	FED. ROAD DIST. NO. 7 ILLINOIS FED. AID PROJECT				