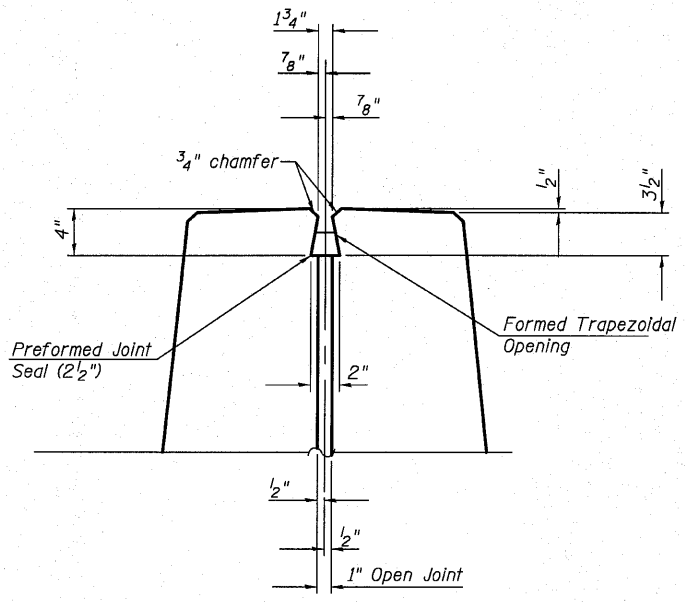
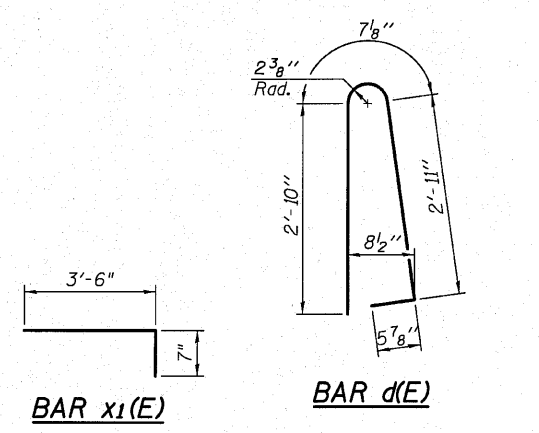


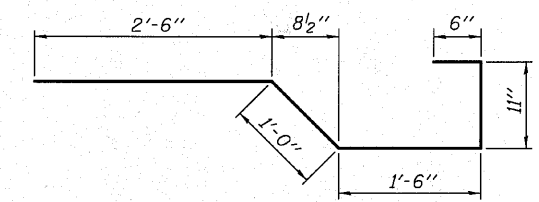
**SECTION AT INSIDE PARAPET**



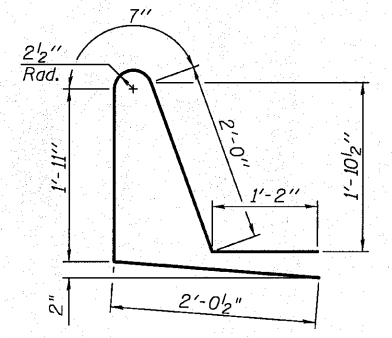
**DETAIL A**



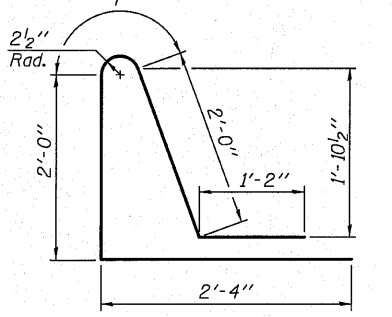
**BAR x1(E) BAR d(E)**



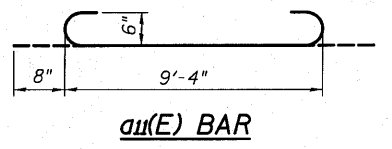
**BAR x(E)**



**BAR d1(E)**



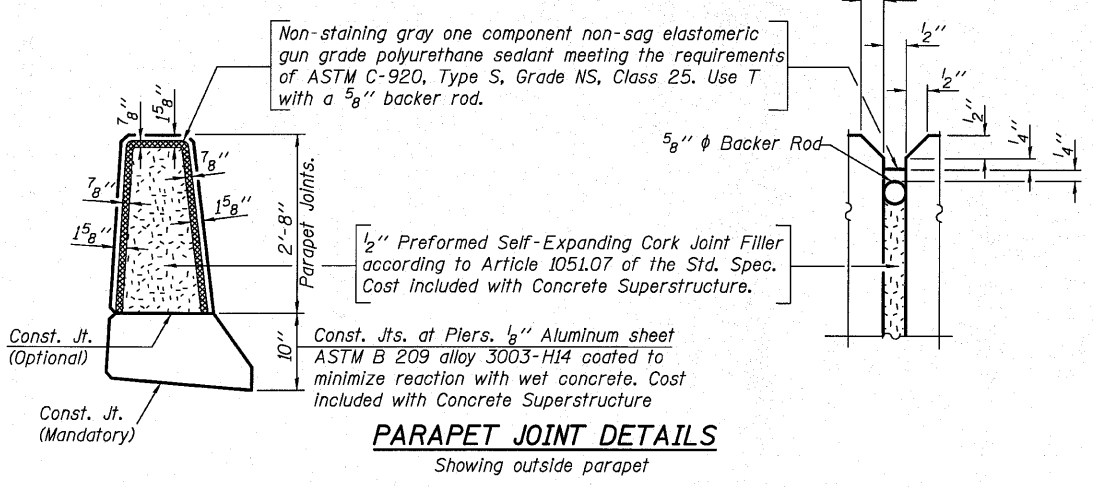
**BAR d2(E)**



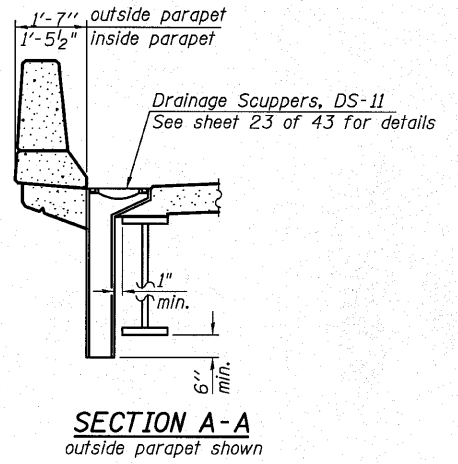
**a11(E) BAR**

**TWO SUPERSTRUCTURES  
BILL OF MATERIAL**

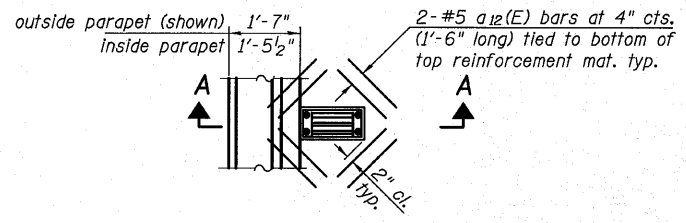
Bar	No.	Size	Length	Shape
a(E)	150	#5	28'-3"	—
a1(E)	480	#5	29'-5"	—
a2(E)	432	#5	28'-5"	—
a3(E)	172	#5	32'-6"	—
a4(E)	470	#5	32'-1"	—
a5(E)	420	#5	31'-1"	—
a6(E)	560	#6	6'-0"	—
a7(E)	32	#6	24'-3"	—
a8(E)	12	#6	16'-7"	—
a9(E)	32	#6	26'-4"	—
a10(E)	12	#6	18'-0"	—
a11(E)	108	#6	10'-8"	—
a12(E)	32	#5	1'-6"	—
b(E)	1040	#5	28'-3"	—
b1(E)	696	#6	15'-2"	—
b2(E)	918	#5	25'-3"	—
d(E)	936	#5	6'-10"	—
d1(E)	468	#5	7'-9"	—
d2(E)	468	#5	8'-1"	—
e(E)	168	#4	17'-0"	—
e1(E)	128	#4	10'-2"	—
e2(E)	112	#4	16'-8"	—
e3(E)	16	#8	27'-7"	—
e4(E)	16	#8	10'-2"	—
e5(E)	12	#8	24'-10"	—
e6(E)	16	#4	26'-6"	—
e7(E)	12	#4	23'-5"	—
x(E)	228	#5	6'-5"	—
x1(E)	240	#5	4'-1"	—
Reinforcement Bars, Epoxy Coated		Pound	171,530	
Concrete Superstructure		Cu. Yds.	836.6	
Bar Splicers		Each	1094	



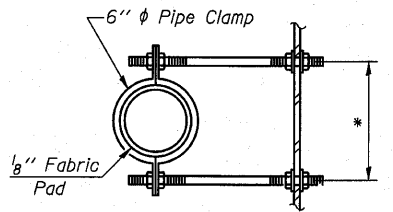
**PARAPET JOINT DETAILS**  
Showing outside parapet



**SECTION A-A**  
outside parapet shown

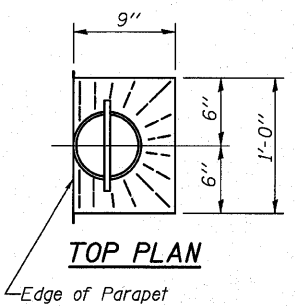


**PLAN AT SCUPPER LOCATIONS**  
Cut longitudinal reinforcement to clear drainage scuppers.

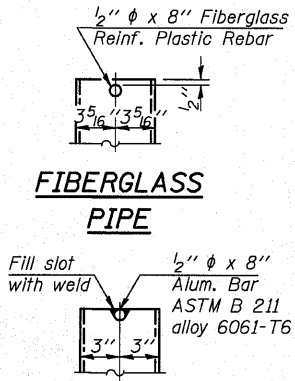


**SECTION B-B**

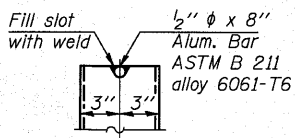
\*Dimension as required by Pipe Clamp



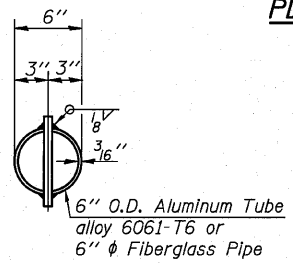
**TOP PLAN**



**FIBERGLASS PIPE**



**ALUMINUM TUBE**



**TOP PLAN**  
(Showing Aluminum Tube)

**Notes:**  
Drains shall be located clear of all diaphragms.  
The exterior surfaces of the floor drains shall be painted with the finish coat as specified in the special provisions for Cleaning and Painting New Metal Structures. The exterior surfaces of the drains shall be cleaned according to Society of Protective Coatings Spec. SSPC-SPI prior to painting.  
Fiberglass pipe shall conform to ASTM D 2996, with short-time rupture strength hoop tensile stress of 30,000 p.s.i. minimum.  
Galvanize clamping device according to AASHTO M332.

**SUPERSTRUCTURE DETAILS  
STRUCTURE NO. 028-0081 (SB)  
STRUCTURE NO. 028-0082 (NB)**

<b>COOMBE-BLOXDORF P.C.</b> Engineers / Land Surveyors Springfield, Illinois Design Firm License No. 184-002703	PROJECT NO. 07062 DATE 11/12/08 DESIGN BY CME/GB DRAWN BY TFG CHECKED BY CME/MCB	SHEET NO. 21 43 SHEETS	F.A.I. RTE. 57 SECTION (28-3-1)VB-1	COUNTY FRANKLIN CONTRACT NO. 78068	TOTAL SHEETS 98 SHEET NO. 45
	FED. ROAD DIST. NO. 7 ILLINOIS FED. AID PROJECT				