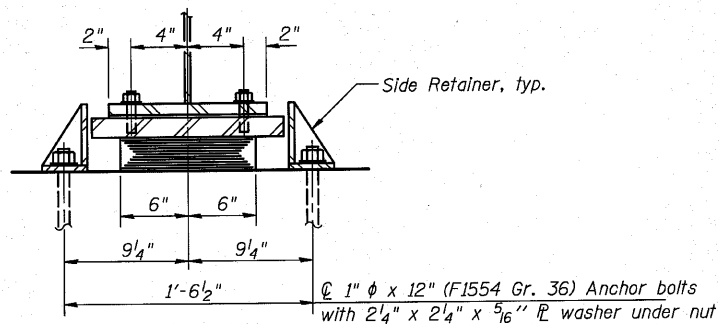
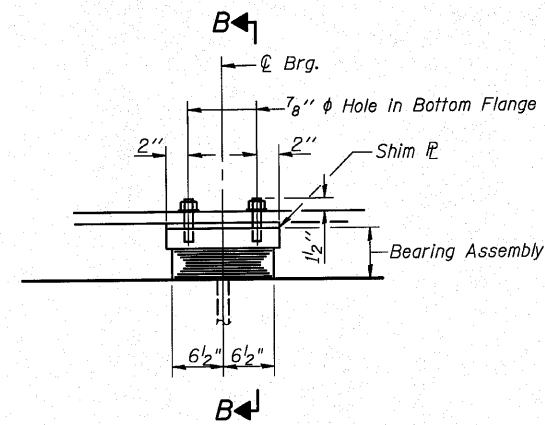


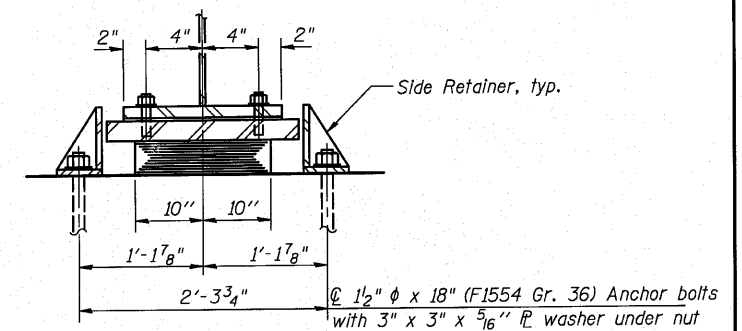
ELEVATION AT N. ABUT.



SECTION A-A



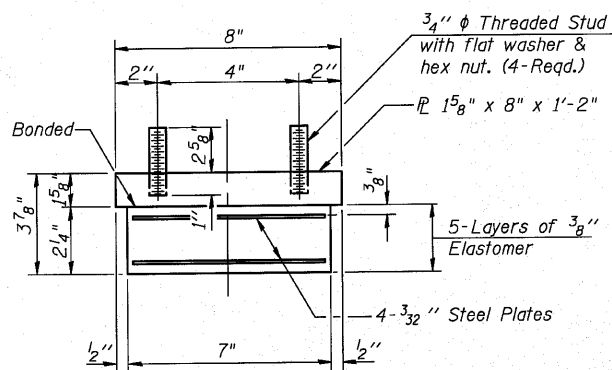
ELEVATION AT PIER 2



SECTION B-B

TYPE I ELASTOMERIC EXP. BRG.

TYPE I ELASTOMERIC EXP. BRG.



BEARING ASSEMBLY

Shim plates shall not be placed under Bearing Assembly.

NOTES

Anchor bolts shall be ASTM F1554 all-thread (or an Engineer-approved alternate material) of the grade(s) and diameter(s) specified. ASTM A307 Grade C anchor bolts may be used in lieu of ASTM F1554 Grade 36 (Fy=36ksi). The corresponding specified grade of AASHTO M314 anchor bolts may be used in lieu of ASTM F1554.

Anchor bolts at fixed bearings may be either cast in place or installed in holes drilled after the supported member is in place.

Anchor bolts for side retainers may be cast in place or installed in holes drilled before or after members are in place.

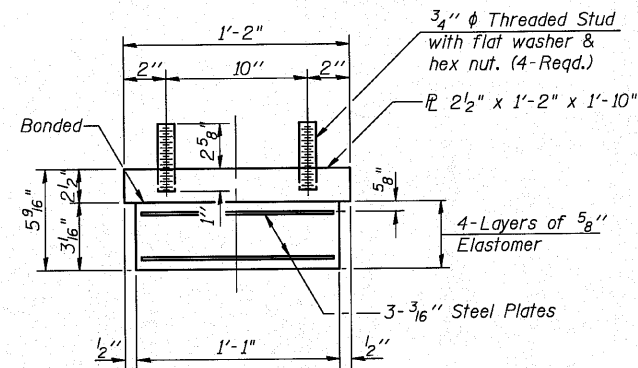
Drilled and set anchor bolts shall be installed according to Article 521.06 of the Standard Specifications.

Side retainers and other steel members required for the bearing assembly shall be included in the cost of Elastomeric Bearing Assembly, Type I.

The structural steel plates of the Bearing Assembly shall conform to the requirements of AASHTO M 270 Grade 50.

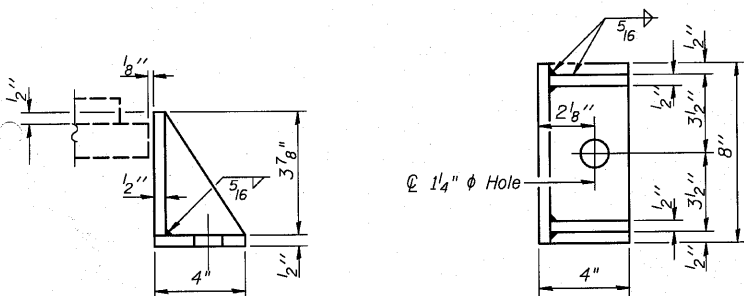
Two 1/8 in. adjusting shims shall be provided for each bearing in addition to all other plates or shims and placed as shown on bearing details.

See Sheet 28 of 43 for Shim Plate Schedule.



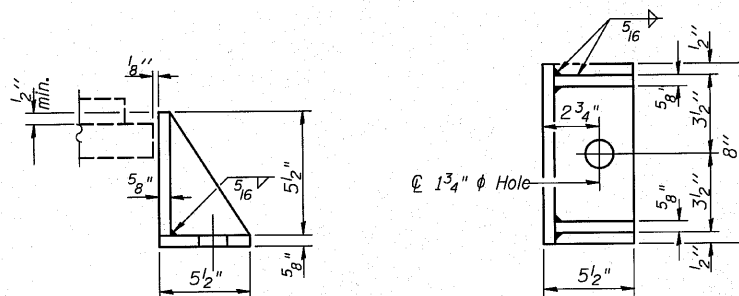
BEARING ASSEMBLY

Shim plates shall not be placed under Bearing Assembly.



SIDE RETAINER N. ABUT.

Equivalent rolled angle with stiffeners will be allowed in lieu of welded plates.



SIDE RETAINER PIER 2

Equivalent rolled angle with stiffeners will be allowed in lieu of welded plates.

**TWO STRUCTURES
BILL OF MATERIAL**

Item	Unit	Total
Elastomeric Bearing Assembly Type I	Each	40
Anchor Bolts, 1" φ	Each	40
Anchor Bolts, 1/2" φ	Each	40

**BEARING DETAILS
STRUCTURE NO. 028-0081 (SB)
STRUCTURE NO. 028-0082 (NB)**

COOMBE-BLOXDORF P.C. Engineers / Land Surveyors Springfield, Illinois Design Firm License No. 184-002703	PROJECT NO. 07062 DATE 11/12/08 DESIGN BY CME/GB DRAWN BY TFG CHECKED BY CME/MCB	SHEET NO. 27 43 SHEETS	F.A.I. RTE. 57 SECTION (28-3-1)VB-1 COUNTY FRANKLIN CONTRACT NO. 78068 FED. ROAD DIST. NO. 7 ILLINOIS FED. AID PROJECT	TOTAL SHEETS 98 SHEET NO. 51
--	--	-------------------------------	--	---------------------------------