

STATE OF ILLINOIS  
DEPARTMENT OF TRANSPORTATION


SB SOUTH ABUTMENT  
BILL OF MATERIAL

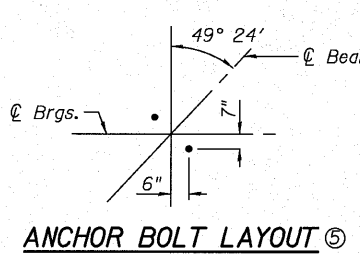
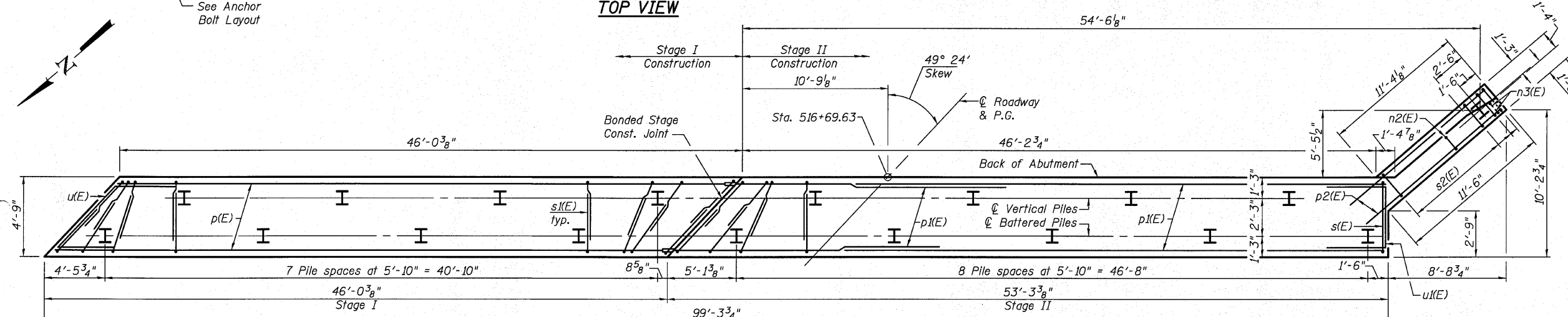
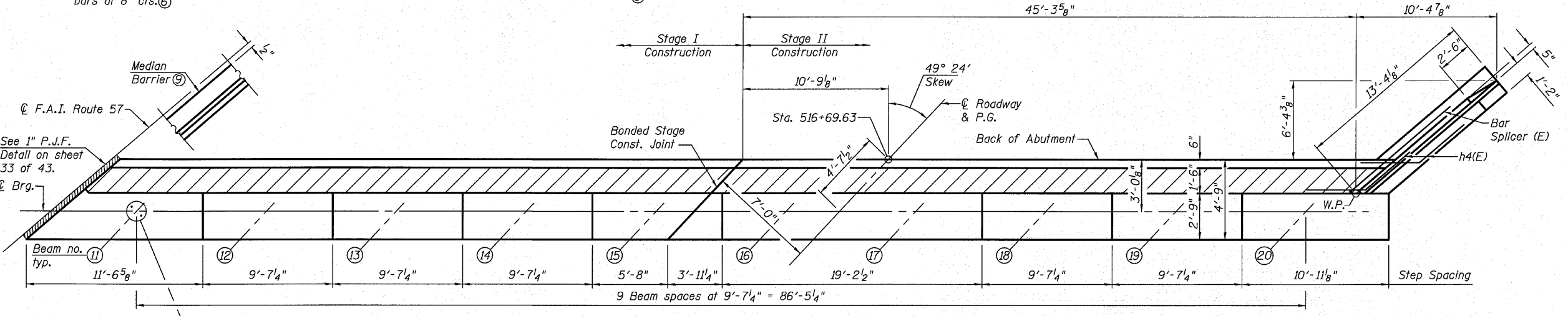
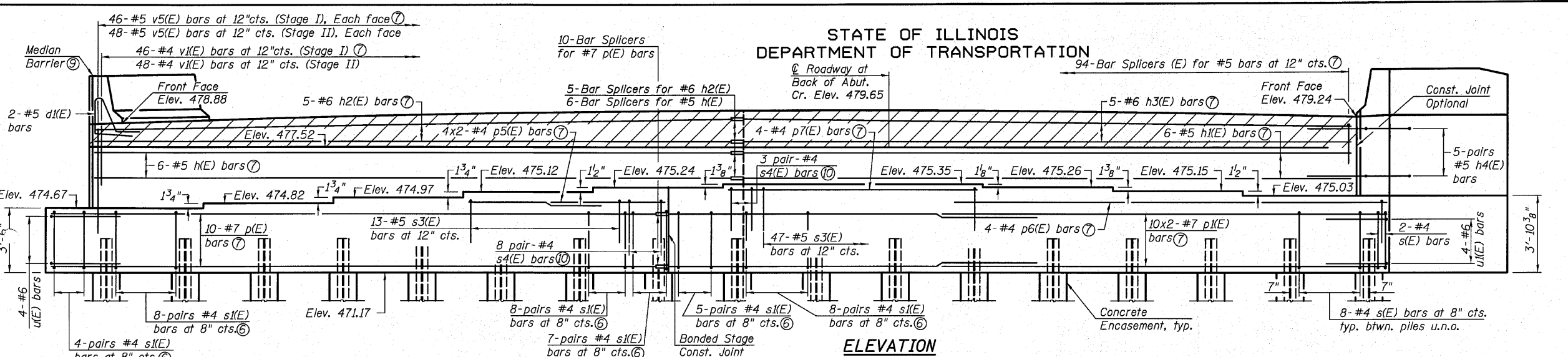
Bar	No.	Size	Length	Shape
d(E)	2	#5	7'-9"	
h(E)	6	#5	45'-8"	
h1(E)	6	#5	47'-3"	
h2(E)	5	#6	45'-8"	
h3(E)	5	#6	47'-3"	
h4(E)	10	#5	9'-0"	
h5(E)	8	#4	11'-2"	
h6(E)	6	#4	12'-9"	
h7(E)	2	#4	12'-0"	
n2(E)	9	#6	11'-8"	
n3(E)	6	#6	5'-10"	
p(E)	10	#7	45'-8"	
p1(E)	20	#7	28'-11"	
p2(E)	6	#7	12'-11"	
p5(E)	8	#4	10'-11"	
p6(E)	4	#4	31'-4"	
p7(E)	4	#4	18'-10"	
s(E)	98	#4	15'-11"	
s1(E)	80	#4	11'-4"	
s2(E)	17	#4	9'-5"	
s3(E)	60	#5	7'-9"	
s4(E)	22	#5	5'-11"	
u(E)	4	#6	13'-10"	
u1(E)	4	#6	11'-6"	
v1(E)	94	#4	3'-0"	
v5(E)	188	#5	5'-9"	
v6(E)	12	#6	6'-11"	
v7(E)	11	#6	7'-4"	
v8(E)	3	#6	6'-2"	
Structure Excavation		Cu. Yd.	42	
Concrete Structures		Cu. Yd.	93.0	
Concrete Encasement		Cu. Yd.	6.3	
Reinforcement Bars, Epoxy Coated		Pound	8,310	
Furnishing Steel Piles HP12x53		Foot	765	
Driving Piles		Foot	765	
Test Pile Steel HP12x53		Each	1	
Concrete Sealer		Sq. Ft.	794	

PILE DATA

Type: HP12x53  
Nominal Required Bearing: 419 Kip  
Factored Resistance Available: 139 Kip  
Est. Length: 45'  
No. Production Piles: 17  
No. Test Piles: 1

SOUTH ABUTMENT DETAILS  
SB STRUCTURE  
STRUCTURE NO. 028-0081

SHEET NO. 31 43 SHEETS	F.A.I. RTE. 57	SECTION (28-3-1)VB-1	COUNTY FRANKLIN	TOTAL SHEETS 98	SHEET NO. 55
	CONTRACT NO. 78068				
FED. ROAD DIST. NO. 7 ILLINOIS FED. AID PROJECT					
 GATES ASSOCIATES Consulting Engineers			Eastport Business Center 1 100 Lanter Court, Suite 1 Collinsville, Illinois 62234 618-345-2200 Design Firm License No. 184.001115		
DESIGNED JAD			CHECKED MJP		
DRAWN JAD			CHECKED MJP		



- Notes:
- For details of Bar Splicers, see sheet 40 of 43.
  - For details of piles and Concrete Encasement, See sheet 39 of 43.
  - For wingwall reinforcing locations and details. See sheet 33 of 43.
  - All edges shall have standard 3/4" chamfer.
  - Space reinforcement in cap to miss anchor bolts.
  - Fan s1(E) bars as required. Lap length varies to accommodate skew. Minimum lap length is 1'-4".
  - See Sec. Thru. Abut. on sheet 33 of 43 for bar locations.
  - Min. bar lap: #7 bars = 4'-10".
  - Median barrier to be poured with approach pavement.
  - Fan s4(E) bars as required. Lap length varies to accommodate skew. Minimum lap length is 1'-8".
  - Cut p7(E) bars in the field as required to fit.
  - Bars indicated thus 10 x 2-#7 etc. indicates 10 lines of bars with 2 lengths per line.