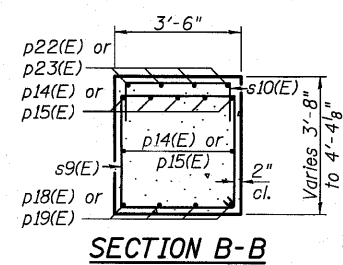


STATE OF ILLINOIS  
DEPARTMENT OF TRANSPORTATION

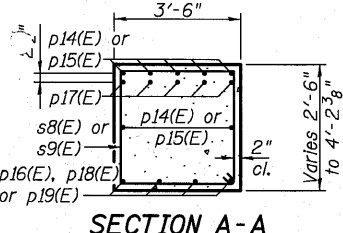
92'-6"

43'-3" Stage I

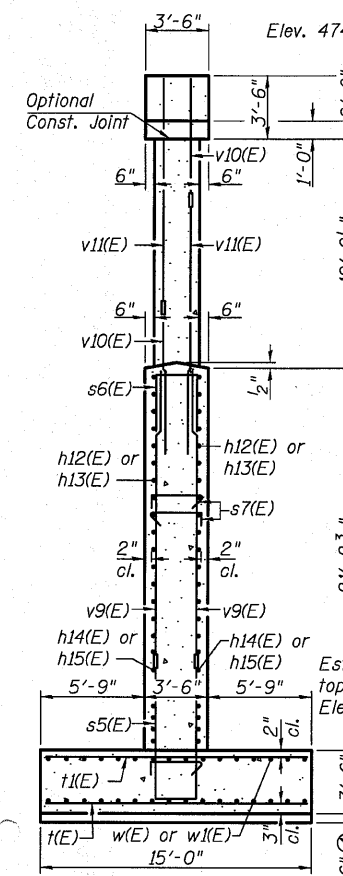
49'-3" Stage II



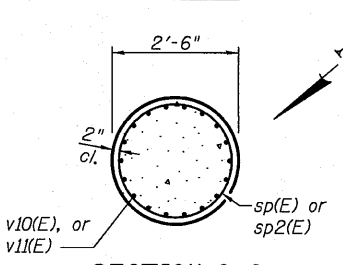
SECTION B-B



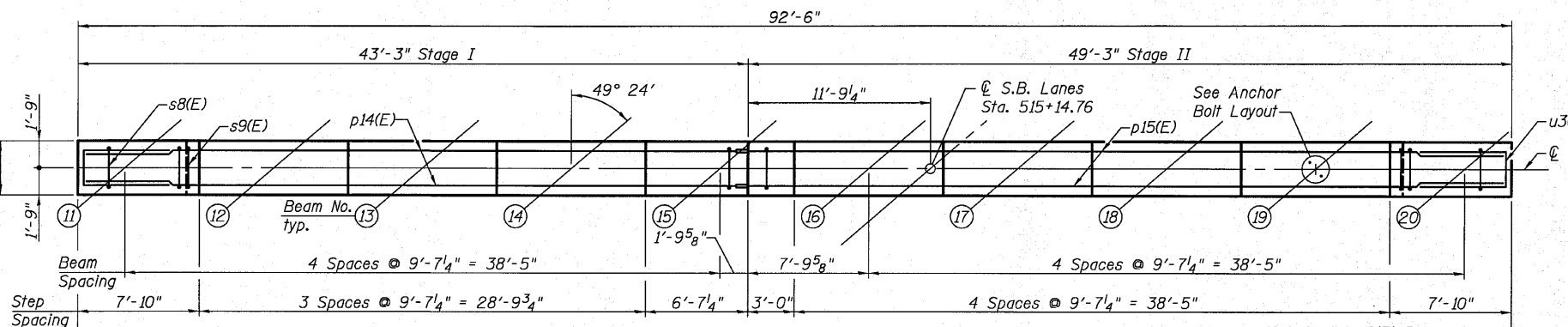
SECTION A-A



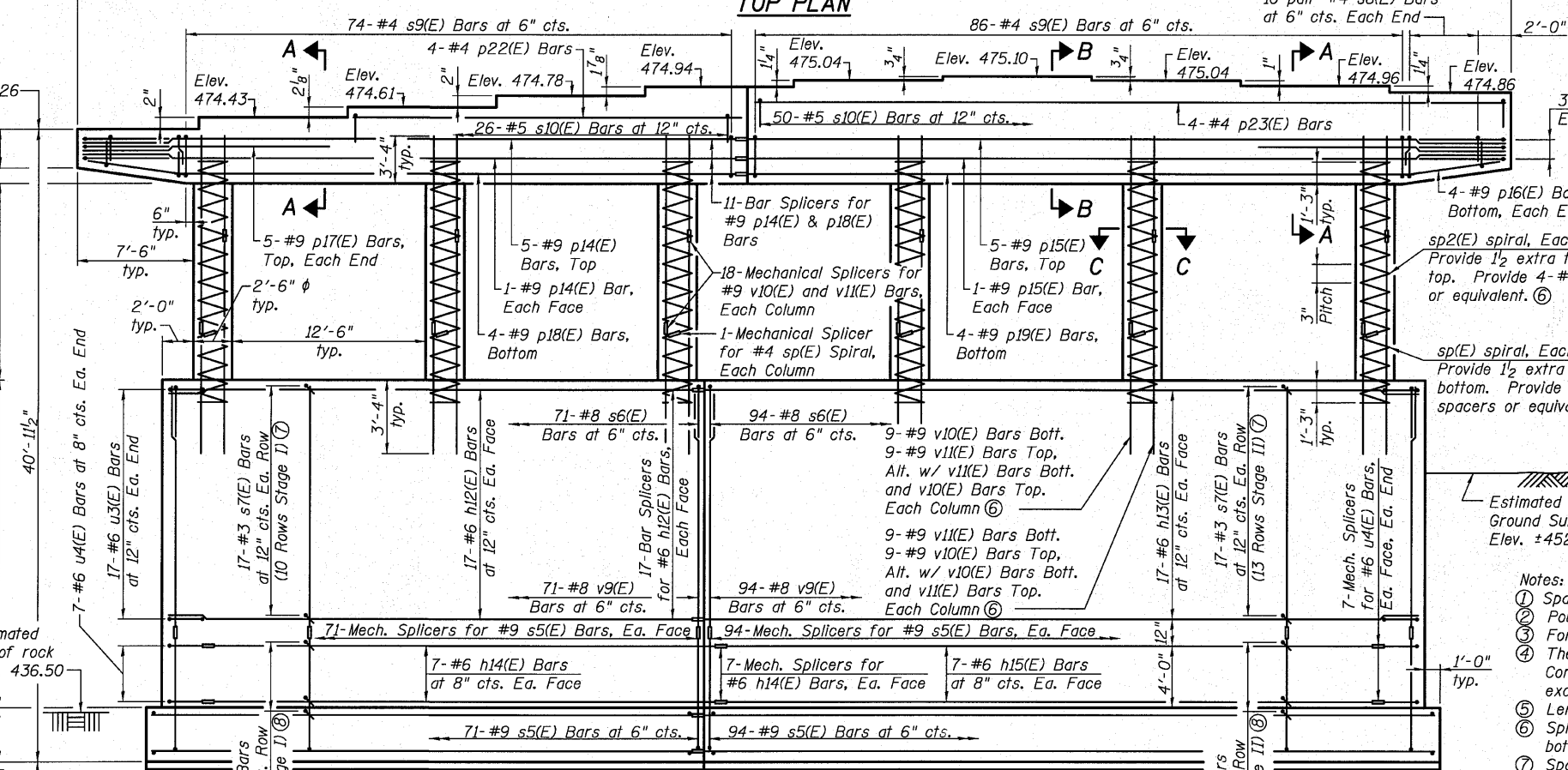
END VIEW



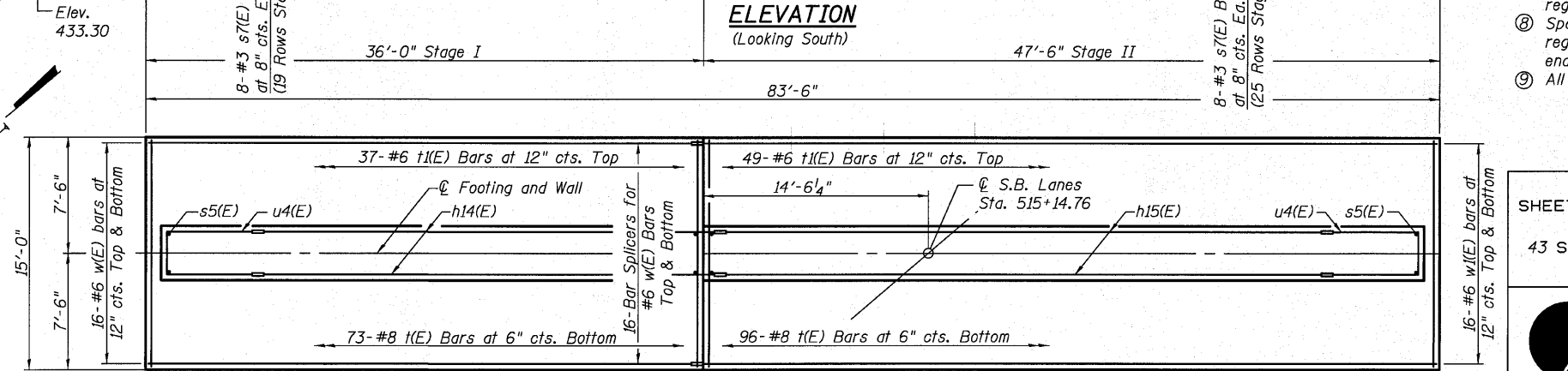
SECTION C-C



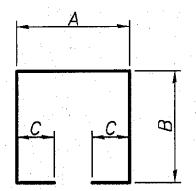
TOP PLAN



ELEVATION  
(Looking South)



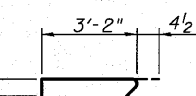
FOOTING PLAN



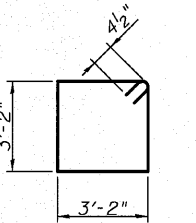
BARS

A, B & C DIMENSIONS

Bar	A	B	C
s5(E)	2'-11"	7'-11"	-
s6(E)	2'-11"	3'-8"	-
s8(E)	3'-2"	2'-3"	-
s10(E)	3'-2"	1'-0"	-
u3(E)	3'-1"	2'-10"	1'-0"
u4(E)	3'-1"	2'-10"	-



BAR s7(E)



BAR s9(E)

ANCHOR BOLT LAYOUT

- Notes:
- Space reinforcement in cap to miss anchor bolts.
  - Four steps monolithically with cap.
  - For details of Bar Splicers, see sheet 40 of 43.
  - The footing excavations shall be undercut by 6" and immediately filled with Seal Coat Concrete to prevent degradation of the exposed foundation material surface. Undercut excavation shall be paid for as Rock Excavation for Structures.
  - Length is height of spiral.
  - Splicing of reinforcement is prohibited in the top and bottom 2'-6" of the column and bottom 4'-0" of the crashwall.
  - Space rows of s7(E) bars with every eighth v9(E) bar outside of plastic hinge region of crashwall. Alternate s7(E) bars end for end as shown in End View.
  - Space rows of s7(E) bars with every fourth v9(E) bar inside of plastic hinge region of crashwall with one line of bars cast in top of footing. Alternate s7(E) bars end for end as shown in End View.
  - All edges shall have standard 3/4" chamfer.

BILL OF MATERIAL

Bar	No.	Size	Length	Shape
h12(E)	34	#6	34'-8"	—
h13(E)	34	#6	46'-2"	—
h14(E)	14	#6	33'-0"	—
h15(E)	14	#6	42'-6"	—
p14(E)	7	#9	42'-11"	—
p15(E)	7	#9	48'-11"	—
p16(E)	8	#9	6'-10"	—
p17(E)	10	#9	16'-1"	—
p18(E)	4	#9	35'-11"	—
p19(E)	4	#9	41'-11"	—
p22(E)	4	#4	25'-5"	—
p23(E)	4	#4	48'-11"	—
s5(E)	165	#9	18'-9"	U
s6(E)	165	#8	10'-3"	U
s7(E)	743	#3	3'-11"	U
s8(E)	40	#4	7'-8"	U
s9(E)	160	#4	13'-5"	U
s10(E)	76	#5	5'-2"	U
sp(E)	6	#4	4'-3"	AAA
sp2(E)	6	#4	11'-1"	AAA
t(E)	169	#8	14'-8"	—
t1(E)	86	#6	14'-8"	—
u3(E)	40	#6	10'-9"	U
u4(E)	14	#6	8'-9"	U
v9(E)	330	#8	16'-3"	—
v10(E)	108	#9	6'-4"	—
v11(E)	108	#9	13'-1"	—
w(E)	32	#6	35'-8"	—
w1(E)	32	#6	47'-2"	—
Rock Excavation for Structures		Cu. Yd.	172	
Seal Coat Concrete		Cu. Yd.	23.2	
Concrete Structures		Cu. Yd.	448.0	
Reinforcement Bars, Epoxy Coated		Pound	64,510	
Braced Excavation		Cu. Yd.	973	

PIER 1 DETAILS  
SB STRUCTURE

STRUCTURE NO. 028-0081 (SB)

SHEET NO. 35 43 SHEETS	F.A.I. RTE. 57	SECTION (28-3-1)VB-1	COUNTY FRANKLIN	TOTAL SHEETS 98	SHEET NO. 59
	CONTRACT NO. 78068				
FED. ROAD DIST. NO. 7 ILLINOIS FED. AID PROJECT					
 OATES ASSOCIATES Consulting Engineers	Eastport Business Center 1 100 Lanter Court, Suite 1 Collinsville, Illinois 62234 618-345-2200 Design Firm License No. 184.001115			DESIGNED DGL CHECKED MJP DRAWN DGL CHECKED MJP	