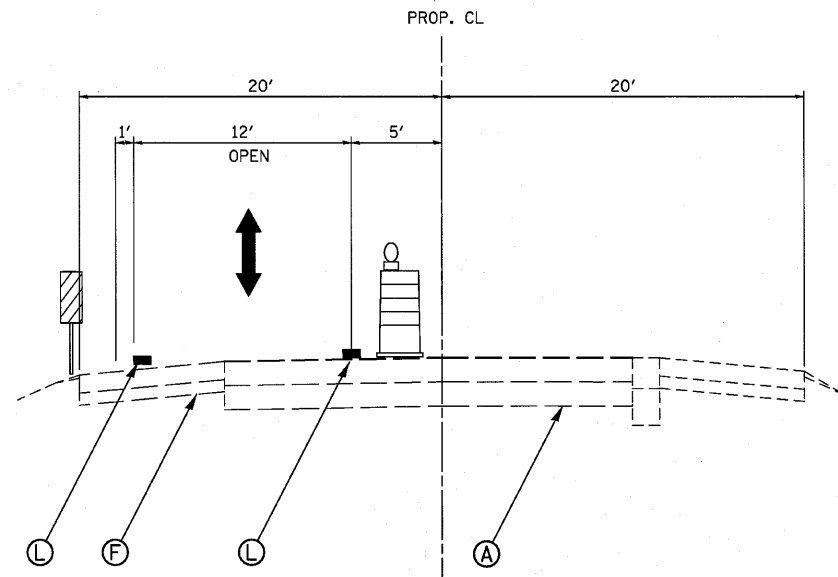
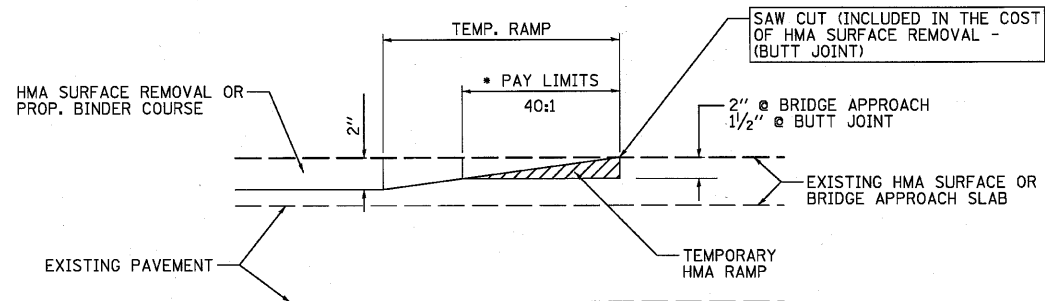


STAGING TYPICAL SECTIONS



STAGE 2 LANE SHIFT

STA. 935+09 TO STA. 937+25
STA. 949+50 TO STA. 951+10



TYPICAL TEMPORARY RAMP

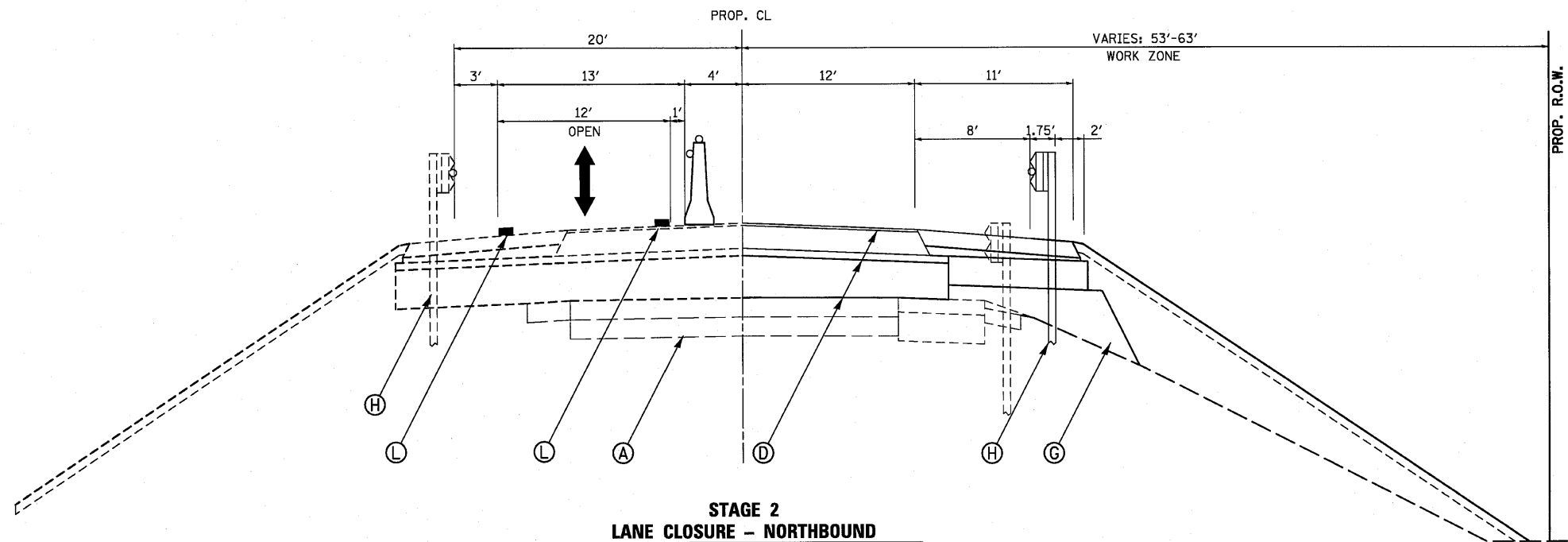
HMA CONSTRUCTED TEMPORARY RAMP
(FOR BUTT JOINT AND HMA TAPER)
• 6'-6" BRIDGE APPROACHS
5'-0" BUTT JOINTS

LEGEND

- (A) EXIST. PAVEMENT STRUCTURE
- (B) EXIST. PAVEMENT AND SHOULDER STRUCTURE - TO BE REMOVED
- (C) EXIST. GUARDRAIL W/PROP. GUARDRAIL MARKERS
- (D) PROP. PAVEMENT STRUCTURE (AGGREGATE BASE/HMA BINDER)
- (E) PROP. SURFACE COURSE
- (F) PROP. HOT MIX ASPHALT SHOULDER/AGGREGATE BASE COURSE
- (G) PROP. AGGREGATE SUB-BASE
- (H) PROP. STEEL PLATE BEAM GUARDRAIL, TYPE A W/GUARDRAIL MKRS.
- (I) PROP. BASE COURSE WIDENING
- (J) TEMPORARY PAVEMENT
- (K) AGGREGATE WEDGE SHOULDER, TYPE B
- (L) TEMPORARY PAVEMENT MARKING LINE
- (M) SAWCUT - FULL DEPTH
- (N) SHORT-TERM PAVEMENT MARKINGS

STAGE 2

- SET UP STAGE 2 LANE SHIFT AND TRAFFIC CONTROL PLAN (SEE STAGE 2 MOT PLANS).
- RELOCATE AND SET TEMPORARY CONCRETE BARRIER WALL.
- RELOCATE AND SET TEMPORARY BRIDGE SIGNALS.
- INSTALL EROSION CONTROL DEVICES AS REQUIRED PRIOR TO BEGINNING CONSTRUCTION ACTIVITIES
- REMOVE EXISTING GUARDRAIL RIGHT OF THE CENTERLINE.
- CONSTRUCT BRIDGE AND APPROACH SLAB RIGHT OF CENTERLINE
- CONSTRUCT SUBGRADE, AGGREGATE BASE COURSES, AND PAVEMENTS (BINDER COURSE ONLY) RIGHT OF CENTERLINE.
- CONSTRUCT THE STEEL PLATE BEAM GUARDRAIL AND END TREATMENTS, RIGHT OF CENTERLINE. CONSTRUCT HEIGHT OF GUARDRAIL BASED ON THE 2" SURFACE COURSE TO BE PLACED IN STAGE 3.
- PLACE TOPSOIL, SEEDING AND BLANKET RIGHT OF THE CENTERLINE IN ITS ENTIRETY.



STAGE 2 LANE CLOSURE - NORTHBOUND

STA. 936+67 TO STA. 942+16
STA. 944+99 TO STA. 949+96

FILE NAME = F:\DBBEL_WEST_Projects\2009\12\4100_409_11_40\Civil\Drawings\Shk\0284854-shk-mot-typical2.dgn

WBK WILLS BURKE KELSEY ASSOCIATES LTD.
116 West Main Street, Suite 201
St. Charles, Illinois 60174
(630) 443-7755

USER NAME = #USER#	DESIGNED -	REVISED -
PLOT SCALE =	DRAWN -	REVISED -
PLOT DATE = 8/2/2010	CHECKED -	REVISED -
	DATE - 8/6/10	REVISED -

STATE OF ILLINOIS
DEPARTMENT OF TRANSPORTATION

MAINTENANCE OF TRAFFIC
TYPICAL SECTIONS

SCALE: SHEET NO. 12 OF 90 SHEETS STA. TO STA.

F.A. RTE.	SECTION	COUNTY	TOTAL SHEETS	SHEET NO.
646	BBR-1	WHITESIDE	90	12
CONTRACT NO. 84854				
FED. ROAD DIST. NO. 2 ILLINOIS FED. AID PROJECT				