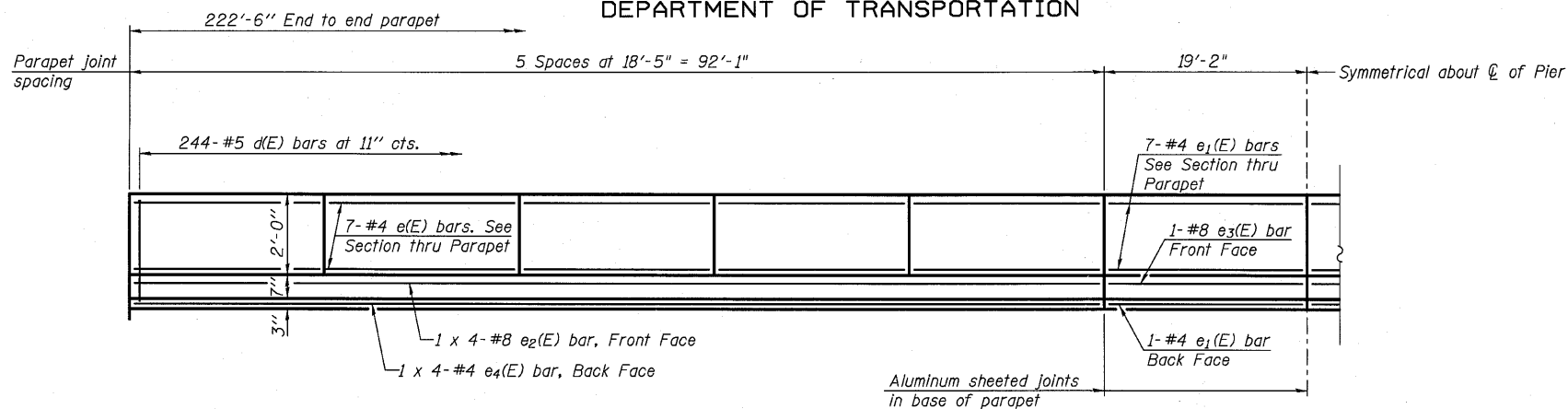


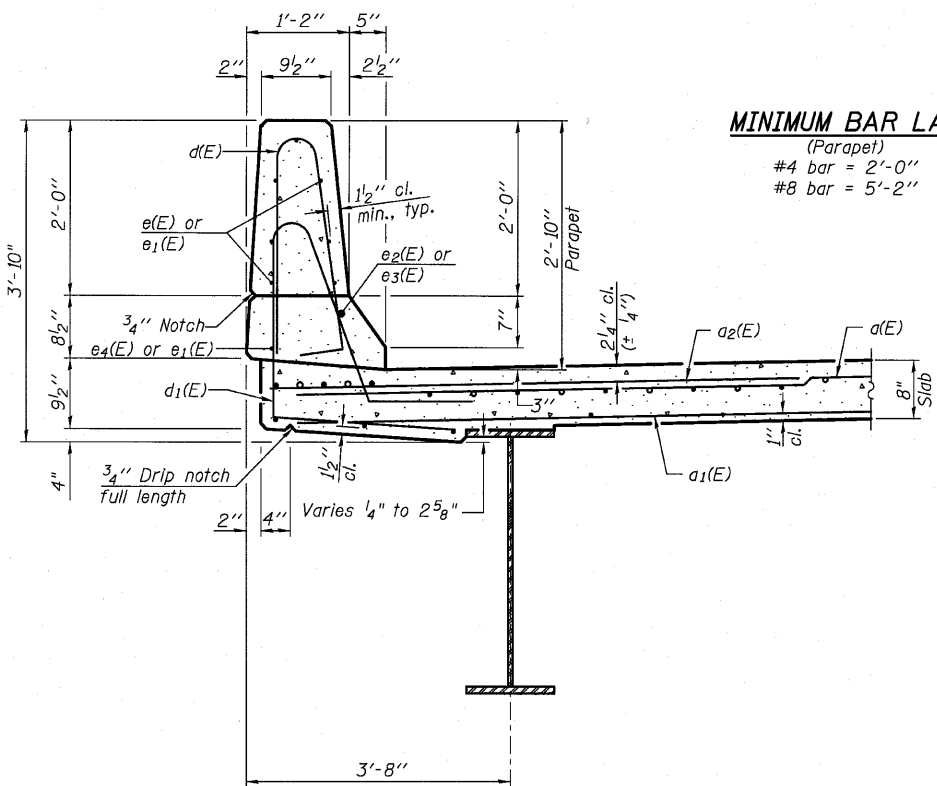
STATE OF ILLINOIS
DEPARTMENT OF TRANSPORTATION



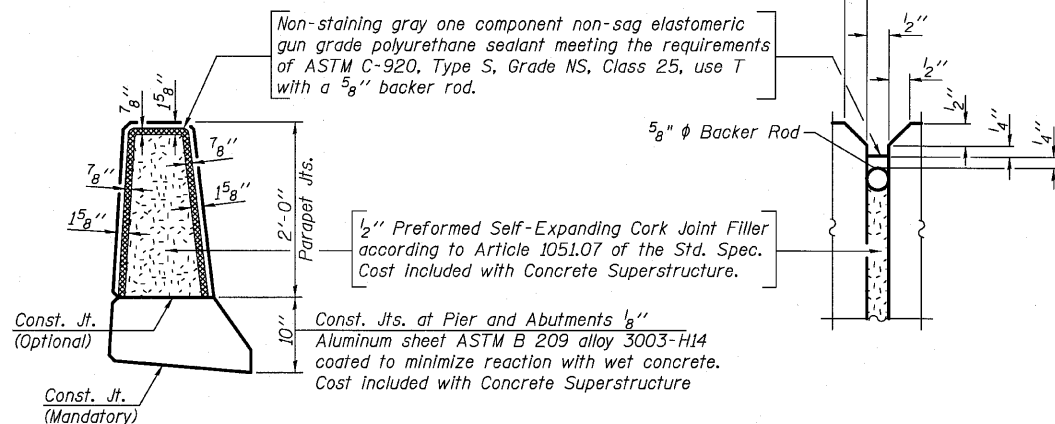
INSIDE ELEVATION OF PARAPET

MINIMUM BAR LAP

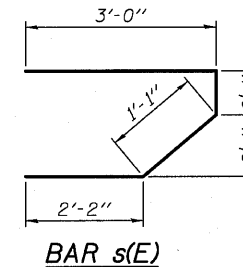
(Parapet)
#4 bar = 2'-0"
#8 bar = 5'-2"



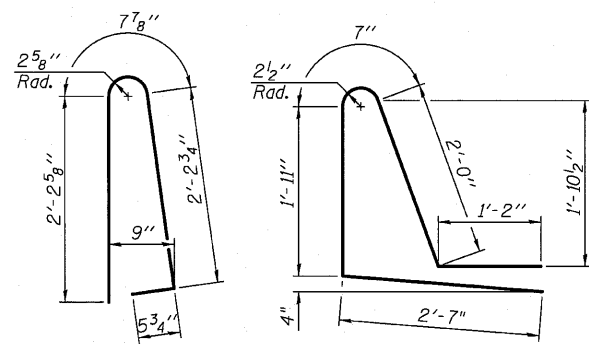
SECTION THRU PARAPET



PARAPET JOINT DETAILS

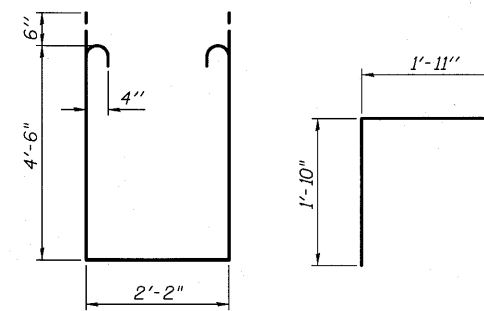


BAR s(E)



BAR d(E)

BAR d1(E)



BAR s1(E)

BAR v(E)

SUPERSTRUCTURE
BILL OF MATERIAL

Bar	No.	Size	Length	Shape
d(E)	892	#5	21'-1"	—
a1(E)	596	#5	20'-6"	—
a2(E)	892	#6	6'-6"	—
b(E)	368	#5	30'-1"	—
b1(E)	126	#6	25'-4"	—
b2(E)	342	#5	27'-0"	—
d(E)	488	#5	5'-7"	┘
d1(E)	488	#5	8'-3"	┘
e(E)	140	#4	18'-1"	—
e1(E)	32	#4	18'-10"	—
e2(E)	16	#8	26'-10"	—
e3(E)	4	#8	18'-10"	—
e4(E)	16	#4	24'-6"	—
m(E)	20	#6	21'-3"	—
m1(E)	16	#6	10'-6"	—
m2(E)	8	#6	6'-10"	—
m3(E)	8	#6	3'-3"	—
m4(E)	8	#6	8'-9"	—
s(E)	96	#5	6'-10"	┘
s1(E)	88	#4	12'-2"	┘
v(E)	92	#5	3'-9"	┘

Reinforcement Bars, Epoxy Coated	Pound	80,660
Concrete Superstructure	Cu. Yds.	344.6

Bars indicated thus 1 x 4 - #8 etc. indicates 1 line of bars with 4 lengths per line.

SUPERSTRUCTURE DETAILS
STRUCTURE NO. 098-0117

DESIGNED -	AEU
CHECKED -	MH/DLS
DRAWN -	AWH
CHECKED -	AEU

WILLS BURKE KELSEY ASSOCIATES LTD.
116 West Main Street, Suite 201
St. Charles, Illinois 60174
(630) 443-7755

SHEET NO. 11
26 SHEETS

F.A.P. RTE.	SECTION	COUNTY	TOTAL SHEETS	SHEET NO.
646	8BR-1	WHITESIDE	90	45
CONTRACT NO. 84854				
ILLINOIS FED. AID PROJECT				