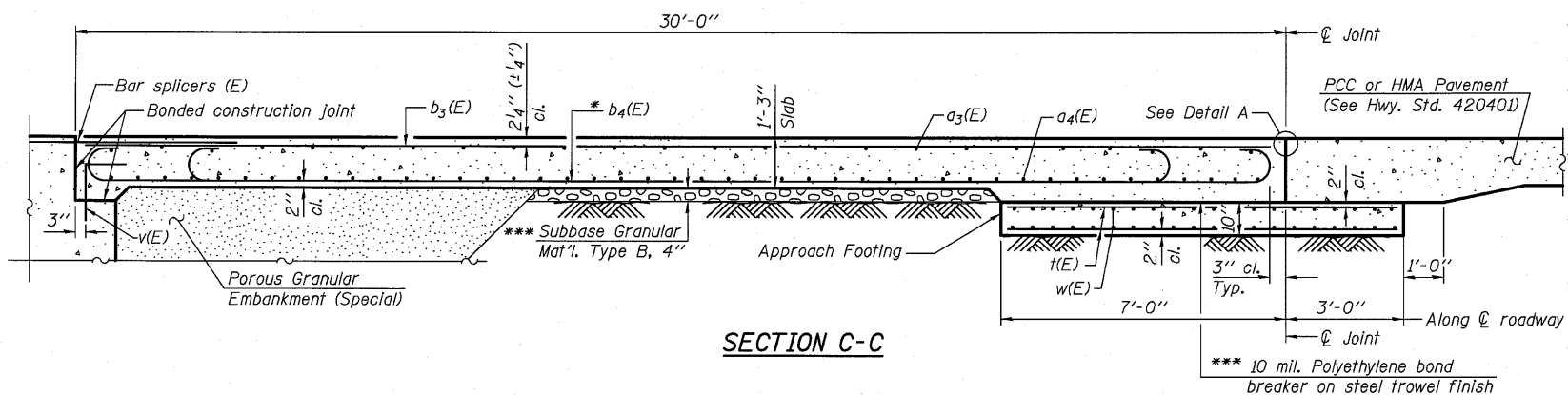
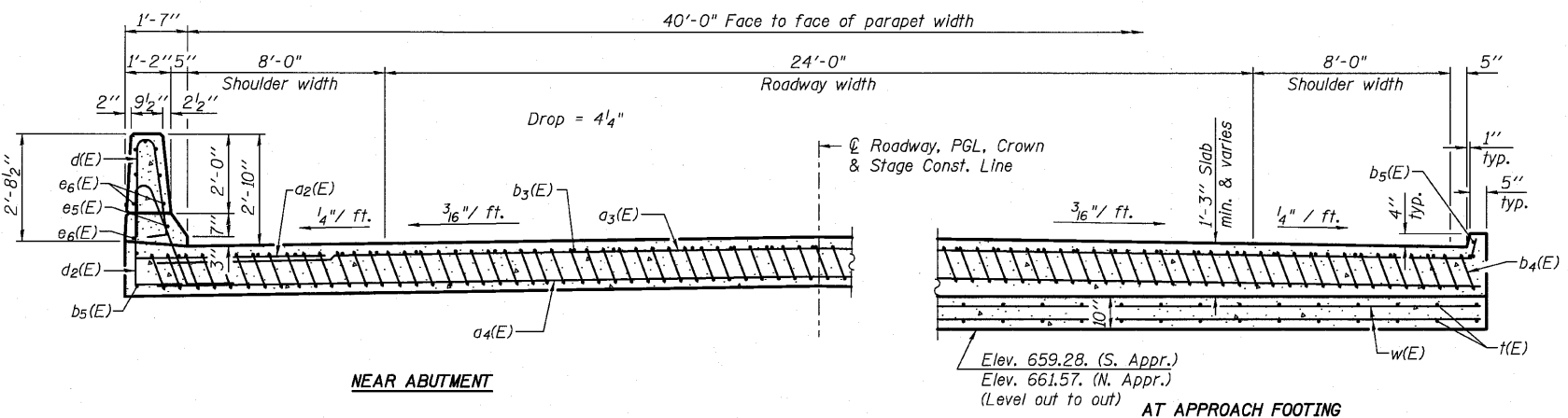


STATE OF ILLINOIS
DEPARTMENT OF TRANSPORTATION



SECTION C-C

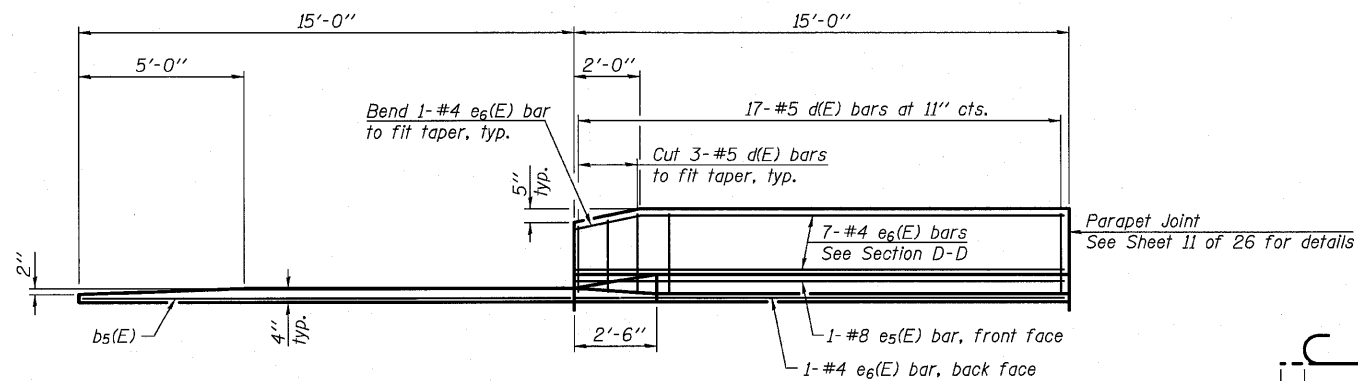


NEAR ABUTMENT

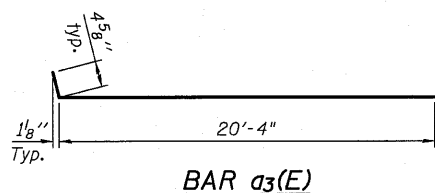
SECTION D-D

(See Plan for dimensions not shown)

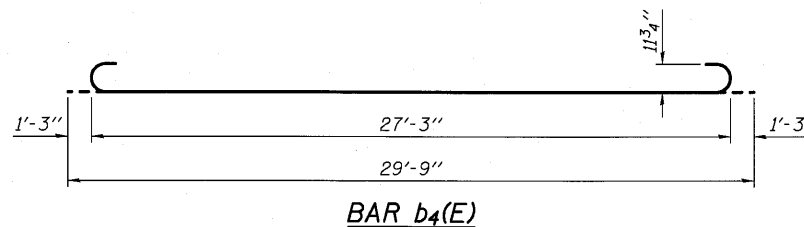
AT APPROACH FOOTING



VIEW E-E



BAR a3(E)

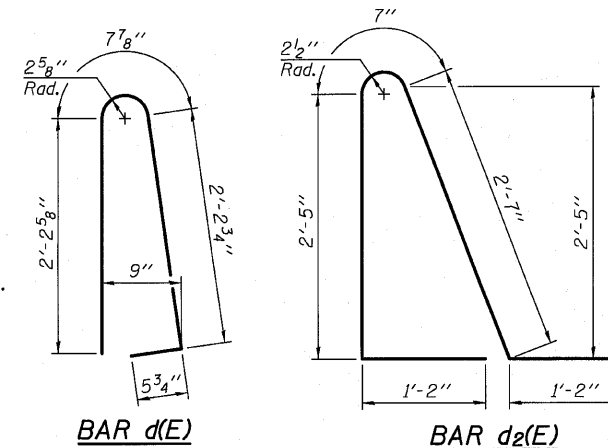


BAR b4(E)

Notes:

- See sheet 12 of 26 for Detail A.
- Approach slab and parapet concrete shall be paid for as Concrete Superstructure.
- Approach footing concrete shall be paid for as Concrete Structures.
- Reinforcement shall be paid for as Reinforcement Bars, Epoxy Coated.
- For v(E) bar details, see sheet 11 of 26.
- The approach footing maximum applied service bearing pressure (Qmax) = 2.0 ksf.
- For bar splicer details, see sheet 22 of 26.
- Cost of excavation for approach footing included with Concrete Structures.
- For Porous Granular Embankment (Special) and drainage treatment details, see sheet 2 of 26.
- For additional parapet details, see sheet 11 of 26.

- * Tilt #9 b4(E) bars as required to maintain clearance.
- *** Cost included with Concrete Superstructure.



BAR d(E)

BAR d2(E)

TWO APPROACHES
BILL OF MATERIAL

Bar	No.	Size	Length	Shape
a2(E)	48	#6	6'-6"	—
a3(E)	100	#4	20'-9"	—
a4(E)	184	#5	20'-7"	—
b3(E)	72	#4	29'-8"	—
b4(E)	196	#9	29'-9"	—
b5(E)	8	#4	14'-8"	—
d(E)	68	#5	5'-7"	—
d2(E)	68	#5	7'-11"	—
e5(E)	4	#8	14'-8"	—
e6(E)	32	#4	14'-8"	—
t(E)	176	#4	9'-8"	—
w(E)	160	#5	20'-7"	—
Concrete Superstructure		Cu. Yd.	133.2	
Concrete Structures		Cu. Yd.	25.8	
Reinforcement Bars, Epoxy Coated		Pound	33,130	

(Sheet 2 of 2)
BRIDGE APPROACH SLAB DETAILS
STRUCTURE NO. 098-0117

DESIGNED -	AEU
CHECKED -	MH/DLS
DRAWN -	AWH
CHECKED -	AEU

WILLS BURKE KELSEY ASSOCIATES LTD.
116 West Main Street, Suite 201
St. Charles, Illinois 60174
(630) 443-7755

SHEET NO. 13
26 SHEETS

F.A.P. RTE.	SECTION	COUNTY	TOTAL SHEETS	SHEET NO.
646	8BR-1	WHITESIDE	90	47
CONTRACT NO. 84854				
ILLINOIS FED. AID PROJECT				