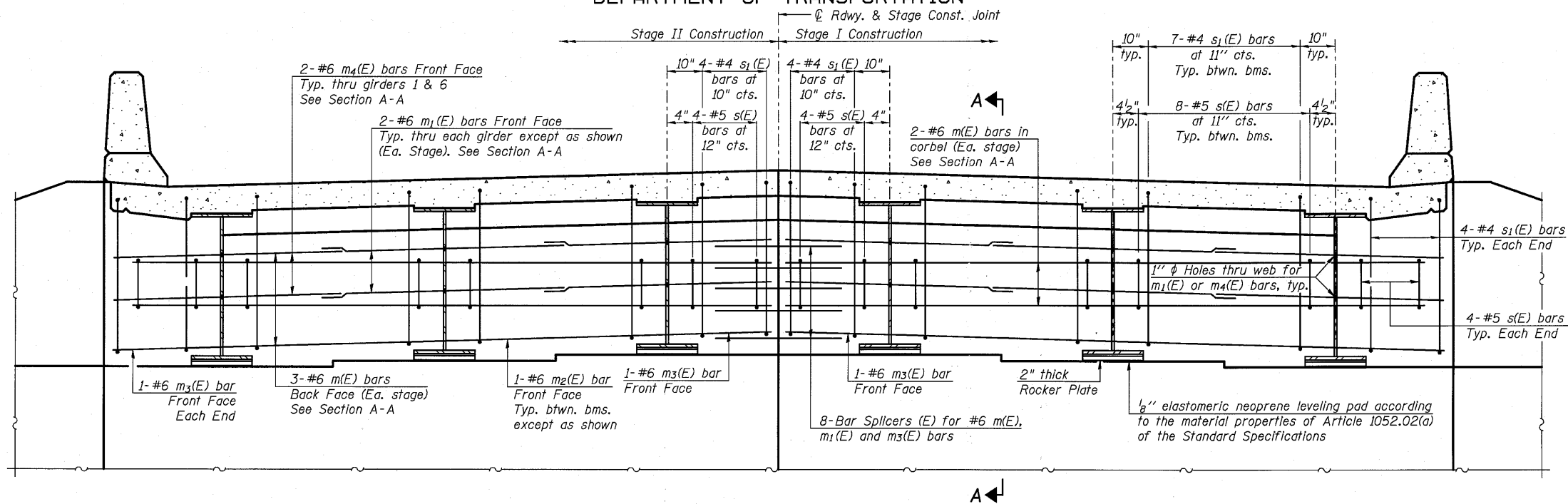


STATE OF ILLINOIS
DEPARTMENT OF TRANSPORTATION



DIAPHRAGM ELEVATION AT SOUTH ABUTMENT

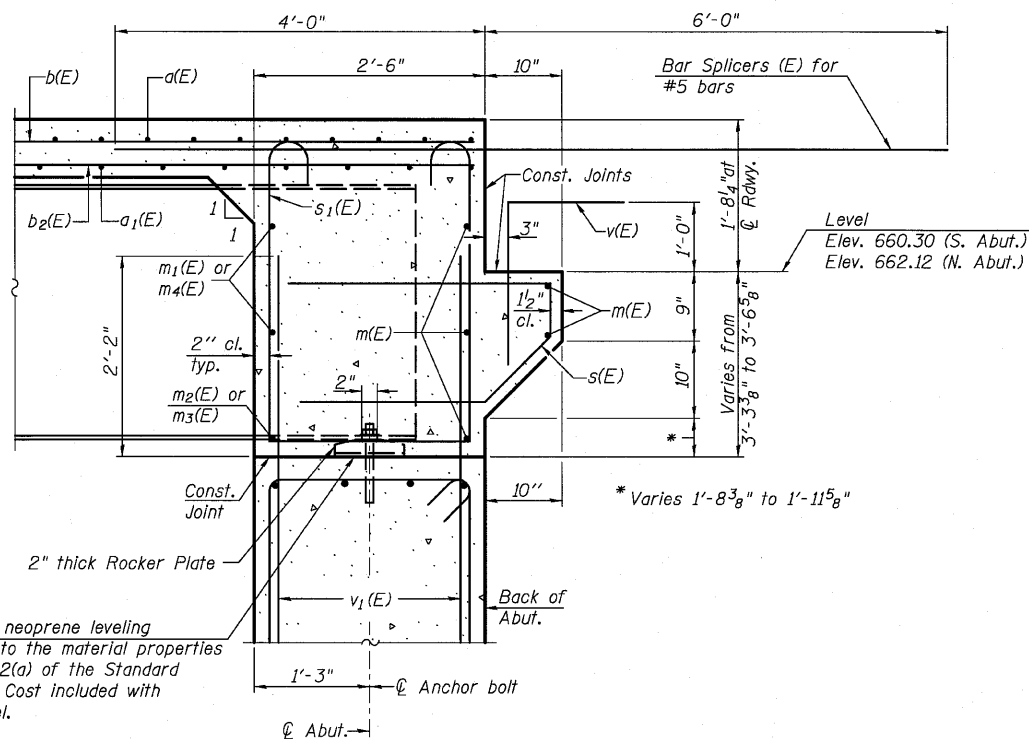
(Looking South - North abutment similar)

Notes:

Reinforcement bars in diaphragm are billed with superstructure on sheet 11 of 26.
Concrete in diaphragm is included with Concrete Superstructure on sheet 11 of 26.
For details of bars s(E) & s1(E) see sheet 11 of 26.
For location of holes thru web, see sheet 15 of 26.

MIN. BAR LAP

#6 bar = 3'-4"



SECTION A-A

1/2" elastomeric neoprene leveling pad according to the material properties of Art. 1052.02(a) of the Standard Specifications. Cost included with Structural Steel.

**DIAPHRAGM DETAILS
STRUCTURE NO. 098-0117**

DESIGNED -	AEU
CHECKED -	MH/DLS
DRAWN -	AWH
CHECKED -	AEU

WILLS BURKE KELSEY ASSOCIATES LTD.
116 West Main Street, Suite 201
St. Charles, Illinois 60174
(630) 443-7755

SHEET NO. 14
26 SHEETS

F.A.P. RTE.	SECTION	COUNTY	TOTAL SHEETS	SHEET NO.
646	8BR-1	WHITESIDE	90	48
CONTRACT NO. 84854				
ILLINOIS FED. AID PROJECT				