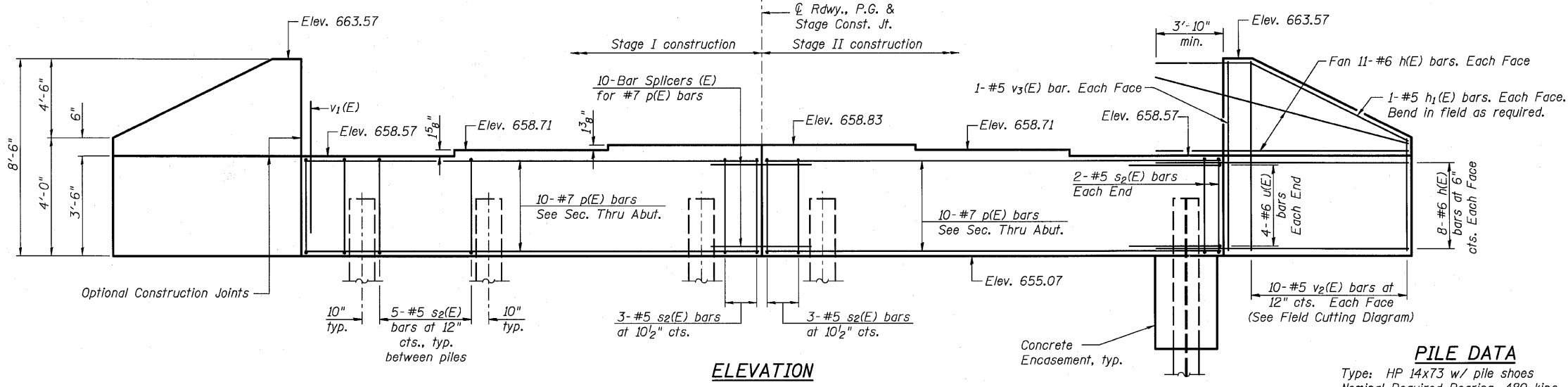
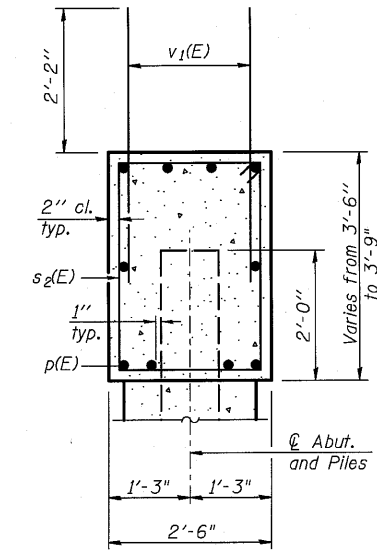


STATE OF ILLINOIS
DEPARTMENT OF TRANSPORTATION

Notes:
Pour steps monolithically with cap.
Space reinforcement in cap to miss anchor bolts.



ELEVATION



SEC. THRU ABUT.

PILE DATA

Type: HP 14x73 w/ pile shoes
Nominal Required Bearing: 480 kips
Factored Resistance Available: 240 kips
Est. Length: 53' (90'-Precored Piles)
No. Production Piles: 7
No. Test Piles: 1

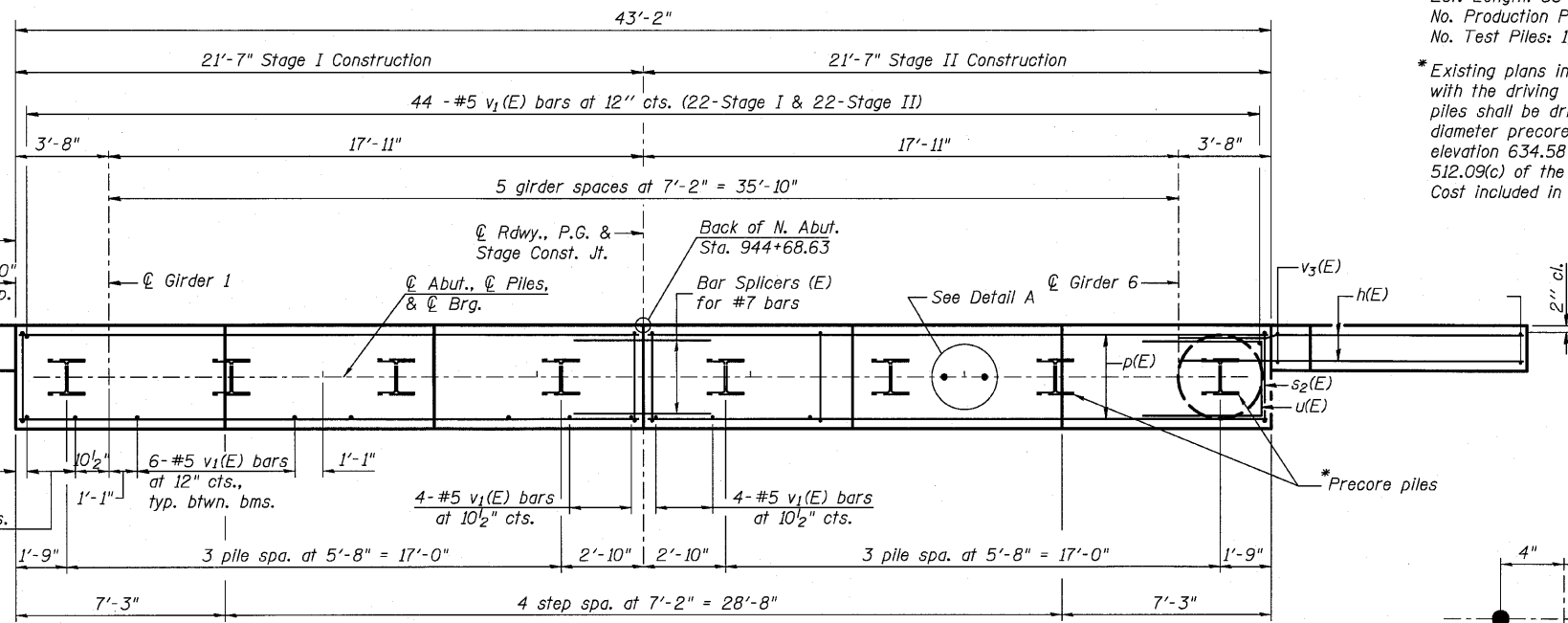
* Existing plans indicate the existing footing may interfere with the driving of the two easternmost piles, therefore piles shall be driven through 20-inch diameter precored holes extending to elevation 634.58 according to Article 512.09(c) of the Standard Specifications. Cost included in driving piles.

BILL OF MATERIAL

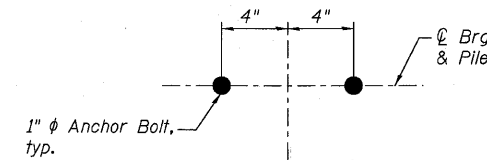
Bar	No.	Size	Length	Shape
h(E)	76	#6	13'-8"	—
h1(E)	4	#5	14'-8"	—
p(E)	20	#7	21'-3"	—
s2(E)	40	#5	11'-7"	□
u(E)	8	#6	8'-1"	—
v1(E)	84	#5	4'-4"	—
v2(E)	20	#5	11'-10"	—
v3(E)	4	#5	8'-2"	—
Structure Excavation		Cu. Yd.	144	
Concrete Structures		Cu. Yd.	10.6	
Reinforcement Bars, Epoxy Coated		Pound	3,730	
Furnishing Steel Piles HP 14x73		Foot	445	
Driving Piles		Foot	445	
Test Pile Steel HP 14x73		Each	1	
Pile Shoes		Each	8	
Concrete Encasement		Cu. Yd.	4.4	

For details of Bar Splicers, see sheet 22 of 26.
For details of piles and Concrete Encasement, see sheet 21 of 26.
For drainage details, see sheet 2 of 26.

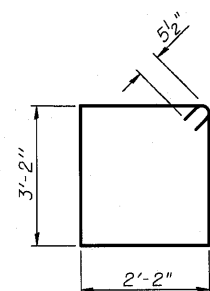
NORTH ABUTMENT
STRUCTURE NO. 098-0117



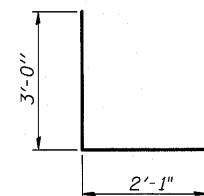
PLAN



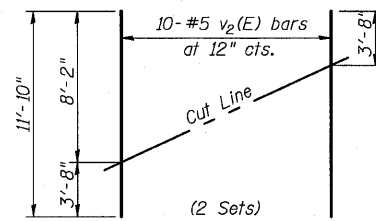
DETAIL A



BAR s2(E)



BAR u(E)



FIELD CUTTING DIAGRAM

Order v2(E) full length. Cut as shown and use remainder of bars in opposite face.

DESIGNED -	AEU
CHECKED -	DLS
DRAWN -	AWH
CHECKED -	AEU

WILLS BURKE KELSEY ASSOCIATES LTD.
116 West Main Street, Suite 201
St. Charles, Illinois 60174
(630) 443-7755

SHEET NO. 19
26 SHEETS

F.A.P. RTE.	SECTION	COUNTY	TOTAL SHEETS	SHEET NO.
646	8BR-1	WHITESIDE	90	53
CONTRACT NO. 84854				
ILLINOIS FED. AID PROJECT				