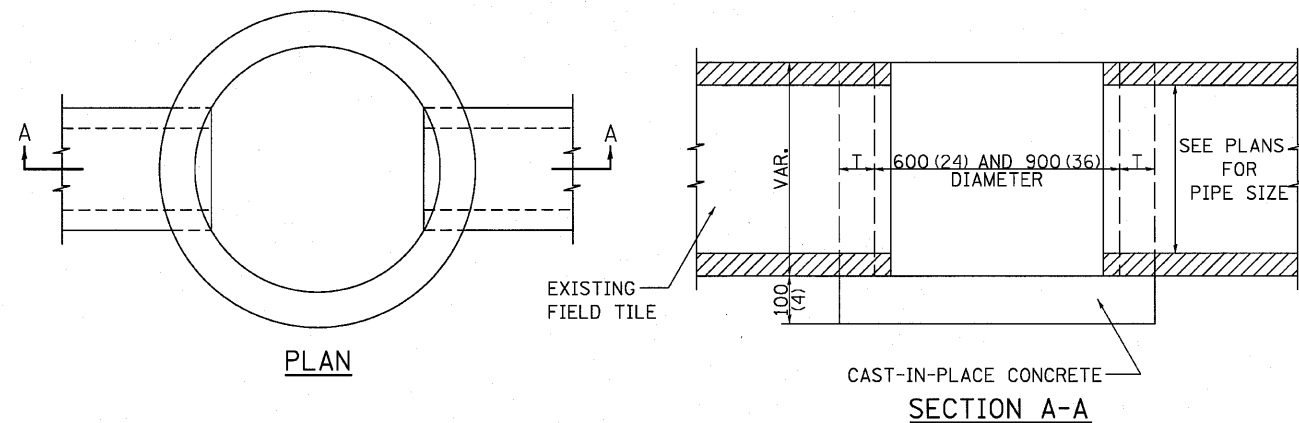
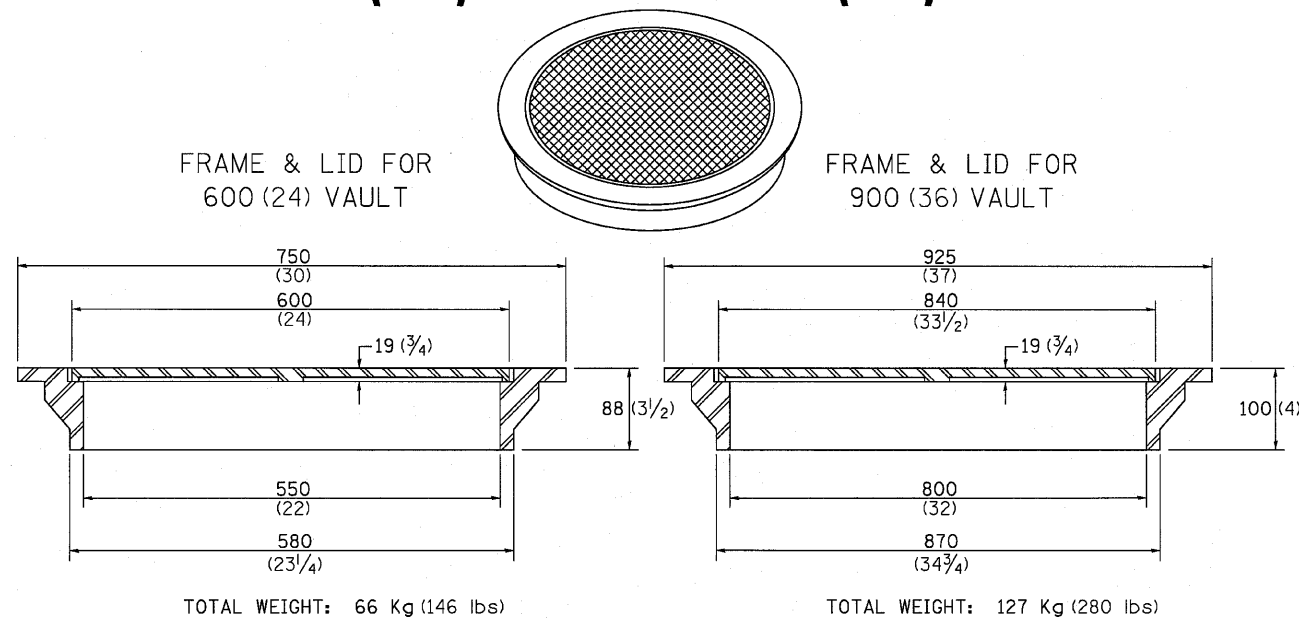
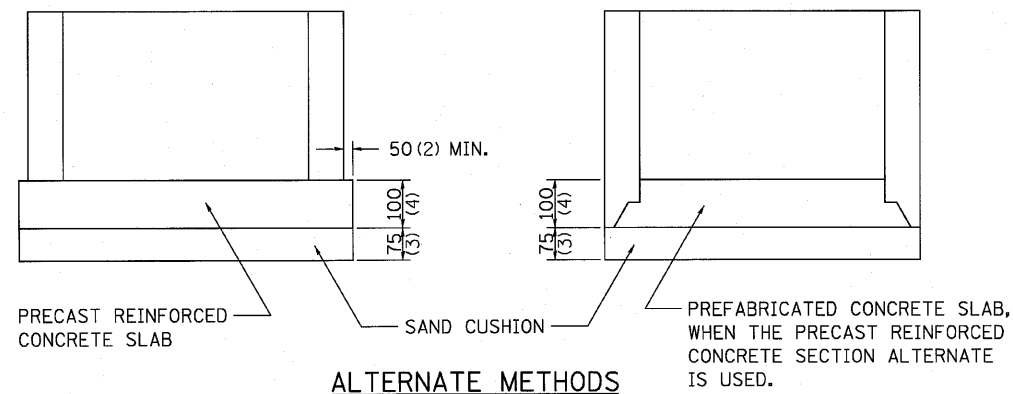


FIELD TILE JUNCTION VAULTS 600 (24) AND 900 (36) DIA.



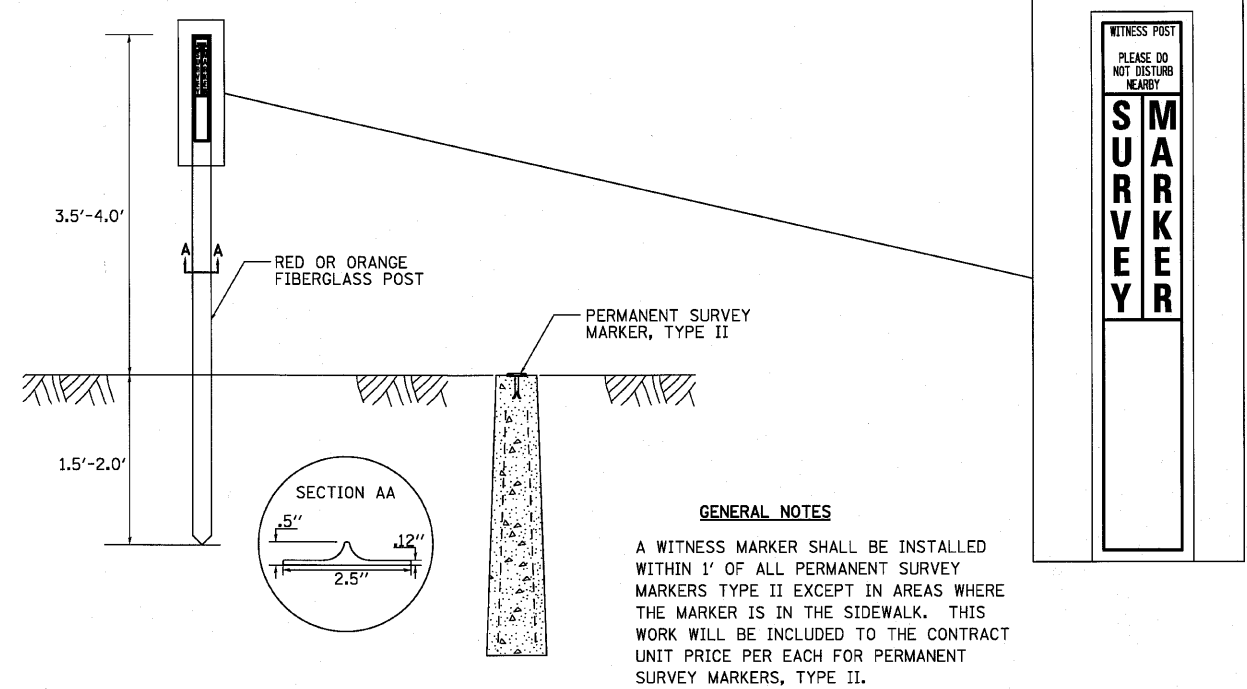
| ALTERNATE MATERIALS FOR WALLS | T |
|-------------------------------------|---------|
| BRICK MASONRY | 200 (8) |
| CAST-IN-PLACE CONCRETE | 150 (6) |
| CONCRETE MASONRY UNIT | 125 (5) |
| PRECAST REINFORCED CONCRETE SECTION | 75 (3) |

ALL DIMENSIONS ARE IN MILLIMETERS (INCHES) UNLESS OTHERWISE NOTED.

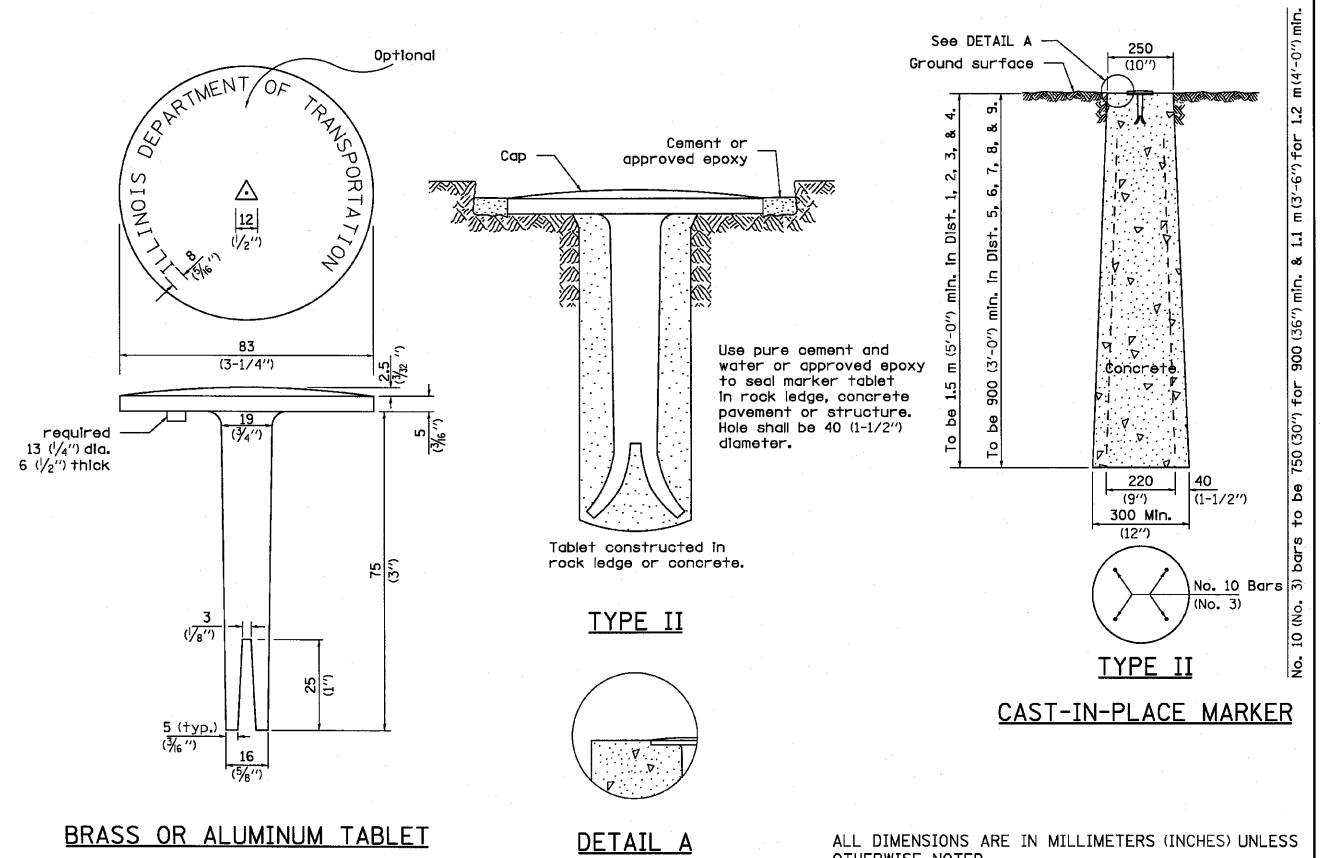


REVISED - 5-03-94

WITNESS MARKER FOR PERMANENT SURVEY MARKERS, TYPE II



PERMANENT SURVEY MARKERS, TYPE II



BRASS OR ALUMINUM TABLET

DETAIL A

CAST-IN-PLACE MARKER

ALL DIMENSIONS ARE IN MILLIMETERS (INCHES) UNLESS OTHERWISE NOTED.

| REVISED - | 10-21-08 | REGION 2 / DISTRICT 2 STANDARD | | | | F.A.P. RTE. | SECTION | COUNTY | TOTAL SHEETS | SHEET NO. | |
|-----------|----------|---|-----------|-----------|------|-------------|---------|--------|--------------|-----------|----|
| REVISED - | | SCALE: | SHEET NO. | OF SHEETS | STA. | TO STA. | 646 | BBR-1 | WHITESIDE | 90 | 72 |
| REVISED - | | FED. ROAD DIST. NO. 2 ILLINOIS FED. AID PROJECT | | | | | | | | | |
| REVISED - | | CONTRACT NO. 84854 | | | | | | | | | |