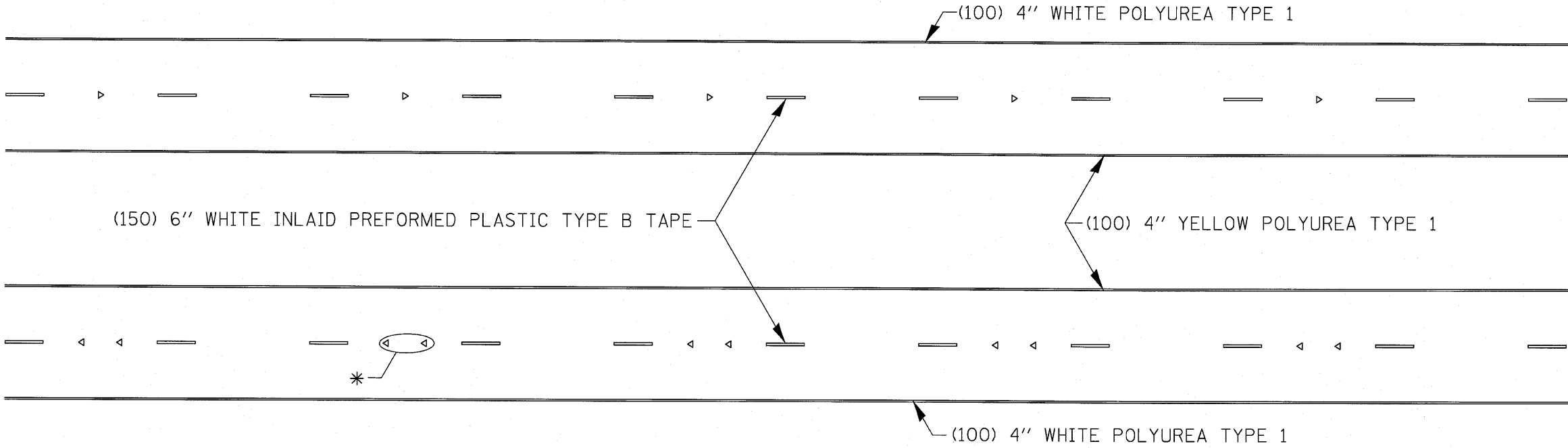
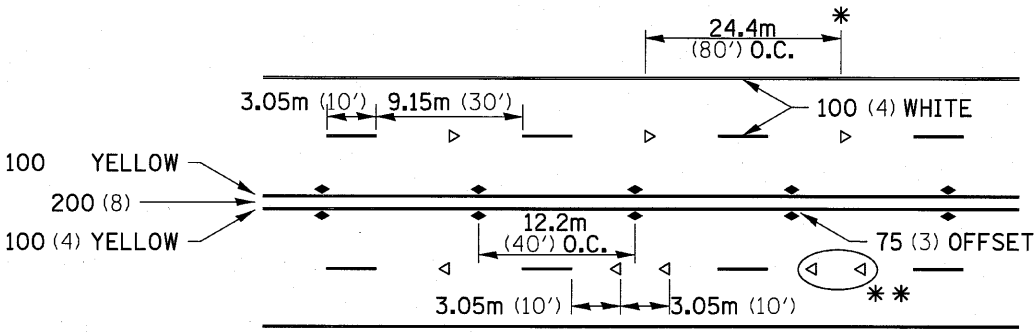


TYPICAL PAVEMENT MARKINGS



* SEE HIGHWAY STANDARD 781001 FOR SPACING DETAILS.
USE DOUBLE MARKERS WHEN ADT ≥ 25,000.

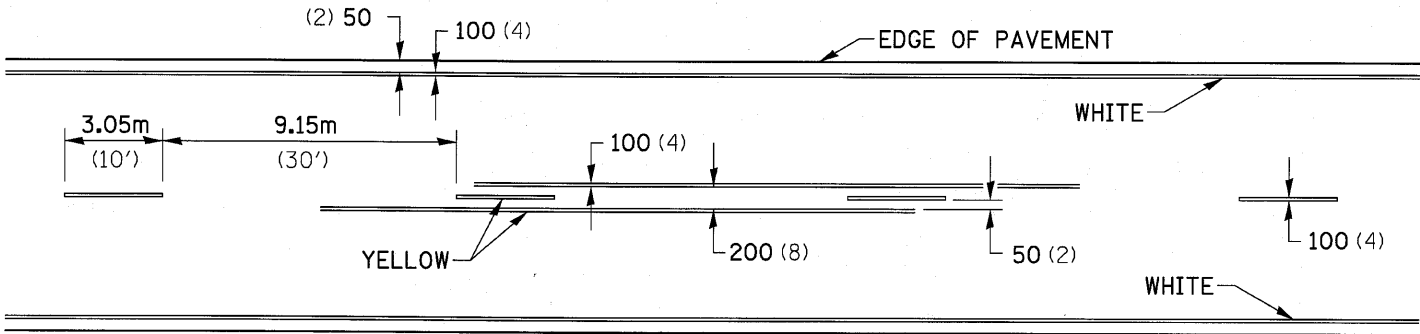
MULTI-LANE / DIVIDED



* REDUCE TO 12.2m (40') O.C. ON CURVES WHERE ADVISORY SPEEDS ARE 15Km/H (10MPH) LOWER THAN POSTED SPEEDS.
** USE DOUBLE MARKERS WHEN ADT ≥ 25,000

MULTI-LANE / UNDIVIDED

TYPICAL PAVEMENT MARKING FOR TWO LANE SECTION – NO PASSING ZONES



SYMBOLS

FILE NAME =	USER NAME = #USER#	DESIGNED -	REVISED - 10-21-08	STATE OF ILLINOIS DEPARTMENT OF TRANSPORTATION	REGION 2 / DISTRICT 2 STANDARD	F.A.P. RTE.	SECTION	COUNTY	TOTAL SHEETS	SHEET NO.
P:\CBBEL WEST Projects\2009\124102_W09	L48\CVI\NDgn\Sh\0284854-sh\029std6.dgn	DRAWN -	REVISED -			646	BBR-1	WHITESIDE	90	75
PLOT SCALE =	CHECKED -	REVISED -				CONTRACT NO. 84854				
PLOT DATE = 8/2/2010	DATE -	REVISED -				FED. ROAD DIST. NO. 2 ILLINOIS FED. AID PROJECT				