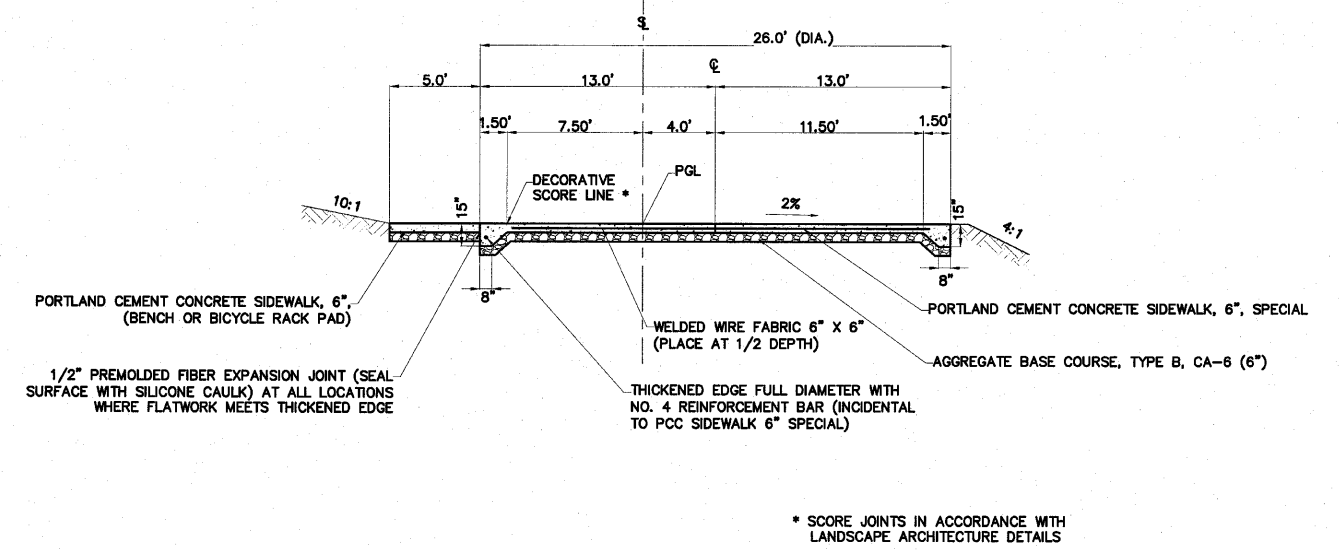
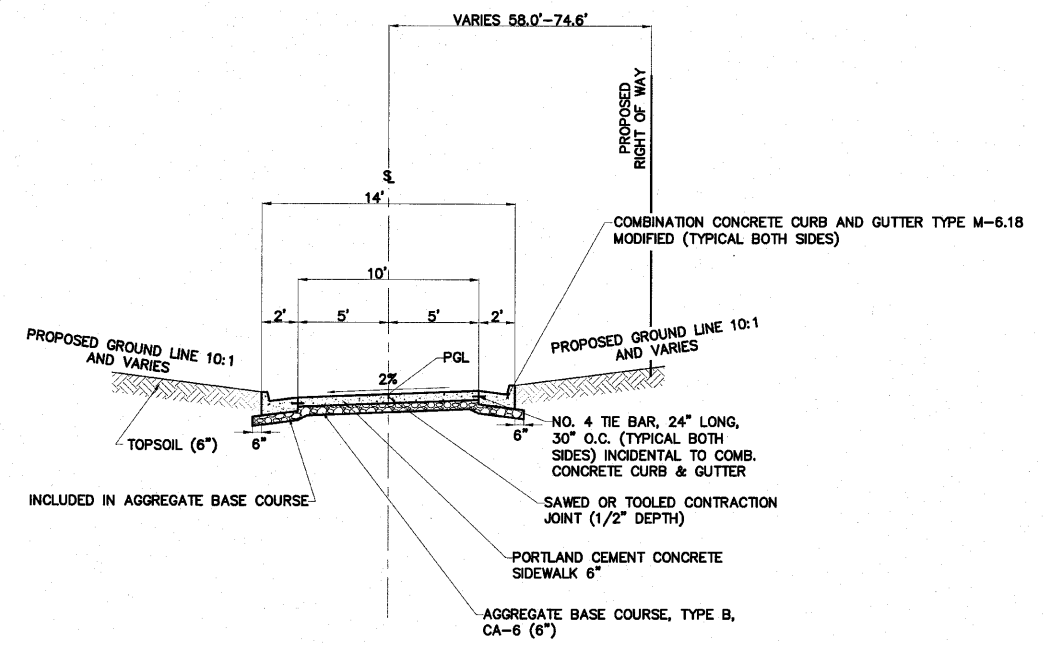


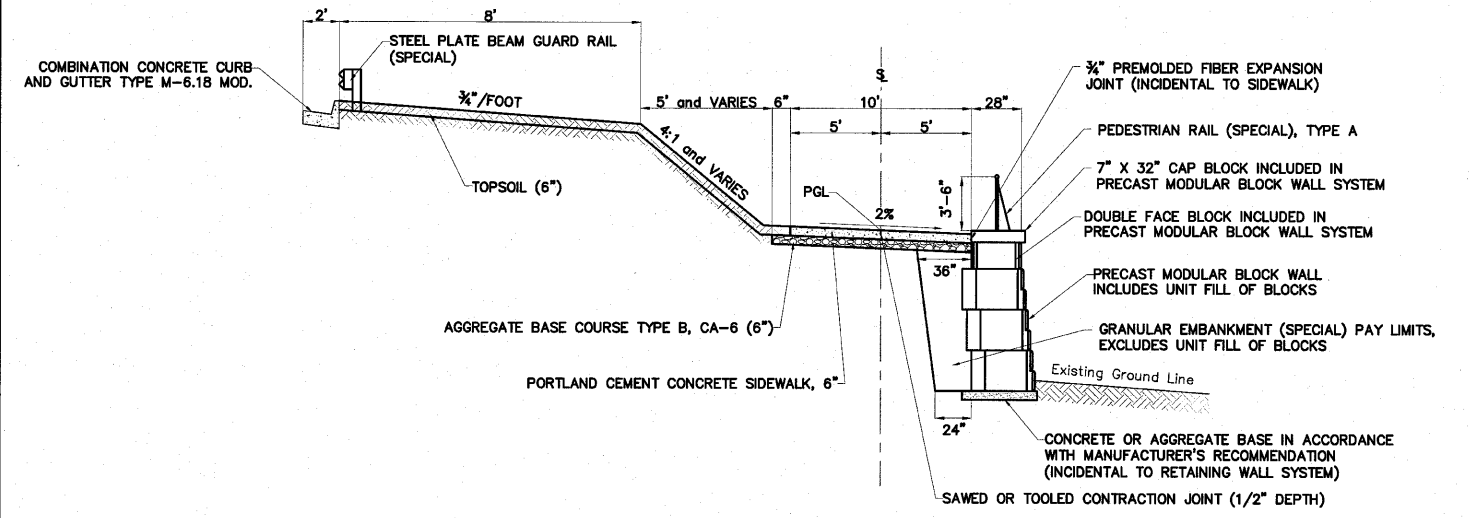
**PROPOSED TYPICAL SECTION
STATION 203+01 to 203+51**



**PROPOSED TYPICAL SECTION
STATION 203+51 to 203+76
STATION 205+60 to 205+86**



**PROPOSED TYPICAL SECTION
STATION 203+76 to 205+60**



**PROPOSED TYPICAL SECTION
STATION 205+86 to 206+90**

H:\08-008 RIVERWALK MUSEUM\DESIGN\DRAWINGS\08-008 TYPICAL SECTIONS.DWG. TYPSECT-MUSEUM 2, 9/1/2010 2:31:10 PM. I.L. MONTY

<table border="1"> <thead> <tr> <th colspan="2">SHEET REVIEW</th> </tr> <tr> <th>AGENCY</th> <th>DATE</th> </tr> </thead> <tbody> <tr> <td> </td> <td> </td> </tr> </tbody> </table>		SHEET REVIEW		AGENCY	DATE			<table border="1"> <thead> <tr> <th colspan="3">REVISIONS</th> </tr> <tr> <th>NO.</th> <th>ITEM</th> <th>DATE</th> </tr> </thead> <tbody> <tr> <td> </td> <td> </td> <td> </td> </tr> </tbody> </table>		REVISIONS			NO.	ITEM	DATE				SCALE: N/A DRAWN BY: MS CHECKED BY: JMH DATE: AUGUST 13, 2010	<p>7282 Argus Drive Rockford, Illinois 61107-5837 (815) 398-2332 FAX (815) 398-2496 Design Firm License: Illinois 184-000816 Copyright 2010 By McClure Engineering Associates, Inc.</p>	<table border="1"> <tr> <td colspan="2" style="text-align: center;">TYPICAL SECTION</td> </tr> <tr> <td colspan="2" style="text-align: center;">RIVERWALK MUSEUM CAMPUS</td> </tr> <tr> <td>711 NORTH MAIN STREET</td> <td>ROCKFORD, IL</td> </tr> <tr> <td>FILE:H:\08-008 RIVERWALK MUSEUM\DESIGN\DRAWINGS\08-008 TYPICAL SECTIONS.DWG</td> <td>JOB:04-28-10-008</td> </tr> </table>	TYPICAL SECTION		RIVERWALK MUSEUM CAMPUS		711 NORTH MAIN STREET	ROCKFORD, IL	FILE:H:\08-008 RIVERWALK MUSEUM\DESIGN\DRAWINGS\08-008 TYPICAL SECTIONS.DWG	JOB:04-28-10-008	SHEET NO. 6 OF 148
SHEET REVIEW																														
AGENCY	DATE																													
REVISIONS																														
NO.	ITEM	DATE																												
TYPICAL SECTION																														
RIVERWALK MUSEUM CAMPUS																														
711 NORTH MAIN STREET	ROCKFORD, IL																													
FILE:H:\08-008 RIVERWALK MUSEUM\DESIGN\DRAWINGS\08-008 TYPICAL SECTIONS.DWG	JOB:04-28-10-008																													