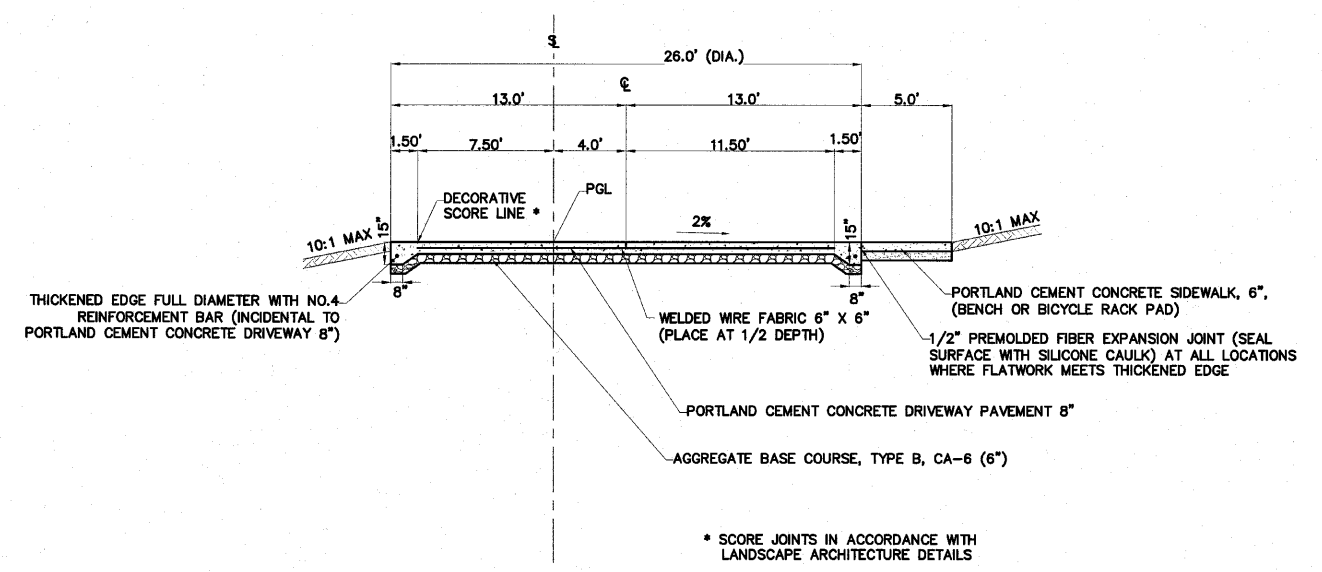
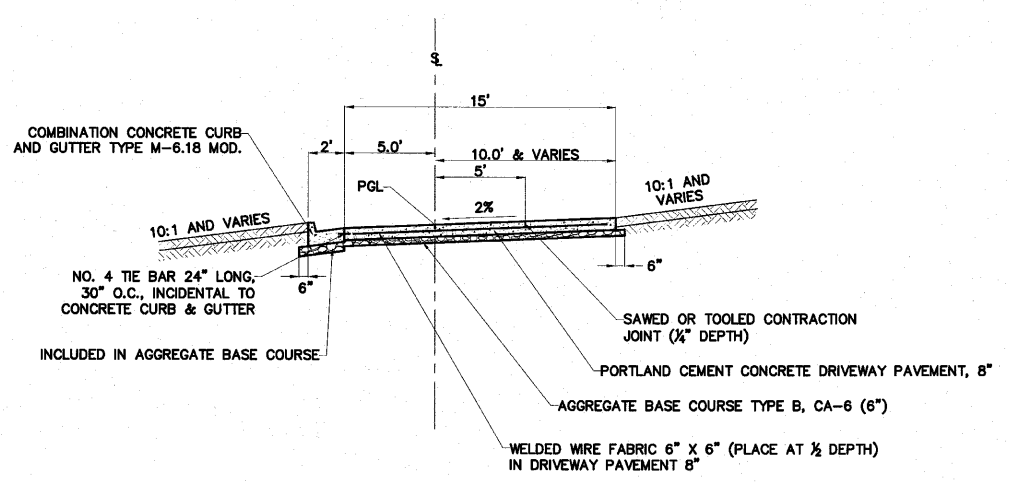


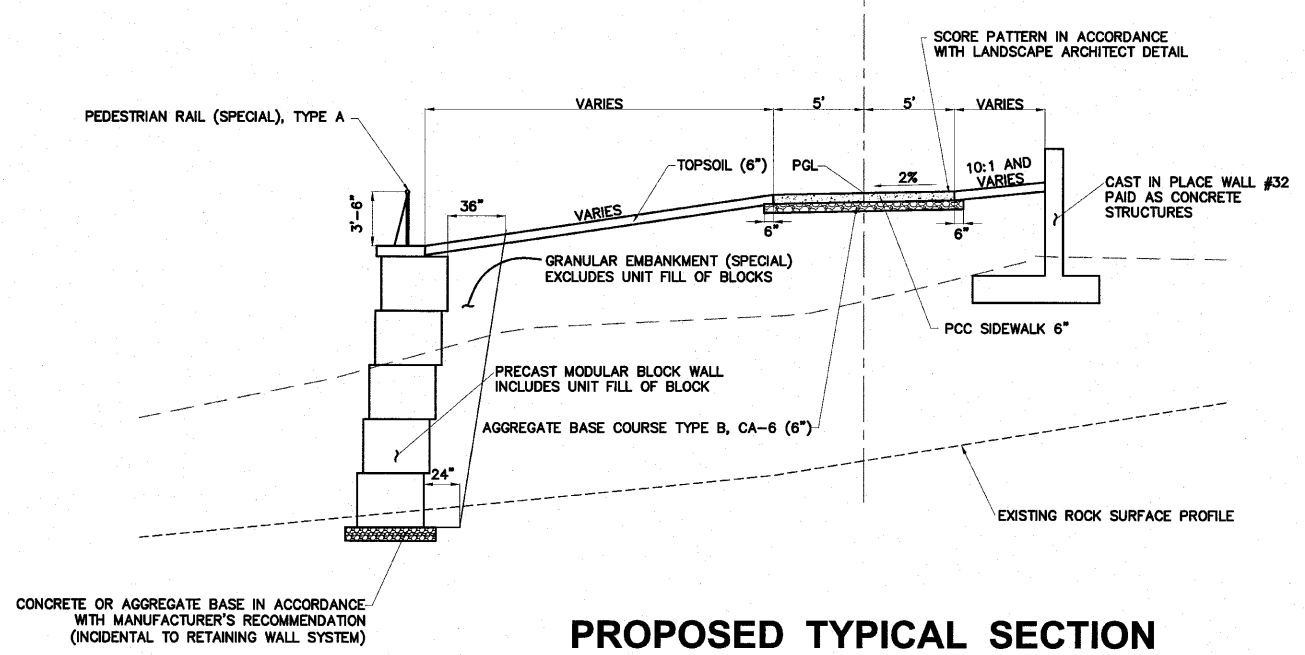
**PROPOSED TYPICAL SECTION
STATION 300+00 to 302+27**



**PROPOSED TYPICAL SECTION
STATION 304+04 to 304+30**



**PROPOSED TYPICAL SECTION
STATION 302+27 to 304+04**



**PROPOSED TYPICAL SECTION
STATION 304+30 to 305+10**

H:\08-008 RIVERWALK MUSEUM\DESIGN\DRAWINGS\08-008 TYPICAL SECTIONS.DWG, TYPSECT-MUSEUM 4, 9/1/2010 2:31:30 PM, L.L. MONTY

SHEET REVIEW	
AGENCY	DATE

REVISIONS		
NO.	ITEM	DATE

SCALE:	N/A
DRAWN BY:	MS
CHECKED BY:	JWH
DATE:	AUGUST 13, 2010

7282 Argus Drive
Rockford, Illinois 61107-5837
(815) 398-2332 FAX (815) 398-2496
Design Firm License: Illinois 184-000816
Copyright 2010 By McClure Engineering Associates, Inc.

McClure
Engineering Associates, Inc.
711 NORTH MAIN STREET
ROCKFORD, IL
FILE:H:\08-008 RIVERWALK MUSEUM\DESIGN\DRAWINGS\08-008 TYPICAL SECTIONS.DWG

TYPICAL SECTION
RIVERWALK MUSEUM CAMPUS
ROCKFORD, IL
JOB:04-28-10-008