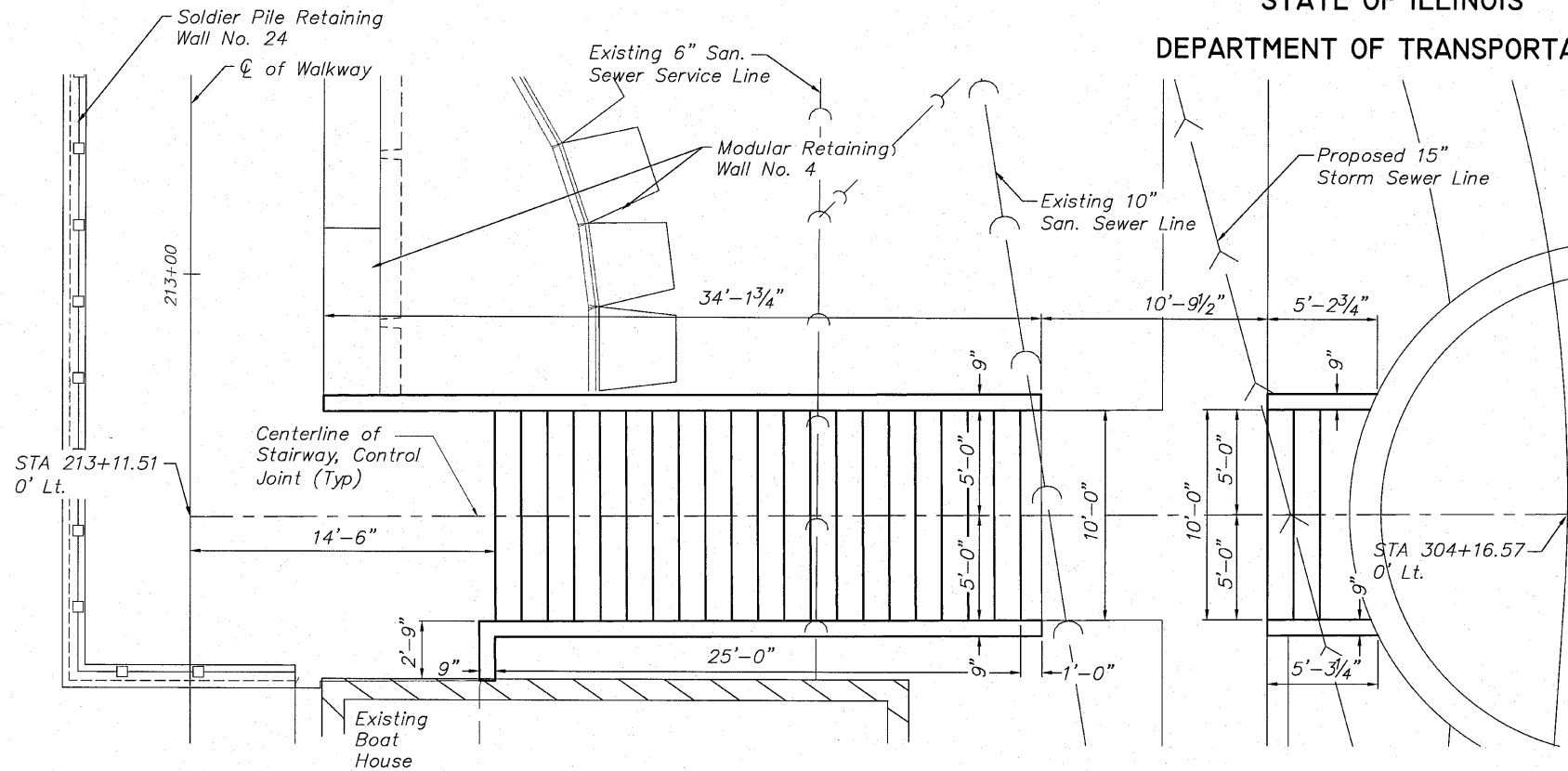
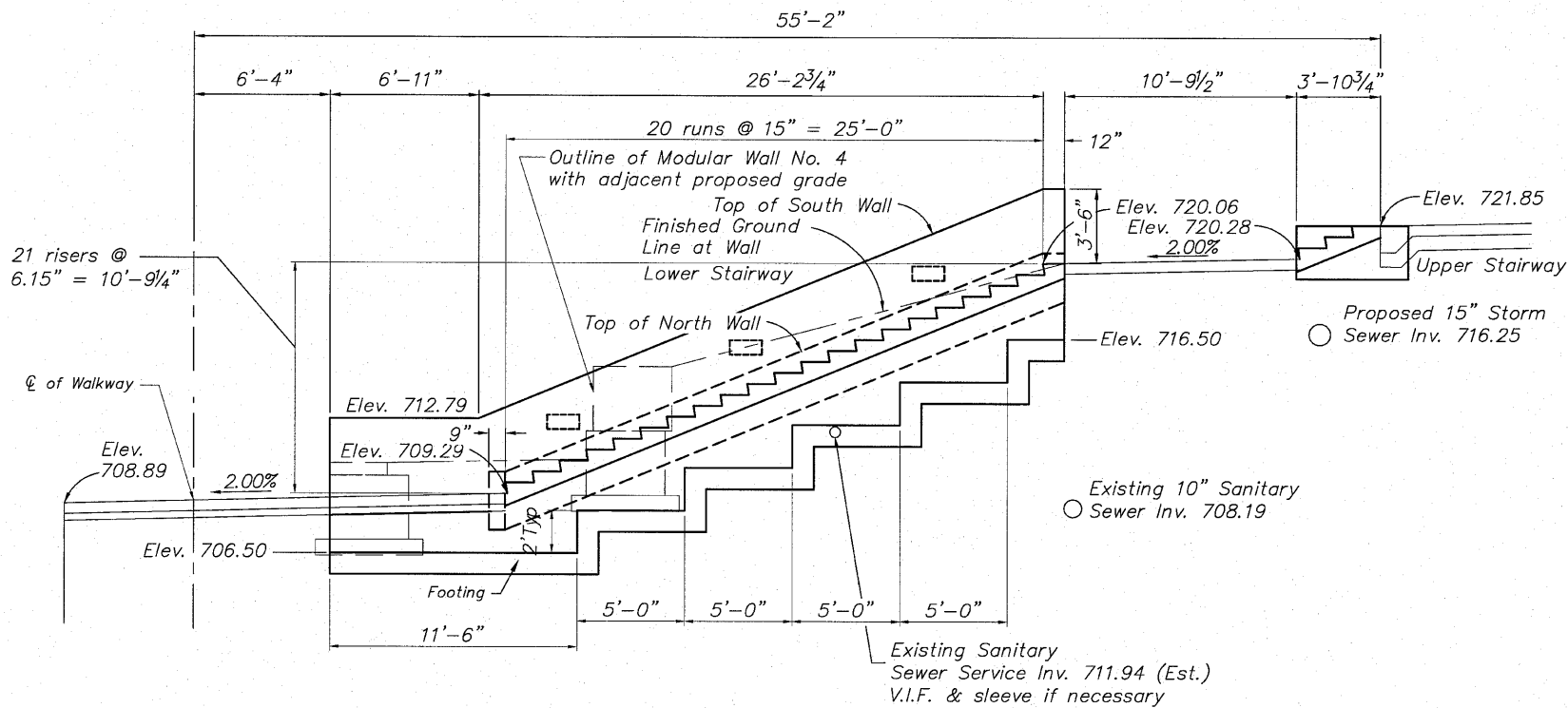


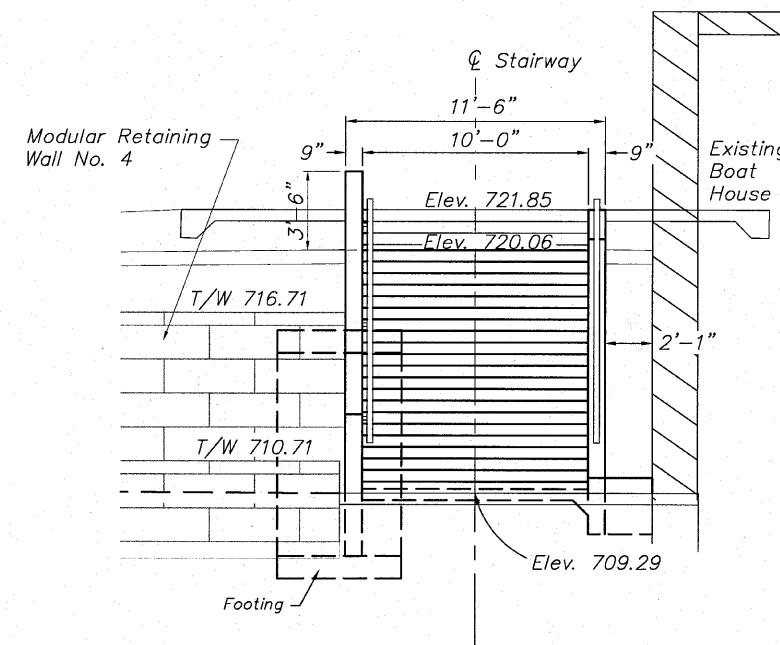
STATE OF ILLINOIS
DEPARTMENT OF TRANSPORTATION



PLAN



ELEVATION



FRONT ELEVATION
SECTION B-B

NOTES:

1. It shall be the responsibility of the Contractor to verify all dimensions and conditions existing in the field prior to construction and ordering materials.
2. The concrete shall be constructed as shown in accordance with Section 503 of the "Standard Specifications for Road and Bridge Construction".
3. All exposed edges of concrete walls shall have a 3/4" x 45° chamfer, except as shown otherwise. Chamfers on vertical edges shall be continued a minimum of one foot below finished ground level.
4. Stair tread edges shall be protected with Balco, Inc Model P-200 or equal installed according to manufactures instructions.
5. Reinforcement bars shall all be epoxy coated.
6. See Landscape Architect sheet 137 for handrail detail.
7. Refer to Electrical Plan sheet 41 for lighting insets. Provide box-out in sidewalls for flush panels.
8. Stair Tread Nosings shall be installed in two halves to allow for a scored or sawed contraction joint along the centerline of the stairs. The joint shall be sealed with a premium polyurethane sealant in accordance with the Standard Specifications.

**NORTH STAIRS AT BOAT HOUSE
PLAN AND ELEVATION
PEDESTRIAN RIVERWALK
ALONG THE ROCK RIVER
WINNEBAGO COUNTY
SECTION NO. 06-00543-00-BT
STATION 213+11.51**

DESIGNED	CTB
CHECKED	AAG
DRAWN	JAW
CHECKED	JWH

McClure
Engineering Associates, Inc.
7282 Argus Drive
Rockford, Illinois 61107-5837
(815) 398-2332
Design Firm License: Illinois #184-000816
Contractor License: Illinois #120-00000000

SHEET NO. 2
5 SHEETS

F.A. RTE.	SECTION	COUNTY	TOTAL SHEETS	SHEET NO.
	06-00543-00-BT	WINNEBAGO	148	47
CONTRACT NO.			85521	
FED. ROAD DIST. NO.	ILLINOIS	FED. AID PROJECT		