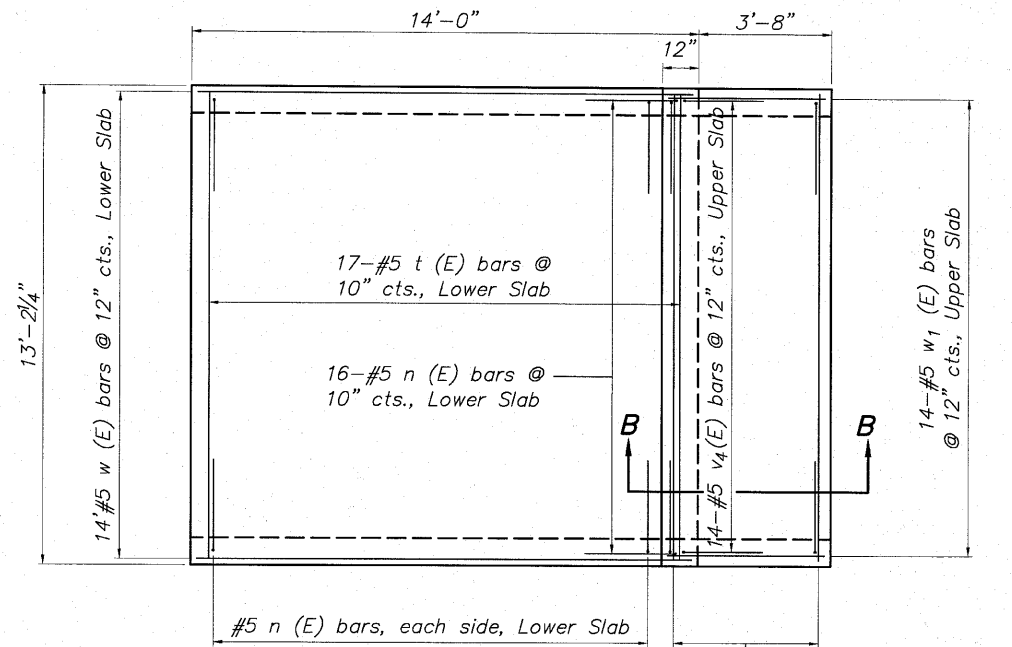
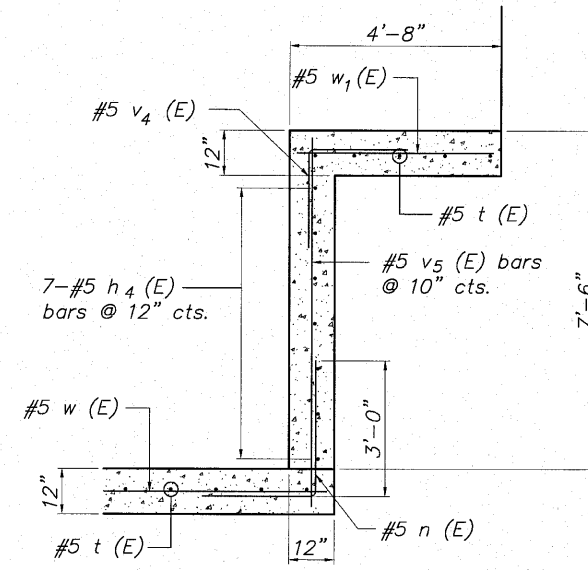


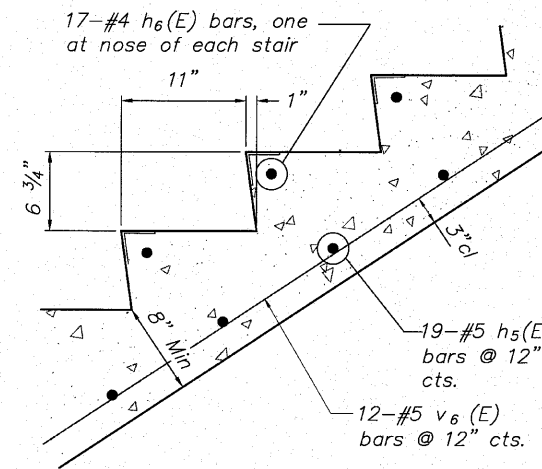
STATE OF ILLINOIS
DEPARTMENT OF TRANSPORTATION



BASE SLAB PLAN
Showing Reinforcement

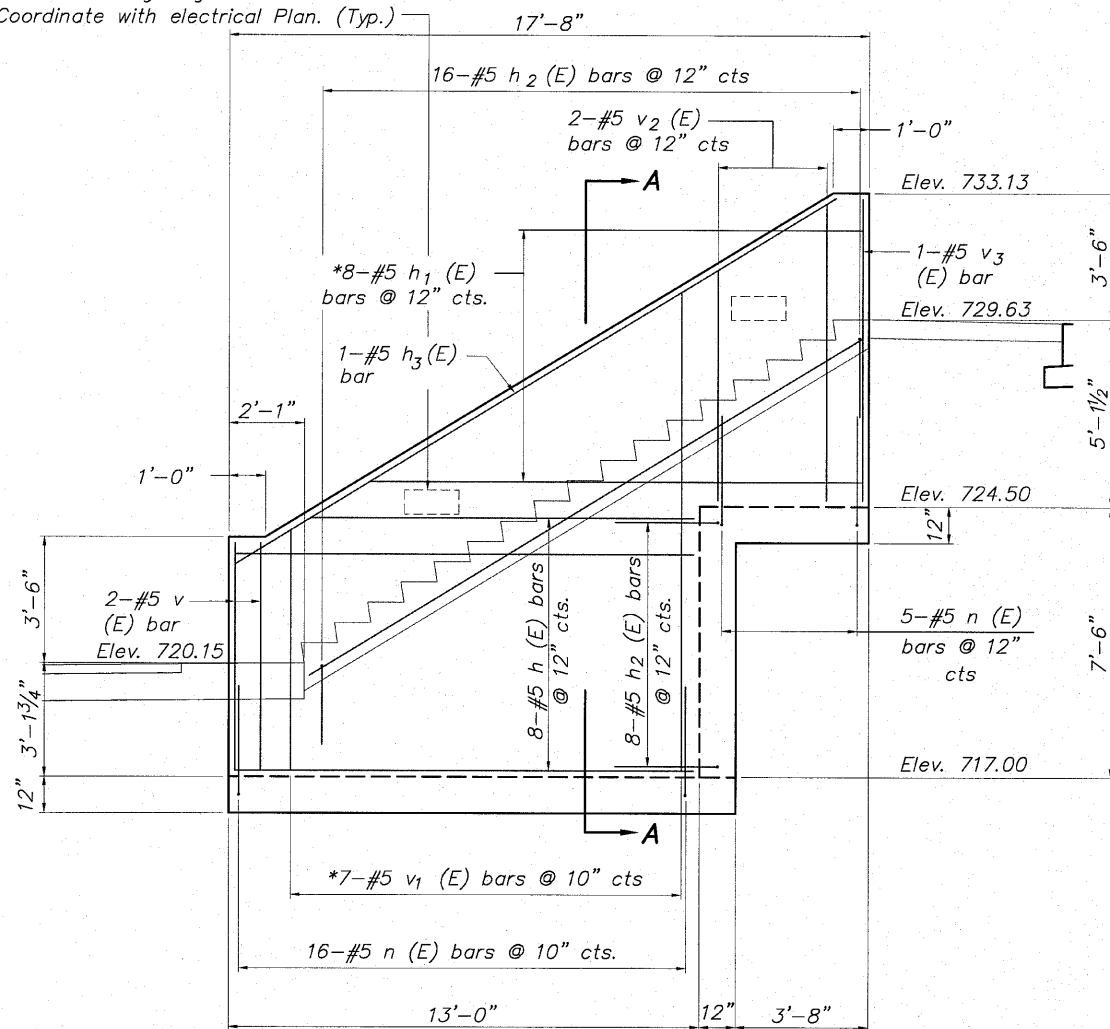


BACK WALL SECTION B-B



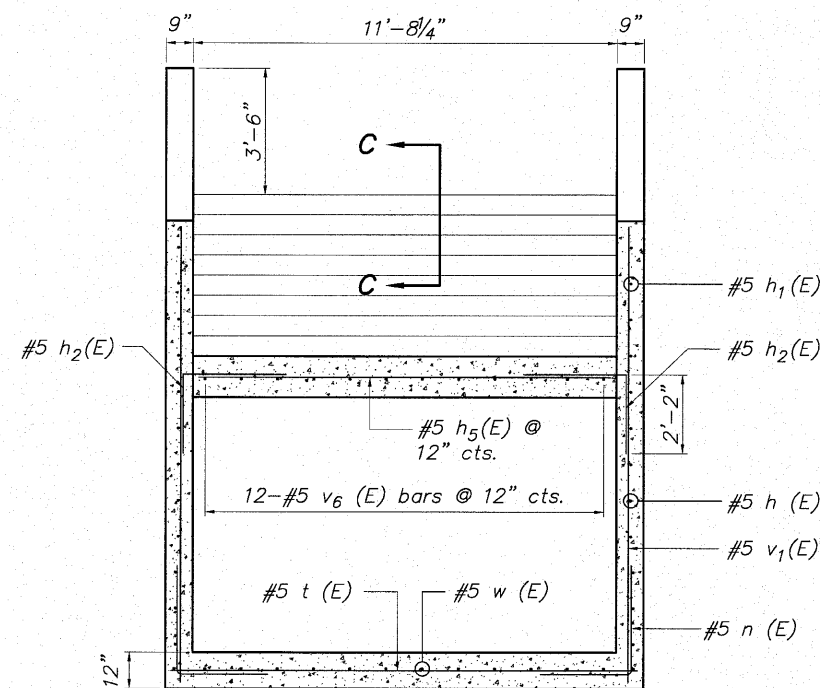
STAIR TREAD DETAIL
SECTION C-C
not to scale

Box out for lighting fixture.
Coordinate with electrical Plan. (Typ.)



SIDEWALL ELEVATION
Showing Reinforcement

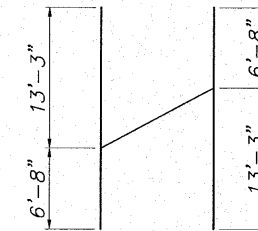
* Order bars full length, cut and use remainder at opposite end of bar run, see cutting diagrams



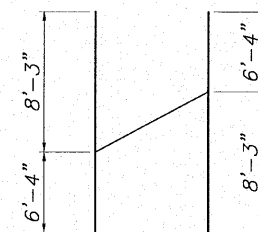
SECTION A-A

Bear on Understurbed or Compacted Engineered Fill (Typ.)

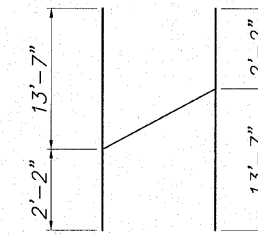
CAUTION - Top of Soldier Pile Elev. 716.0±



BAR v1(E)
Cutting Diagram



BAR v2(E)
Cutting Diagram

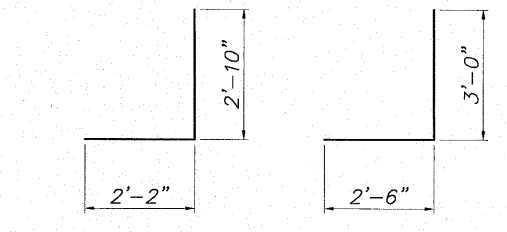


BAR h1(E)
Cutting Diagram

BILL OF MATERIALS

SOUTH STAIRS AT OUTLOOK No. 2

Bar	No.	Size	Length	Shape
h (E)	16	#5	12'-8"	—
* h1(E)	8	#5	15'-9"	—
h2(E)	48	#5	5'-0"	└
h3(E)	2	#5	19'-5"	—
h4(E)	7	#5	12'-10"	—
h5(E)	19	#5	11'-4"	—
h6(E)	17	#4	11'-4"	—
n (E)	48	#5	5'-6"	└
t (E)	22	#5	12'-10"	—
v (E)	4	#5	6'-4"	—
* v1(E)	14	#5	19'-11"	—
* v2(E)	4	#5	14'-7"	—
v3(E)	2	#5	8'-4"	—
v4(E)	14	#5	4'-4"	└
v5(E)	16	#5	8'-2"	—
v6(E)	12	#5	17'-10"	—
w (E)	14	#5	13'-8"	—
w1(E)	14	#5	4'-4"	—
Concrete Structures		Cu. Yd.	29.4	
Reinforcement Bars (Epoxy Coated)		Pound	2,740	
Rubbed Finish		Sq. Ft.	319	



BAR h2(E)

BAR n(E)

MINIMUM BAR LAP

- No. 4 bars 1'-8"
- No. 5 bars 2'-2"
- No. 6 bars 2'-7"
- No. 7 bars 3'-5"

BAR v4(E)

SOUTH STAIRS AT OVERLOOK NO. 2

STAIRWAY DETAILS
PEDESTRIAN RIVERWALK
ALONG THE ROCK RIVER
WINNEBAGO COUNTY

SECTION NO. 06-00543-00-BT
STATION 208+17.78

DESIGNED	CTB
CHECKED	AAG
DRAWN	JAW
CHECKED	JWH

McClure
Engineering Associates, Inc.
2282 Argus Drive
Rockford, Illinois 61107-5837
(815) 398-2332 Fax (815) 398-2496
Design Firm License: Illinois #194-000816

SHEET NO. 3
5 SHEETS

F.A. RTE.	SECTION	COUNTY	TOTAL SHEETS	SHEET NO.
	06-00543-00-BT	WINNEBAGO	148	48
CONTRACT NO.		85521		
FED. ROAD DIST. NO.	ILLINOIS	FED. AID PROJECT		