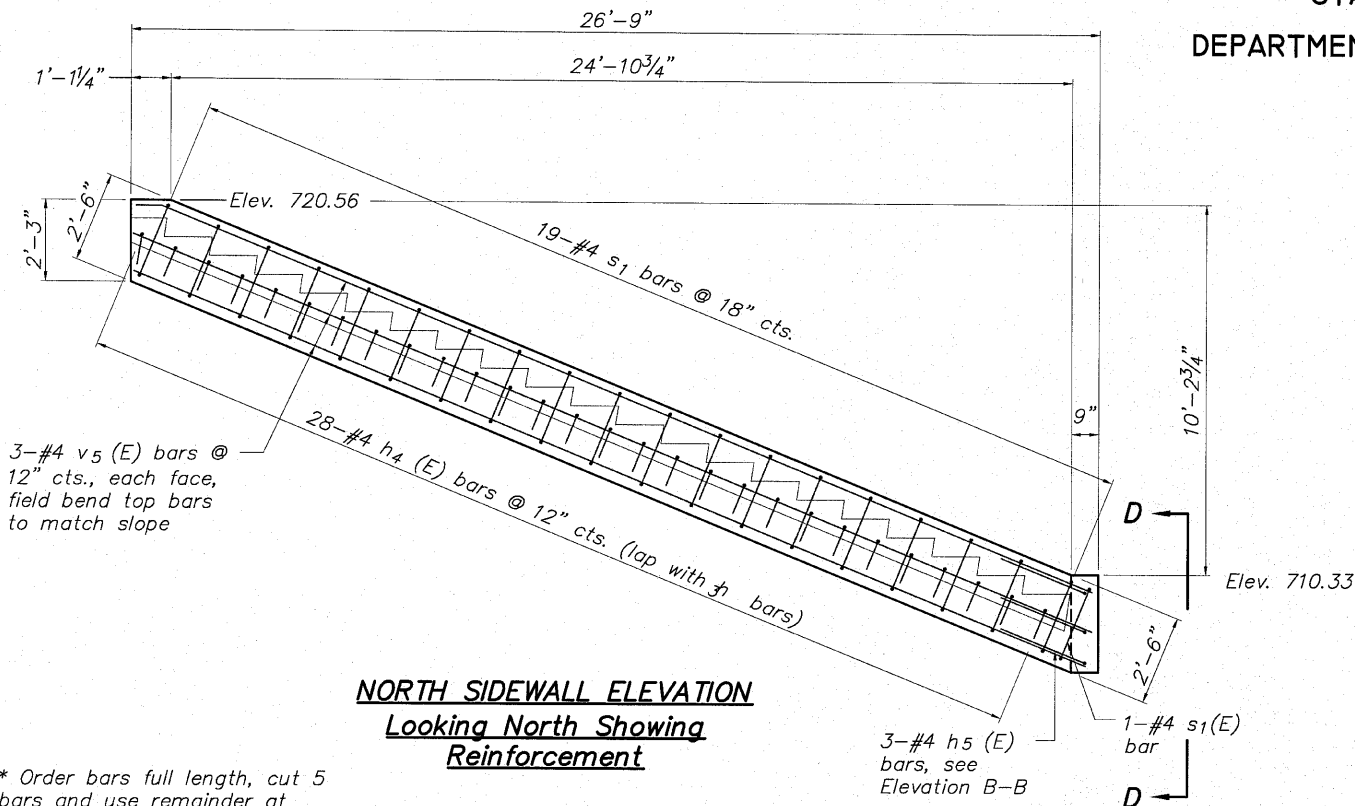
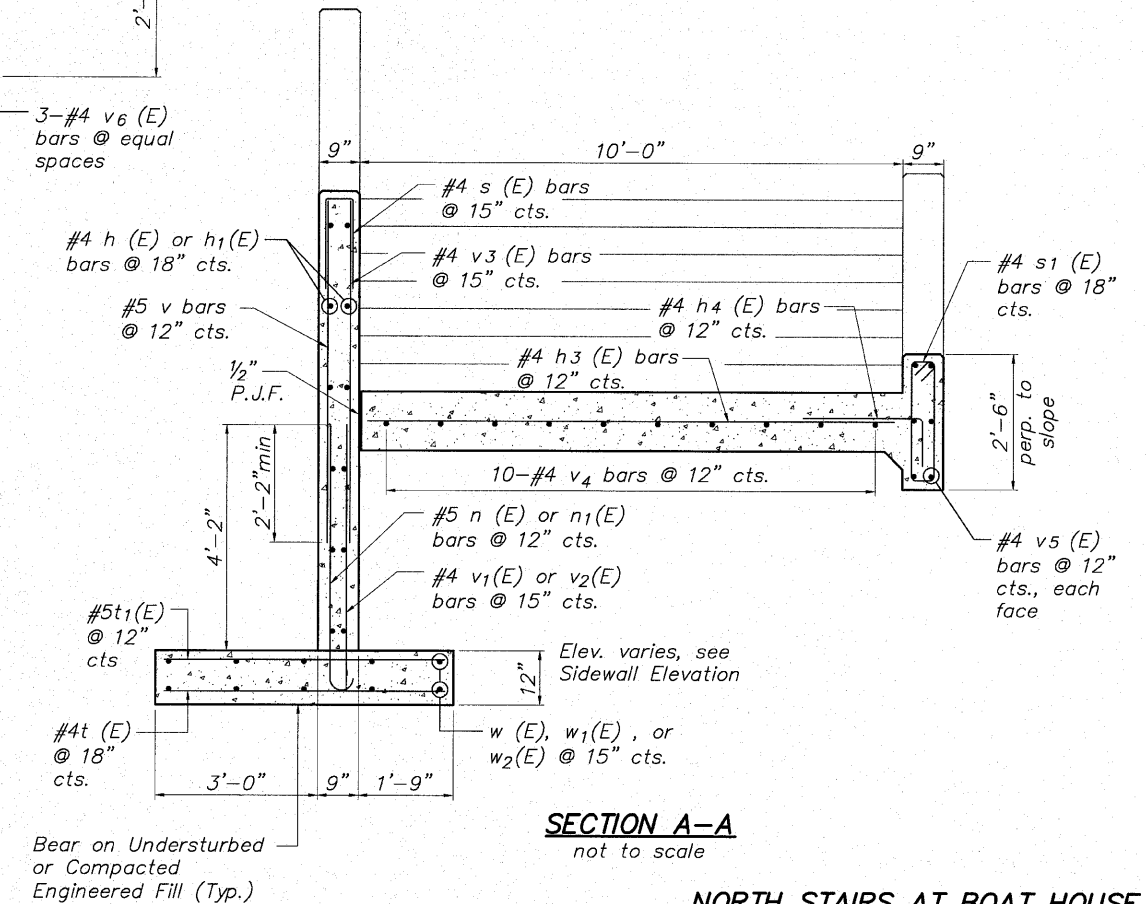
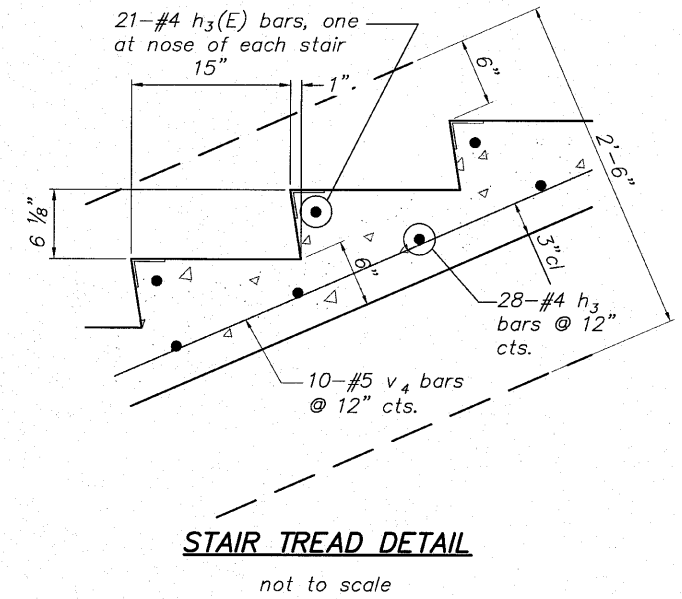
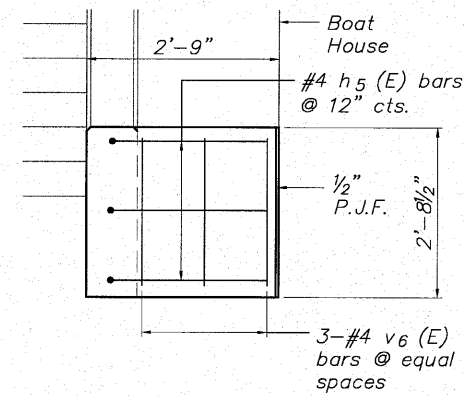
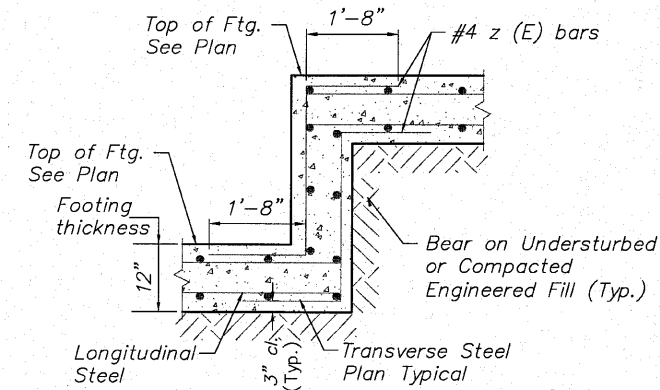
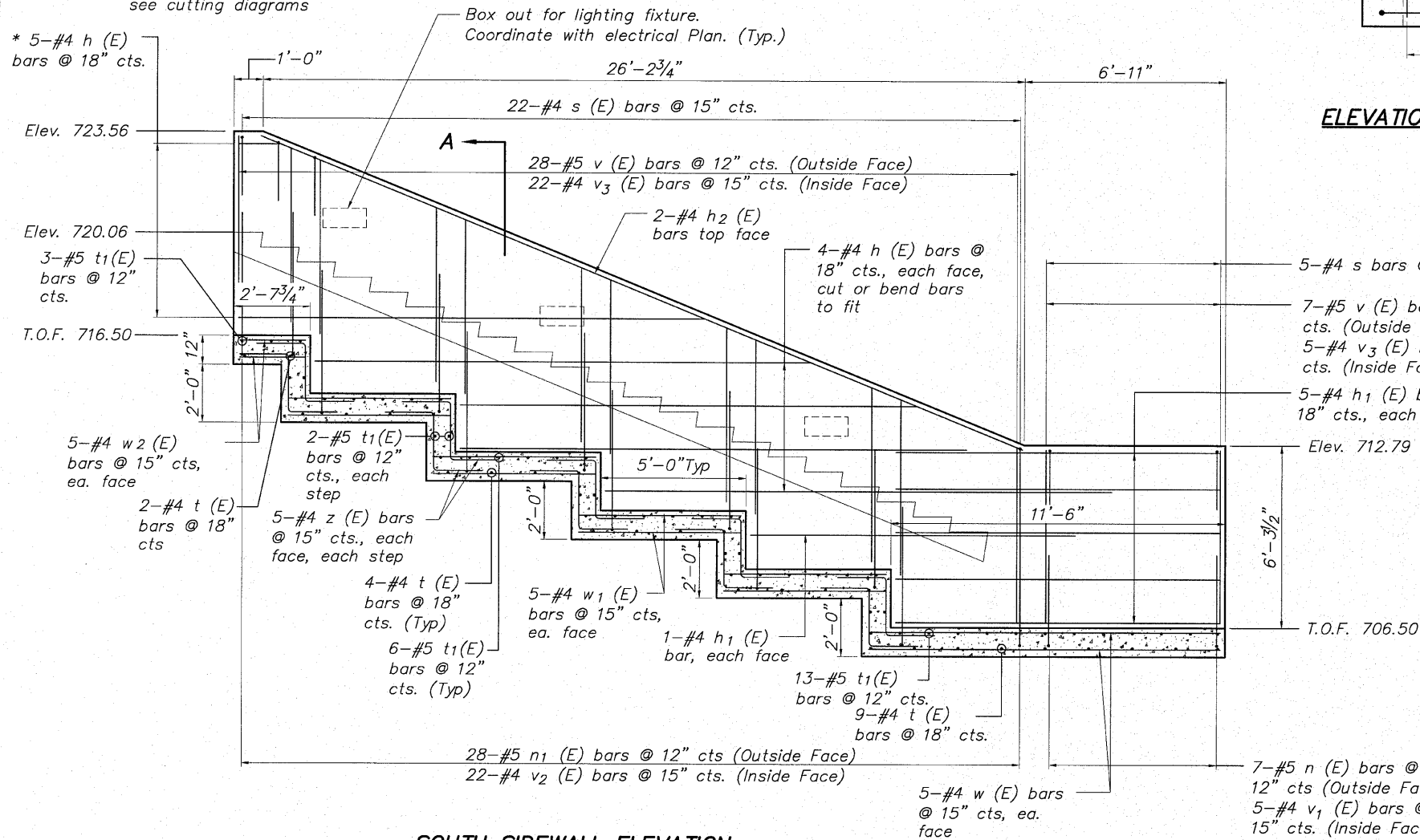


STATE OF ILLINOIS
DEPARTMENT OF TRANSPORTATION



* Order bars full length, cut 5 bars and use remainder at opposite end of opposite face, see cutting diagrams



NORTH STAIRS AT BOAT HOUSE STAIRWAY DETAILS
PEDESTRIAN RIVERWALK ALONG THE ROCK RIVER WINNEBAGO COUNTY
SECTION NO. 06-00543-00-BT
STATION 213+11.51

DESIGNED	CTB
CHECKED	AAG
DRAWN	JAW
CHECKED	JWH

McClure
Engineering Associates, Inc.
7282 Argus Drive
Rockford, Illinois 61107-5837
(815) 398-2332
Design Firm License: Illinois #04-000816

SHEET NO. 4
5 SHEETS

F.A. RTE.	SECTION	COUNTY	TOTAL SHEETS	SHEET NO.
	06-00543-00-BT	WINNEBAGO	148	49
FED. ROAD DIST. NO.	ILLINOIS	FED. AID PROJECT	CONTRACT NO.	85521