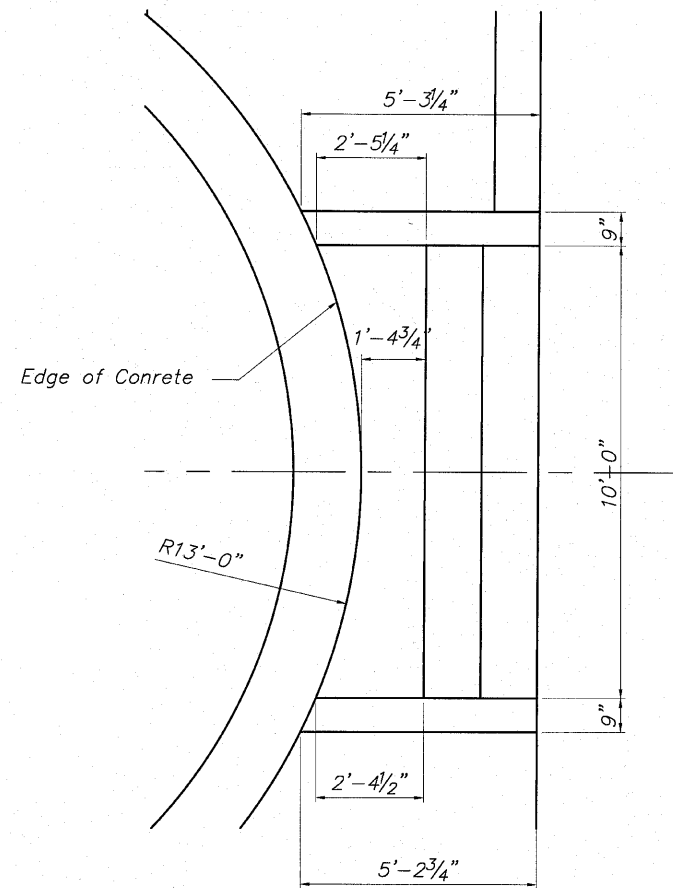
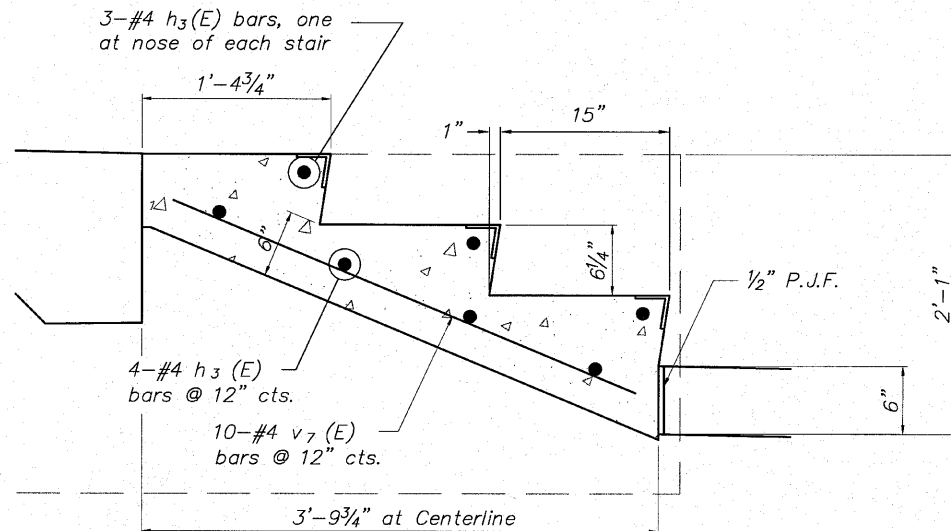


STATE OF ILLINOIS  
DEPARTMENT OF TRANSPORTATION



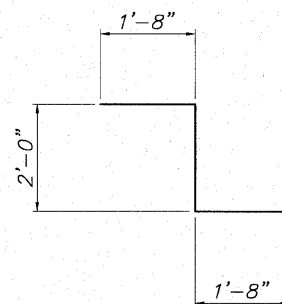
**UPPER STAIRWAY PLAN**  
not to scale



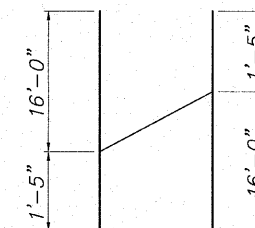
**STAIR TREAD DETAIL**  
not to scale

**MINIMUM BAR LAP**

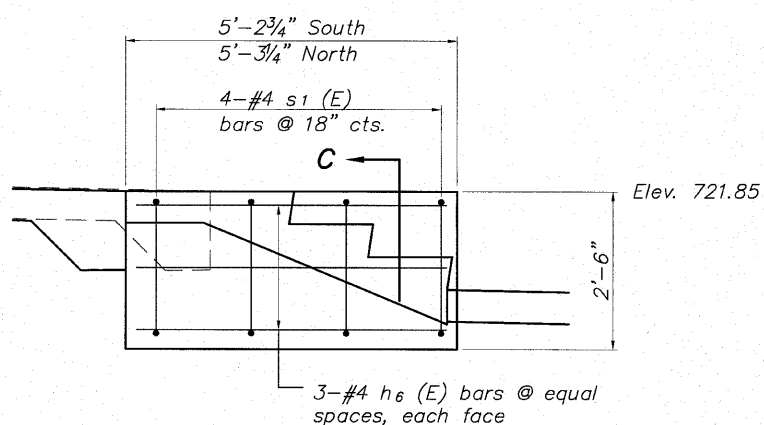
No. 4 bars	1'-8"
No. 5 bars	2'-2"
No. 6 bars	2'-7"
No. 7 bars	3'-5"



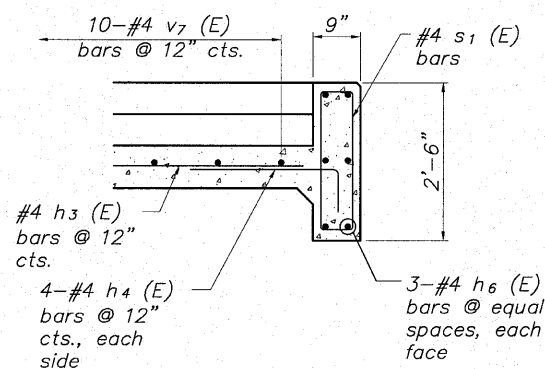
**BAR z (E)**



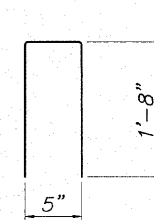
**BAR h (E)  
Cutting Diagram**



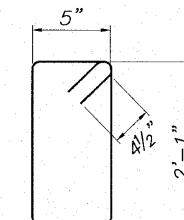
**SIDEWALL ELEVATION**  
Looking North Showing  
Reinforcement  
not to scale



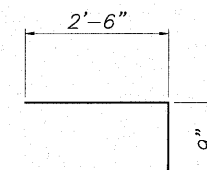
**PARTIAL SECTION C-C**  
not to scale



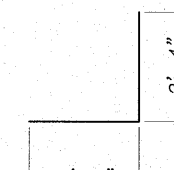
**BAR s (E)**



**BAR s1 (E)**



**BAR h4 (E)**



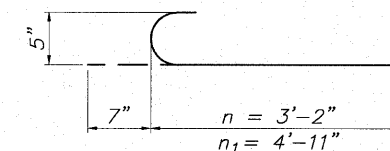
**BAR h5 (E)**

**BILL OF MATERIALS**

NORTH STAIRS AT BOAT HOUSE

Bar	No.	Size	Length	Shape
* h (E)	13	#4	17'-5"	—
h <sub>1</sub> (E)	12	#4	11'-2"	—
h <sub>2</sub> (E)	2	#4	28'-4"	—
h <sub>3</sub> (E)	56	#4	9'-8"	—
h <sub>4</sub> (E)	36	#4	3'-3"	┌
h <sub>5</sub> (E)	3	#4	4'-8"	┌
h <sub>6</sub> (E)	12	#4	4'-10"	—
n (E)	7	#5	3'-9"	┌
n <sub>1</sub> (E)	28	#5	5'-6"	┌
S (E)	27	#4	3'-9"	┌
S <sub>1</sub> (E)	28	#4	5'-9"	┌
t (E)	27	#4	5'-2"	—
t <sub>1</sub> (E)	50	#5	5'-2"	—
v (E)	35	#5	6'-4"	—
v <sub>1</sub> (E)	5	#4	3'-2"	—
v <sub>2</sub> (E)	22	#4	4'-11"	—
v <sub>3</sub> (E)	27	#4	6'-0"	—
v <sub>4</sub> (E)	10	#4	27'-7"	—
v <sub>5</sub> (E)	6	#4	28'-2"	—
v <sub>6</sub> (E)	3	#4	2'-3"	—
v <sub>7</sub> (E)	10	#4	3'-8"	—
w (E)	10	#4	12'-1"	—
w <sub>1</sub> (E)	40	#4	5'-7"	—
w <sub>2</sub> (E)	10	#4	2'-3"	—
z (E)	50	#4	5'-4"	┌
Concrete Structures		Cu. Yd.	20.9	
Reinforcement Bars (Epoxy Coated)		Pound	2,665	
Rubbed Finish		Sq. Ft.	415	

\* Order bars full length, cut 5 bars and use remainder at opposite end of opposite face, see cutting diagrams



**BAR n (E) & n<sub>1</sub>(E)**

**NORTH STAIRS AT BOAT HOUSE  
STAIRWAY DETAILS  
PEDESTRIAN RIVERWALK  
ALONG THE ROCK RIVER  
WINNEBAGO COUNTY  
SECTION NO. 06-00543-00-BT  
STATION 213+11.51**

DESIGNED	CTB
CHECKED	AAG
DRAWN	JAW
CHECKED	JWH

**McClure**  
Engineering Associates, Inc.  
2282 Argus Drive  
Rockford, Illinois 61107-5837  
(815) 398-2332 Fax (815) 398-2466  
Design Firm License: #04-000816

SHEET NO. 5  
5 SHEETS

F.A. RTE.	SECTION	COUNTY	TOTAL SHEETS	SHEET NO.
	06-00543-00-BT	WINNEBAGO	148	50
FED. ROAD DIST. NO.		ILLINOIS	FED. AID PROJECT	
			CONTRACT NO. 85521	