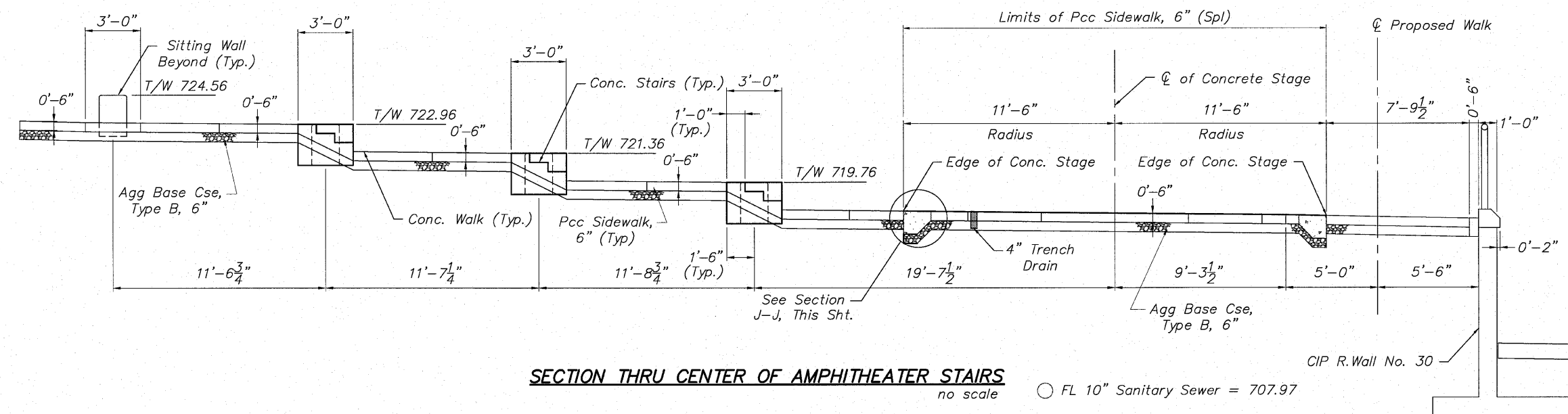
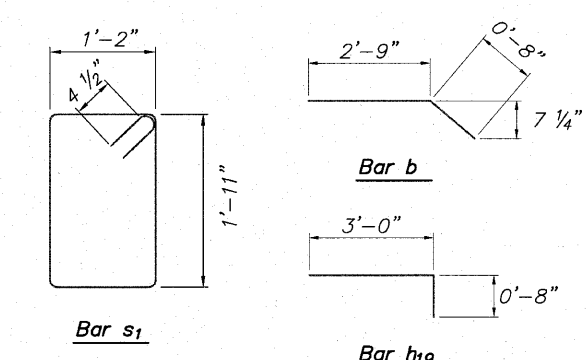
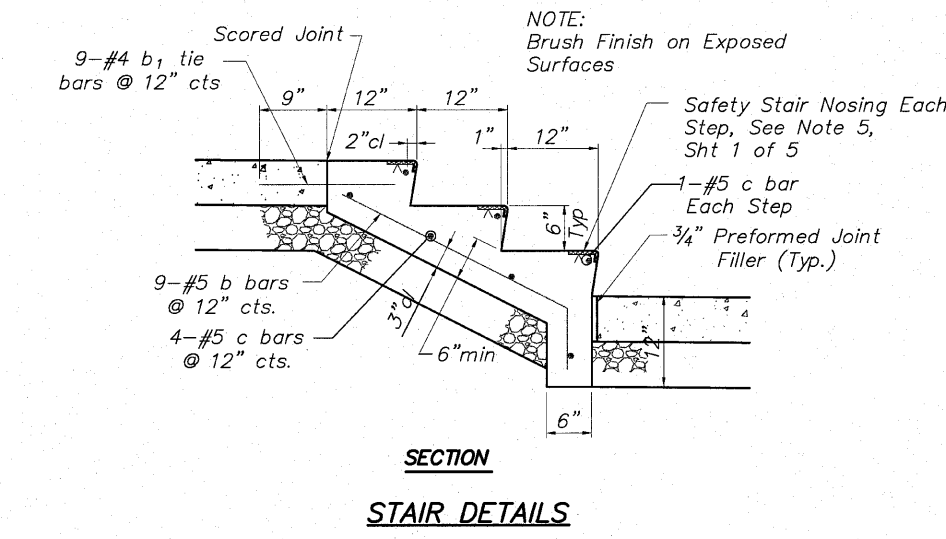
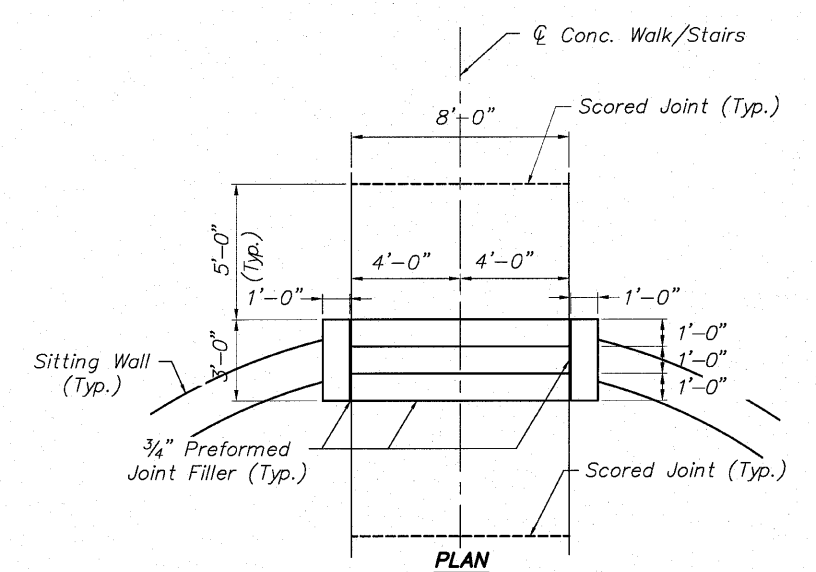
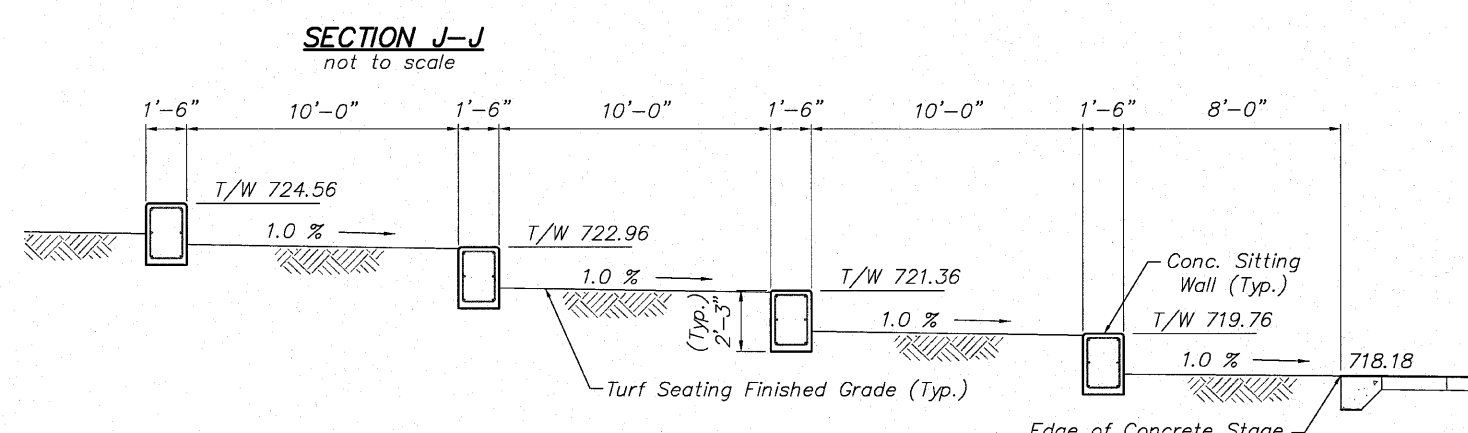
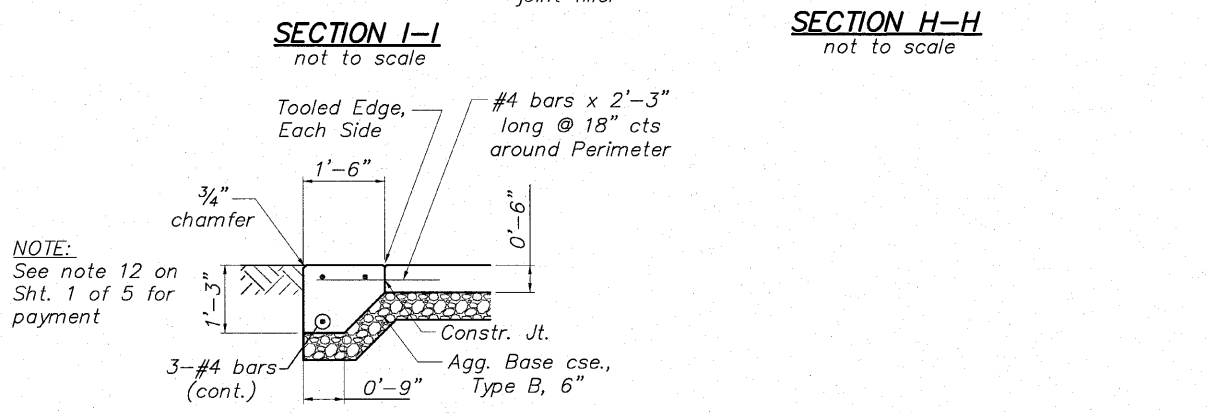
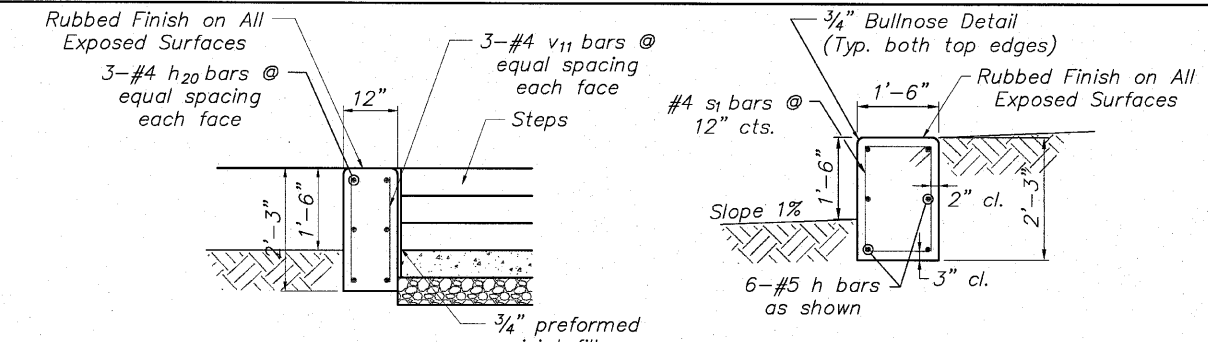


STATE OF ILLINOIS  
DEPARTMENT OF TRANSPORTATION

**BILL OF MATERIALS**

For Sitting Walls, End Walls & Stairs

Bar	No.	Size	Length	Shape
b <sub>1</sub>	27	#5	3'-5"	
b	27	#4	1'-6"	
c	21	#5	7'-8"	
h <sub>11</sub>	6	#5	15'-10"	
h <sub>12</sub>	6	#5	17'-3"	
h <sub>13</sub>	6	#5	28'-11"	
h <sub>14</sub>	6	#5	30'-3"	
h <sub>15</sub>	12	#5	22'-1"	
h <sub>16</sub>	12	#5	22'-11"	
h <sub>17</sub>	12	#5	28'-7"	
h <sub>18</sub>	12	#5	29'-3"	
h <sub>19</sub>	48	#5	3'-8"	
h <sub>20</sub>	48	#4	2'-8"	
v <sub>11</sub>	48	#4	1'-10"	
s <sub>1</sub>	300	#4	6'-9"	
Concrete Structures		Cu. Yd.	40.9	
Reinforcement Bars		Pound	3836	
Rubbed Finish		Sq. Ft.	1102.2	



**SITTING WALLS, STAIRS & SIDEWALK - DETAILS**  
**RIVERWALK AMPHITHEATER**  
**WINNEBAGO COUNTY**  
**SECTION NO. 06-00543-00-BT**  
**STATION 305+38.64**

DESIGNED	CTB
CHECKED	AAG
DRAWN	JAW
CHECKED	JMH

**McClure**  
Engineering Associates, Inc.  
7282 Argus Drive  
Rockford, Illinois 61107-5837  
(815) 398-2332 Fax (815) 398-2496  
Design Firm License: Illinois #184-000816

SHEET NO. 5  
5 SHEETS

F.A. RTE.	SECTION	COUNTY	TOTAL SHEETS	SHEET NO.
	06-00543-00-BT	WINNEBAGO	148	55
CONTRACT NO.			85521	
FED. ROAD DIST. NO.	ILLINOIS	FED. AID PROJECT		