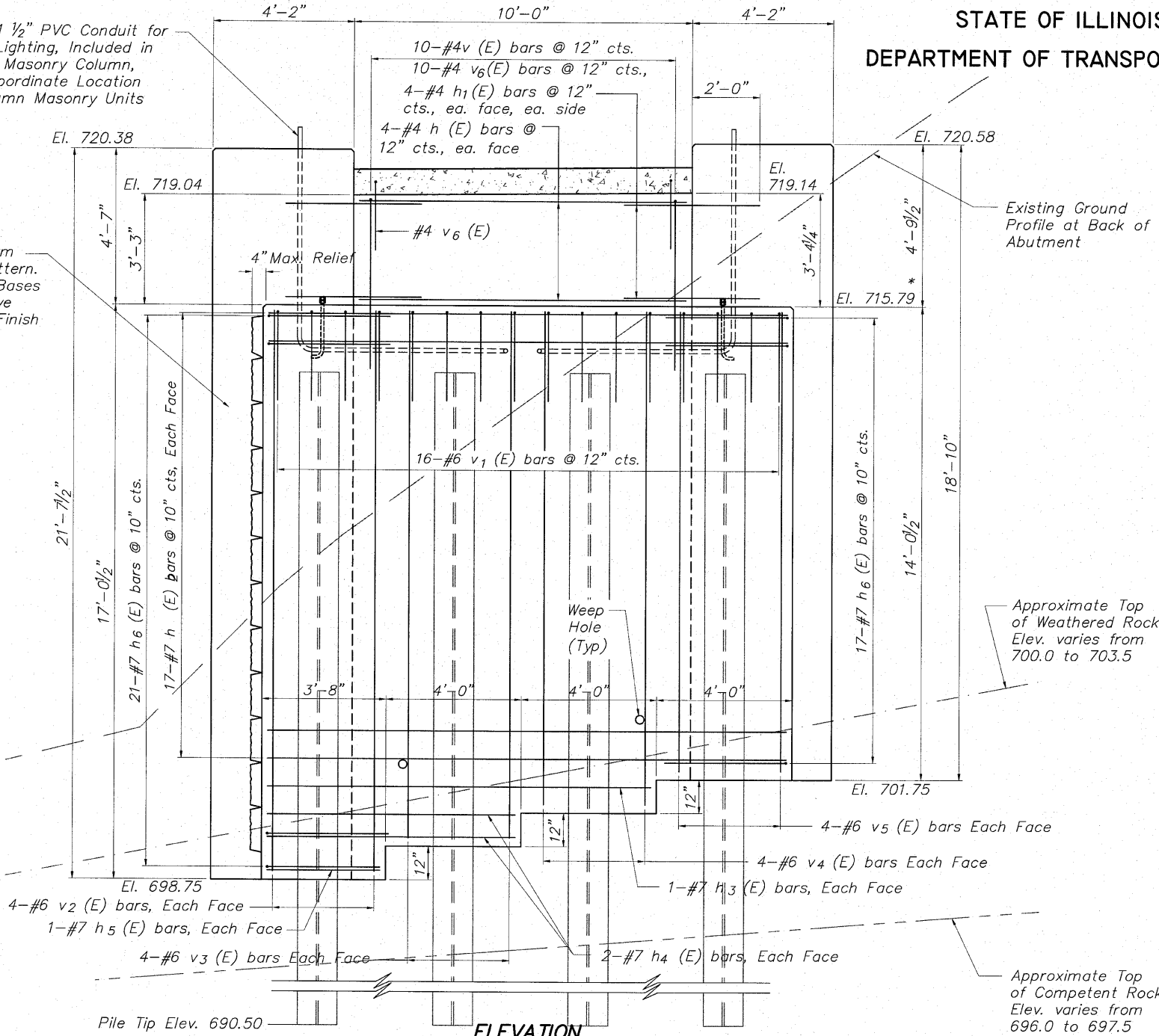
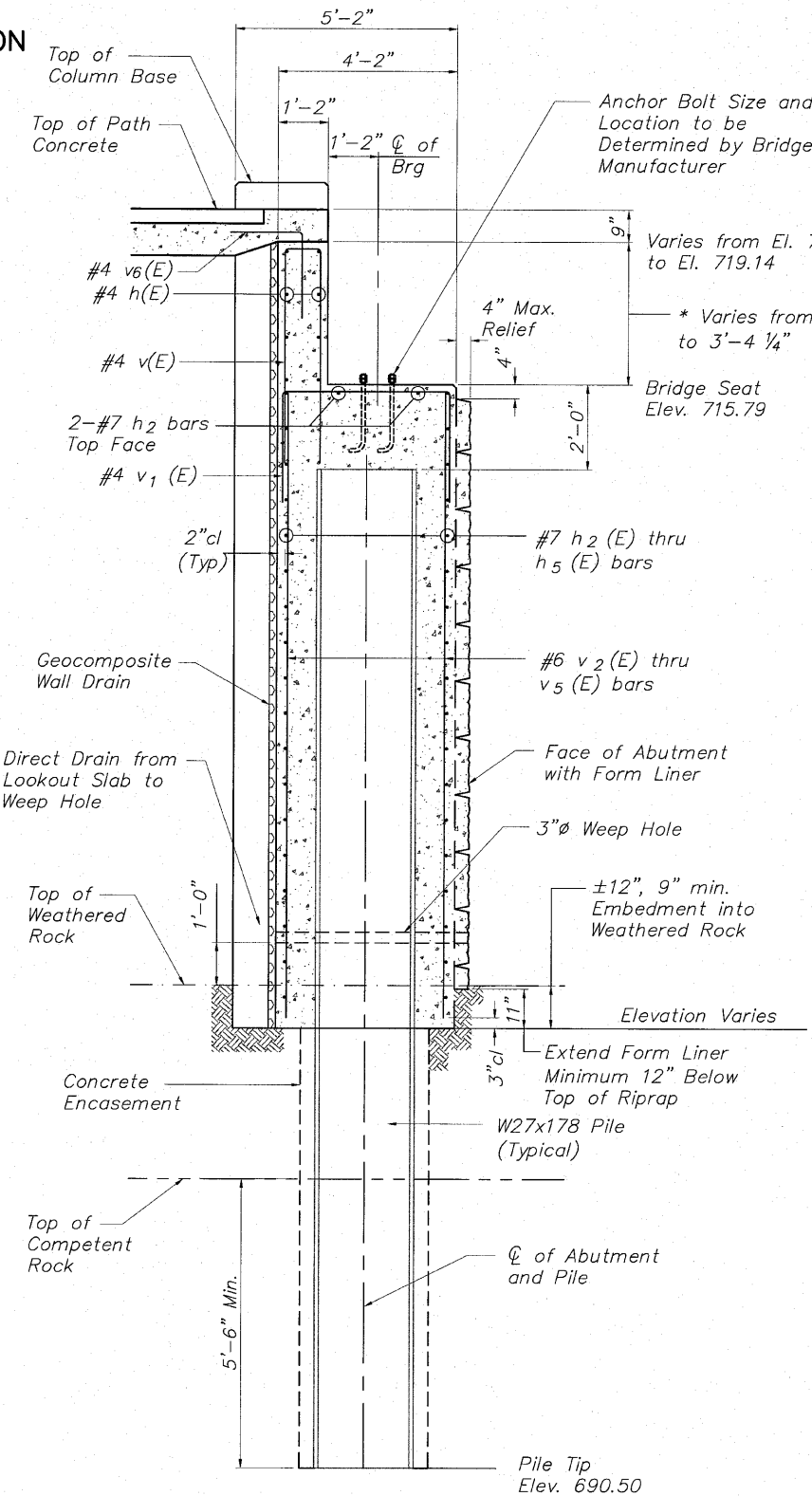
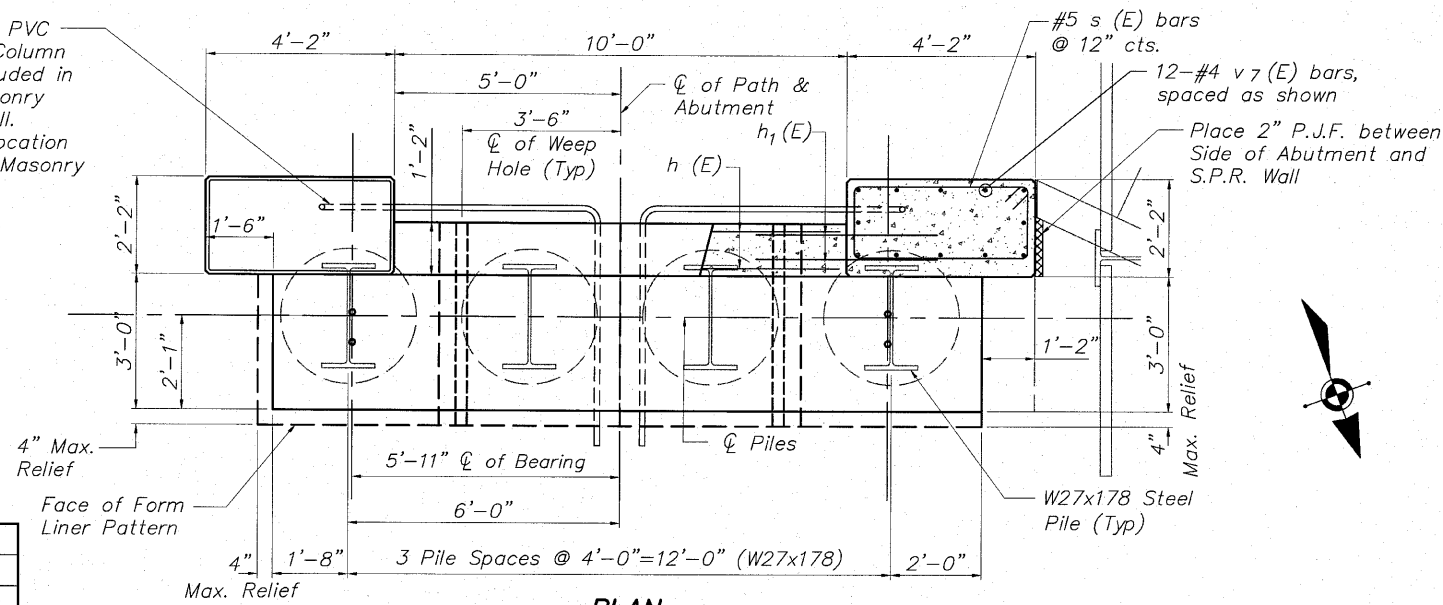


Provide 1 1/2" PVC Conduit for Column Lighting, Included in Cost for Masonry Column, Small. Coordinate Location with Column Masonry Units

Omit Form Liner Pattern. Column Bases to Receive Rubbed Finish



Provide 1 1/2" PVC Conduit for Column Lighting, Included in Cost for Masonry Column, Small. Coordinate Location with Column Masonry Units



Note:  
Abutment Foundations are Designed for a Net Allowable Bearing Pressure of 25 tsf on Rock. Quality of Rock shall be determined and field verified by the Geotechnical Engineer during Excavation

**SOUTH ABUTMENT DETAILS**  
**CABLE-STAYED PEDESTRIAN BRIDGE**  
**PEDESTRIAN RIVERWALK**  
**ALONG THE ROCK RIVER**  
**WINNEBAGO COUNTY**  
**SECTION NO. 06-00543-00-BT**  
**STATION 209+48.25**  
**STRUCTURE NO. 101-6350**

DESIGNED	
CHECKED	
DRAWN	
PEER REVIEWED	

**McClure Engineering Associates, Inc.**  
7282 Argus Drive Rockford, Illinois 61107-5837  
(815) 398-2332 Fax (815) 398-2496  
Design Firm License: Illinois #184-000816  
Copyright 2010 By McClure Engineering Associates, Inc.

SHEET NO. 5  
II SHEETS

F.A. RTE.	SECTION	COUNTY	TOTAL SHEETS	SHEET NO.
	06-00543-00-BT	WINNEBAGO	148	60
CONTRACT NO.				85521
FED. ROAD DIST. NO.	ILLINOIS	FED. AID PROJECT		