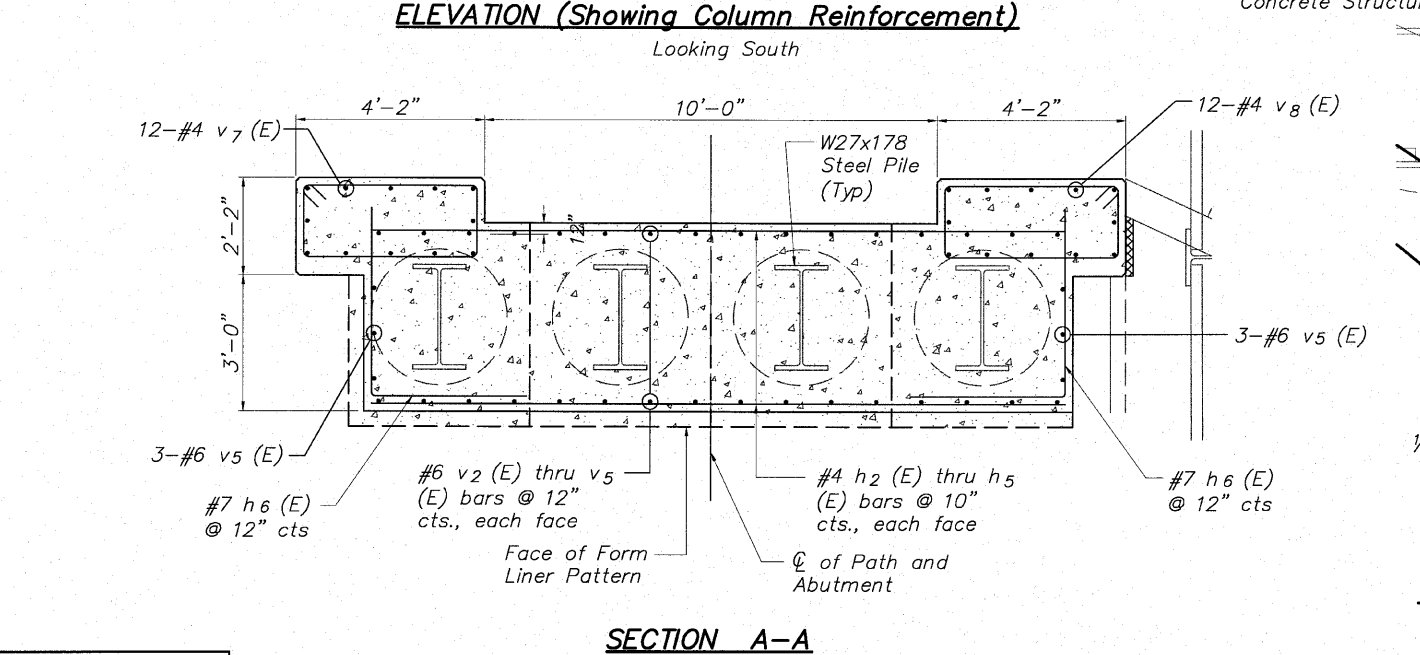
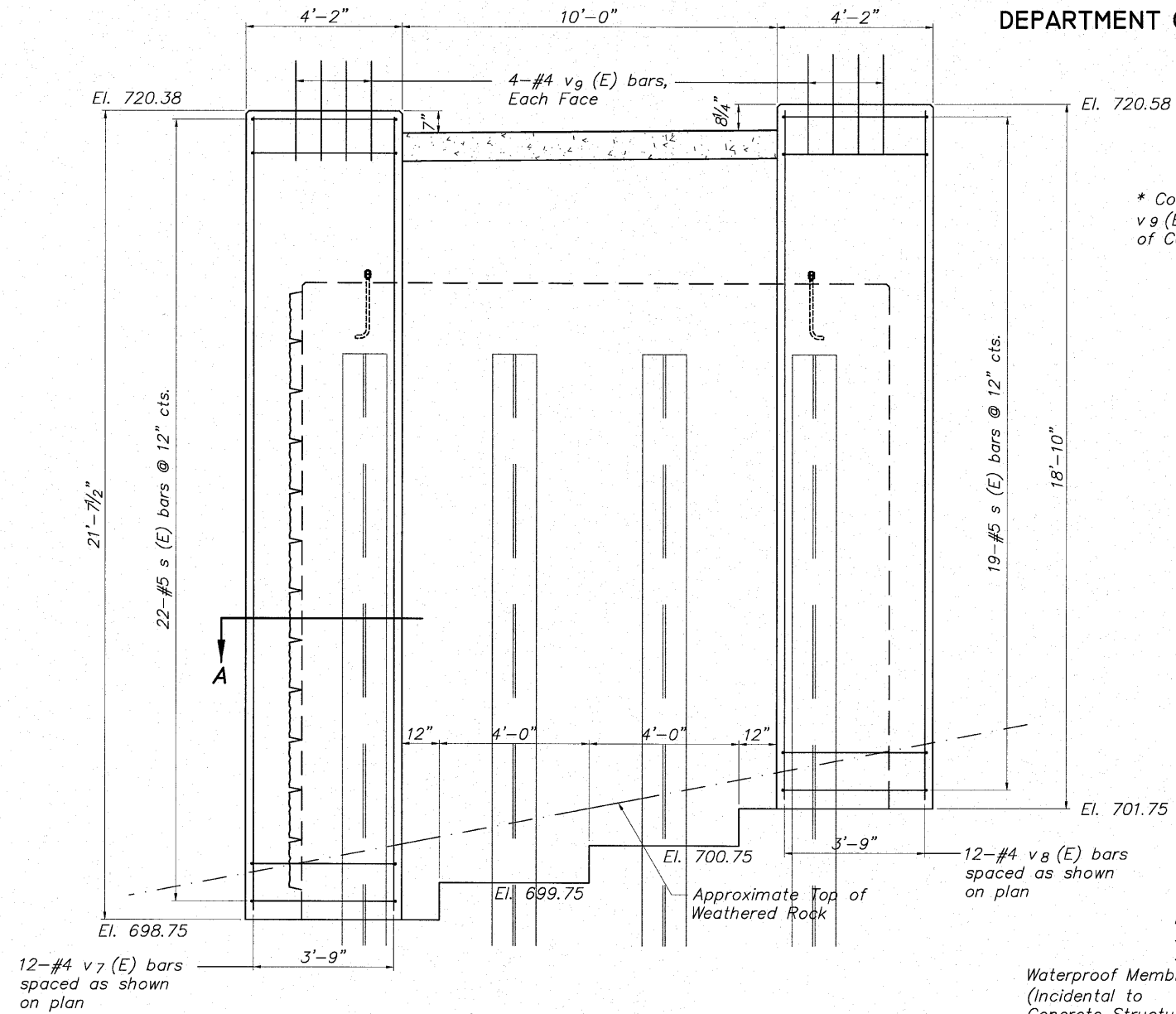
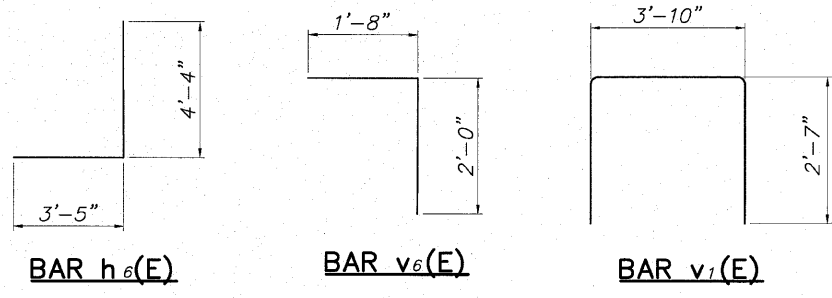
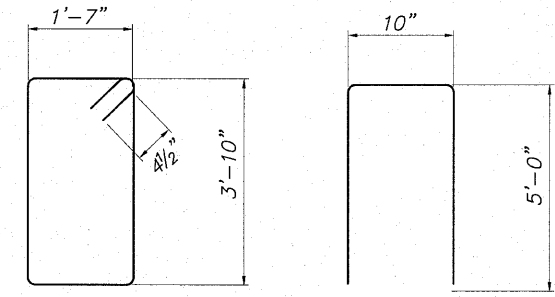


STATE OF ILLINOIS
DEPARTMENT OF TRANSPORTATION

BILL OF MATERIAL
South Abutment For Struct. No. 101-6350



DESIGNED	CTB
CHECKED	AAG
DRAWN	JAW
PEER REVIEWED	

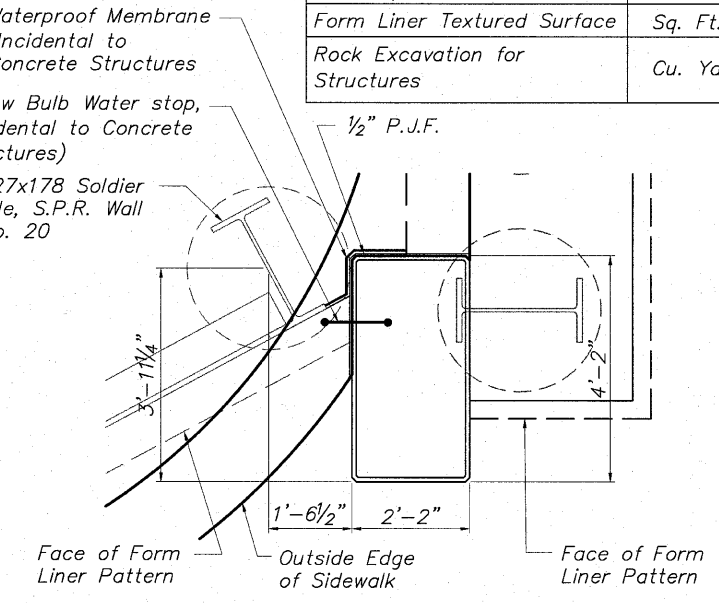
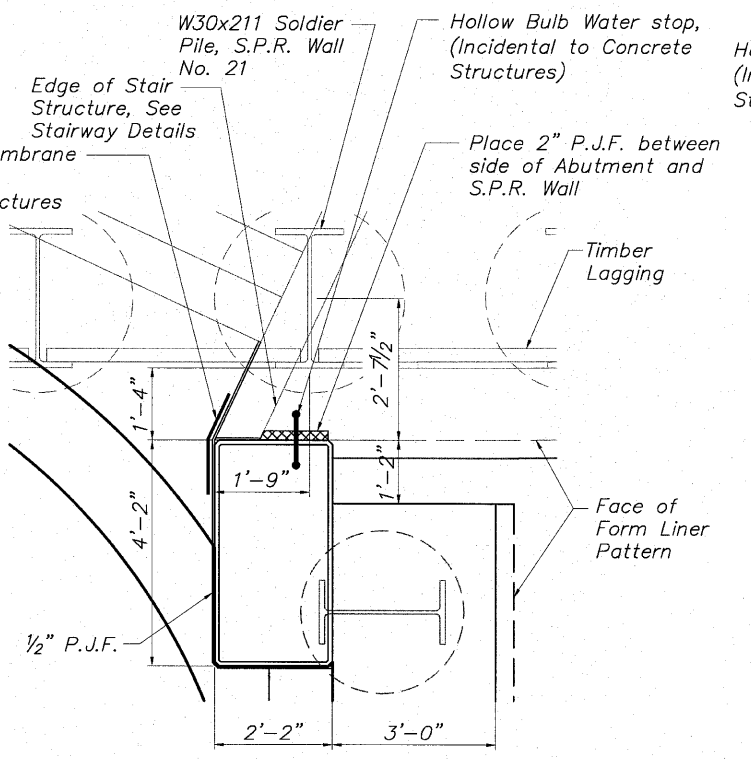


MINIMUM BAR LAP

No. 4 bars	1'-8"
No. 5 bars	2'-2"
No. 6 bars	2'-7"
No. 7 bars	3'-5"

Bar	No.	Size	Length	Shape
h (E)	8	#4	9'-8"	—
h1 (E)	16	#4	4'-0"	—
h2 (E)	36	#7	15'-4"	—
h3 (E)	2	#7	11'-4"	—
h4 (E)	4	#7	7'-4"	—
h5 (E)	2	#7	3'-4"	—
h6 (E)	38	#7	7'-9"	┌
s (E)	41	#5	11'-7"	□
v (E)	10	#4	10'-10"	▭
v1 (E)	16	#6	9'-0"	▭
v2 (E)	11	#6	16'-7"	—
v3 (E)	8	#6	15'-7"	—
v4 (E)	8	#6	14'-7"	—
v5 (E)	11	#6	13'-7"	—
v6 (E)	10	#4	3'-8"	┌
v7 (E)	12	#4	21'-2"	—
v8 (E)	12	#4	18'-5"	—
v9 (E)	16	#4	2'-8"	—

Concrete Structures	Cu. Yd.	51.8
Reinforcement Bars (Epoxy Coated)	Pound	3,490
Furnishing Steel Piles W Section W27x178	Foot	96
Setting Piles in Rock	Each	4
Geocomposite Wall Drain	Sq. Yd.	42.5
Form Liner Textured Surface	Sq. Ft.	276
Rock Excavation for Structures	Cu. Yd.	8.0



WEST SIDE SOUTH ABUTMENT PLAN

EAST SIDE SOUTH ABUTMENT PLAN

SOUTH ABUTMENT DETAILS
CABLE-STAYED PEDESTRIAN BRIDGE
PEDESTRIAN RIVERWALK
ALONG THE ROCK RIVER
WINNEBAGO COUNTY
SECTION NO. 06-00543-00-BT
STATION 209+48.25
STRUCTURE NO. 101-6350

McClure
Engineering Associates, Inc.
7282 Argus Drive
Rockford, Illinois 61107-5837
(815) 399-2332 Fax: (815) 399-2496
Design Firm License: Illinois #184-000816
Copyright 2010 By McClure Engineering Associates, Inc.

SHEET NO. 6
II SHEETS

F.A. RTE.	SECTION	COUNTY	TOTAL SHEETS	SHEET NO.
	06-00543-00-BT	WINNEBAGO	148	61
CONTRACT NO.			85521	
FED. ROAD DIST. NO.	ILLINOIS	FED. AID PROJECT		