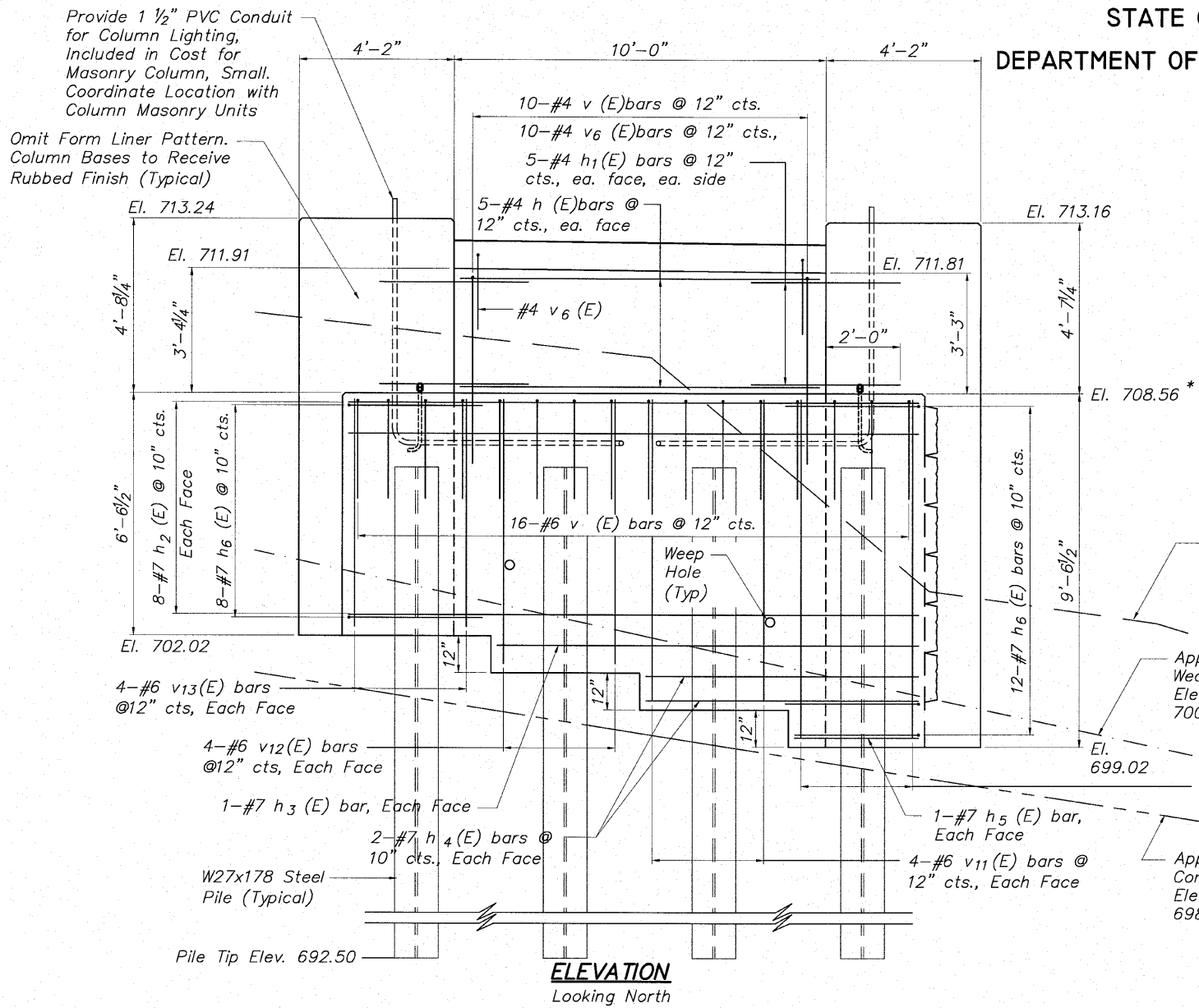
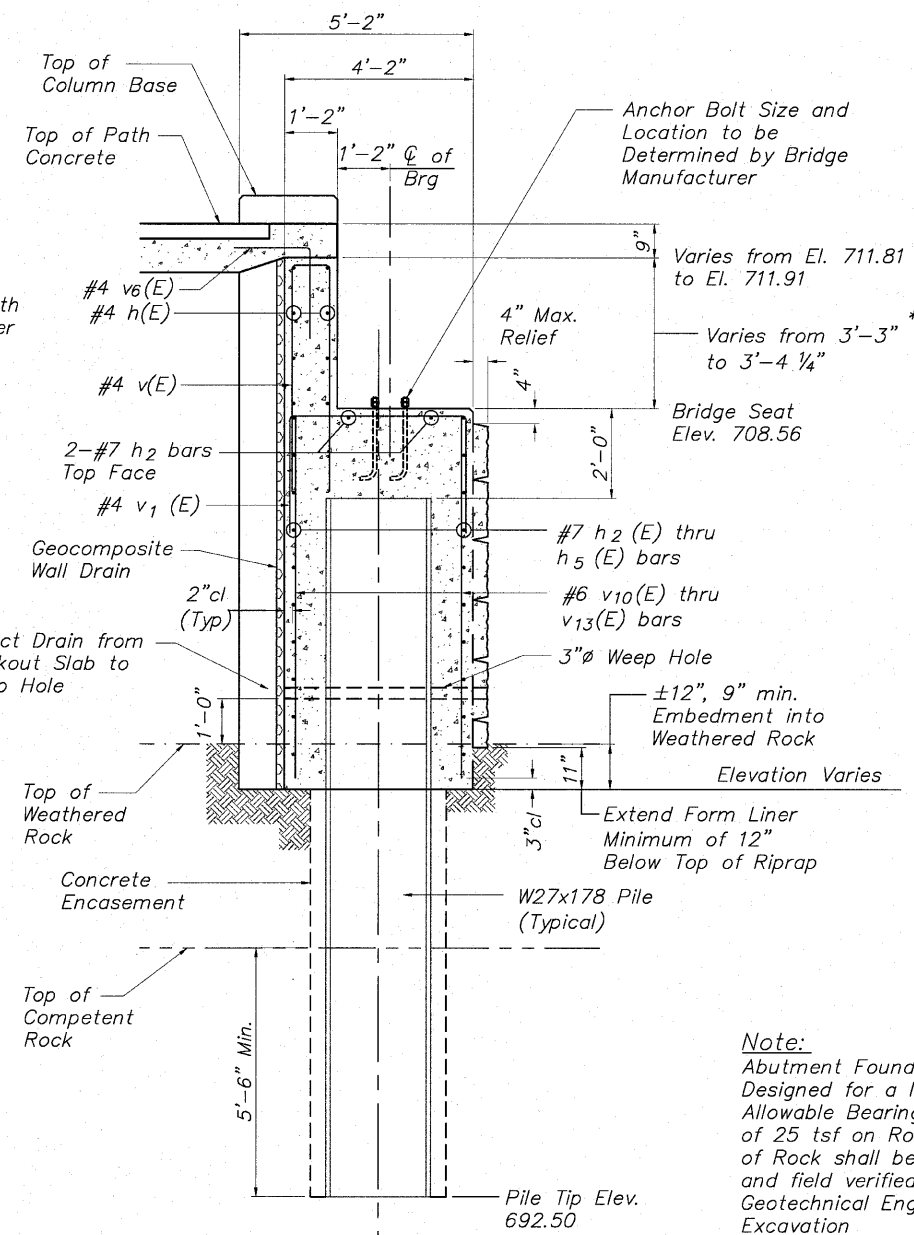


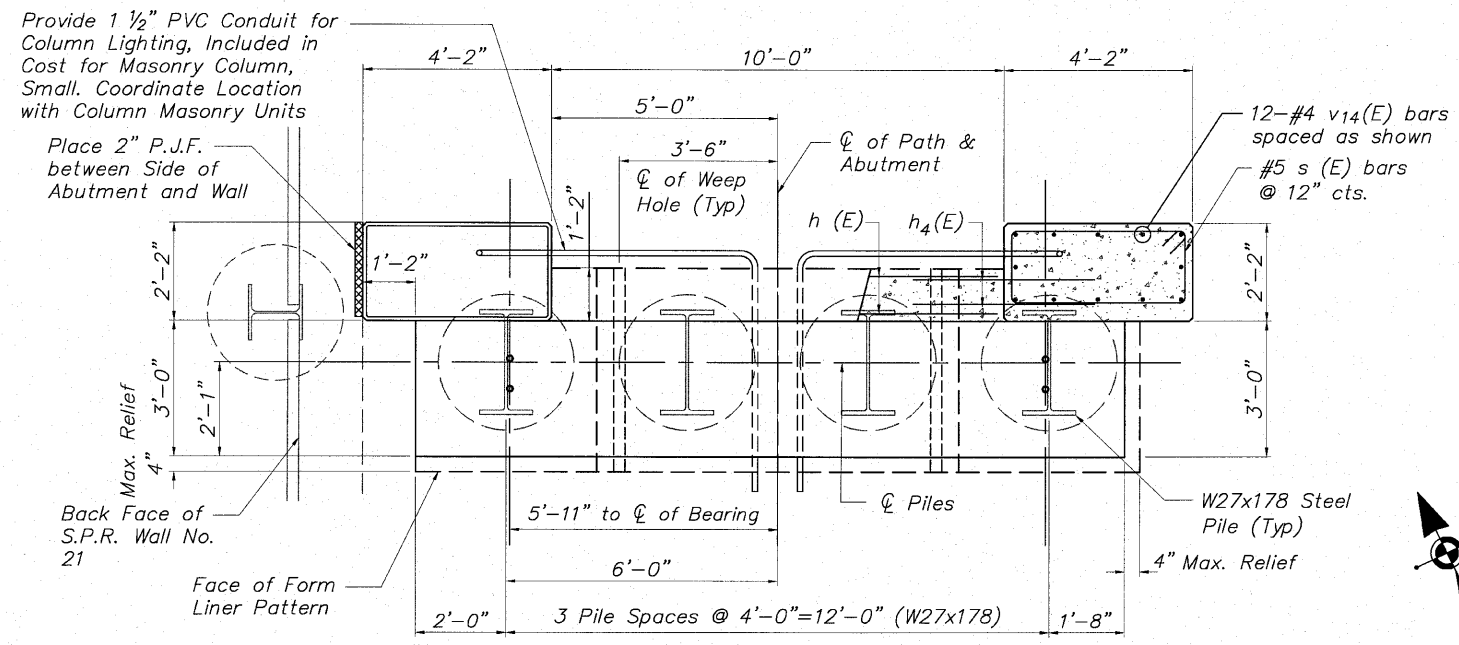
STATE OF ILLINOIS
DEPARTMENT OF TRANSPORTATION



* The Contractor shall Verify Elevations and Dimensions with the Bridge Manufacturer. Refer to the General Notes.



Note:
Abutment Foundations are Designed for a Net Allowable Bearing Pressure of 25 tsf on Rock. Quality of Rock shall be determined and field verified by the Geotechnical Engineer during Excavation



SEC THRU NORTH ABUT

NORTH ABUTMENT DETAILS
CABLE-STAYED PEDESTRIAN BRIDGE
PEDESTRIAN RIVERWALK
ALONG THE ROCK RIVER
WINNEBAGO COUNTY
SECTION NO. 06-00543-00-BT
STATION 209+48.25
STRUCTURE NO. 101-6350

DESIGNED	CTB
CHECKED	AAG
DRAWN	JAW
PEER REVIEWED	

McClure
Engineering Associates, Inc.
7282 Argue Drive
Rockford, Illinois 61107-5837
(815) 398-2332 Fax (815) 398-2466
Design Firm License: Illinois #154-000816
Copyright 2010 By McClure Engineering Associates, Inc.

SHEET NO. 7
II SHEETS

F.A. RTE.	SECTION	COUNTY	TOTAL SHEETS	SHEET NO.
	06-00543-00-BT	WINNEBAGO	148	62
FED. ROAD DIST. NO.	ILLINOIS	FED. AID PROJECT	CONTRACT NO. 85521	