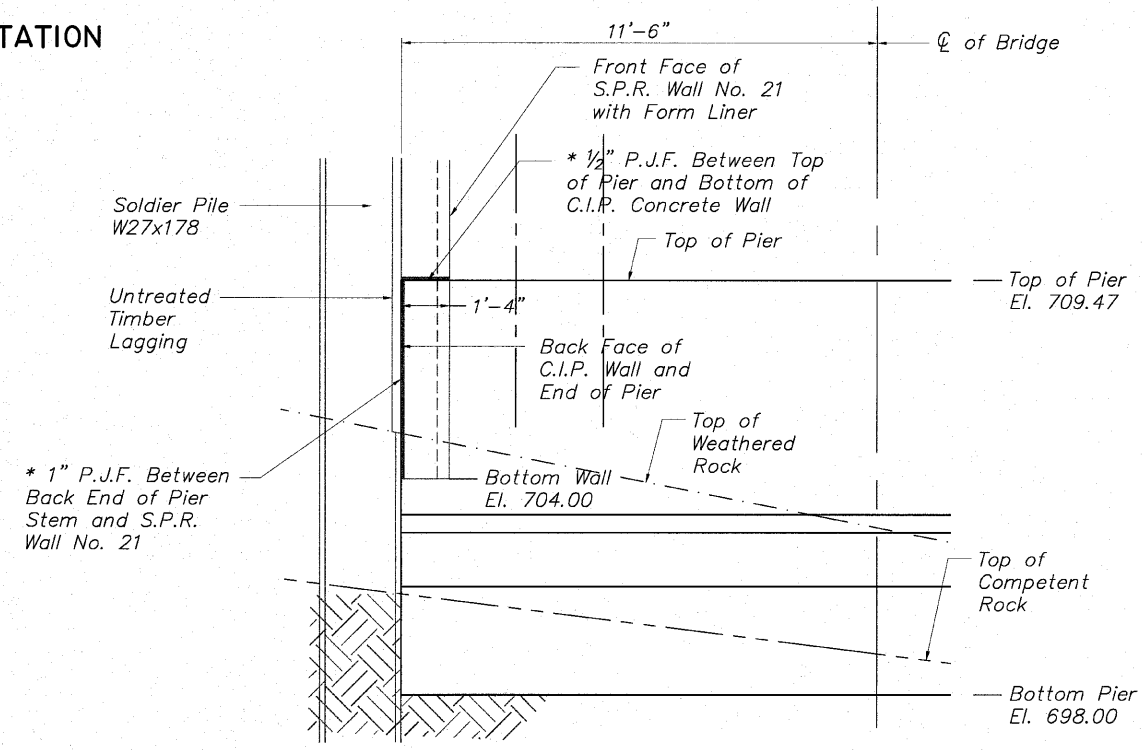


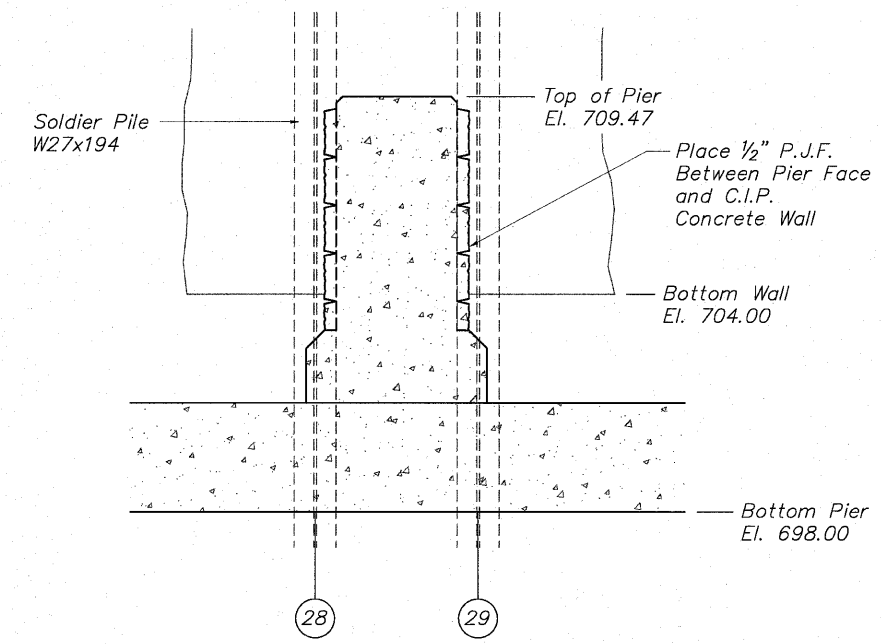
**BASE SLAB PLAN**

Note: The Contractor shall coordinate the location of the Pier with S.P. Wall 21. Refer to S.P. Wall 21 Plans.



**ELEVATION (Showing S.P.R. Wall No. 21)**

\* Cost Included with Concrete Structures



**SECTION (Showing S.P.R. Wall No. 21)**

**PIER DETAILS**  
**CABLE-STAYED PEDESTRIAN BRIDGE**  
**PEDESTRIAN RIVERWALK**  
**ALONG THE ROCK RIVER**  
**WINNEBAGO COUNTY**  
**STATION 209+48.25**  
**STRUCTURE NO. 101-6350**

DESIGNED	CTB
CHECKED	AAG
DRAWN	JAW
PEER REVIEWED	

**McClure**  
Engineering Associates, Inc.  
7282 Argus Drive  
(815) 398-2332  
Rockford, Illinois 61107-5837  
Fax (815) 398-2456  
Design Firm License: Illinois #184-000816  
Copyright 2010 By McClure Engineering Associates, Inc.

SHEET NO. 10  
II SHEETS

F.A. RTE.	SECTION	COUNTY	TOTAL SHEETS	SHEET NO.
	06-00543-00-BT	WINNEBAGO	148	65
FED. ROAD DIST. NO.		ILLINOIS	CONTRACT NO. 85521	
		FED. AID PROJECT		

I:\100-008 Riverwalk Museum\DESIGN\DRAWINGS\STRUCTURAL\CP&E\08-008 Bridges-6350 sub.dwg, Sfr 6350 Pier (10), 9/9/2010 11:18:29 AM, H&A, Cee Dr 24x36 in (Landscape), LT