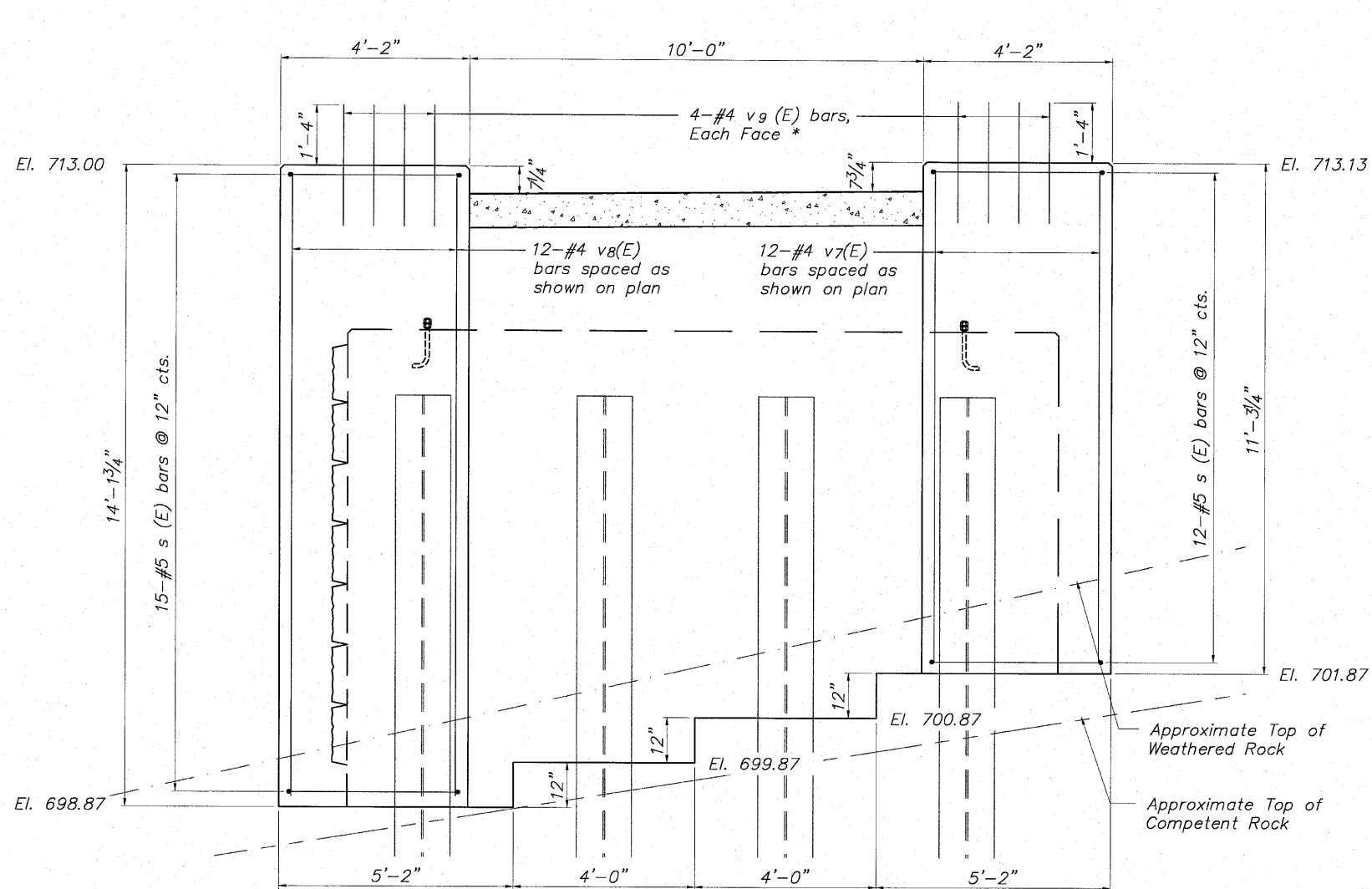
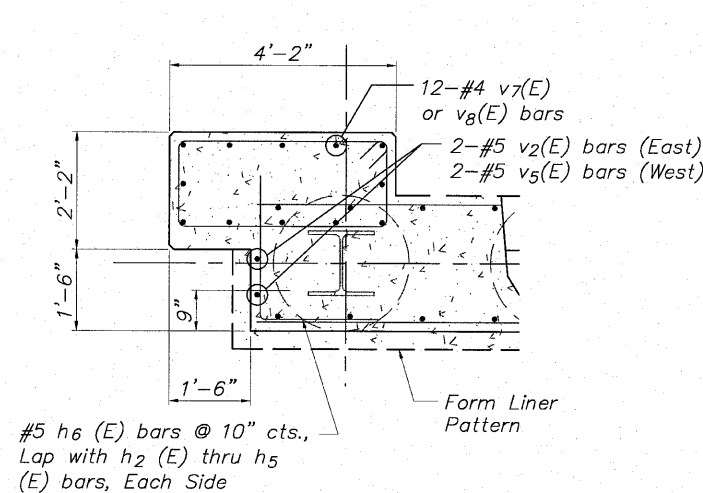


STATE OF ILLINOIS
DEPARTMENT OF TRANSPORTATION

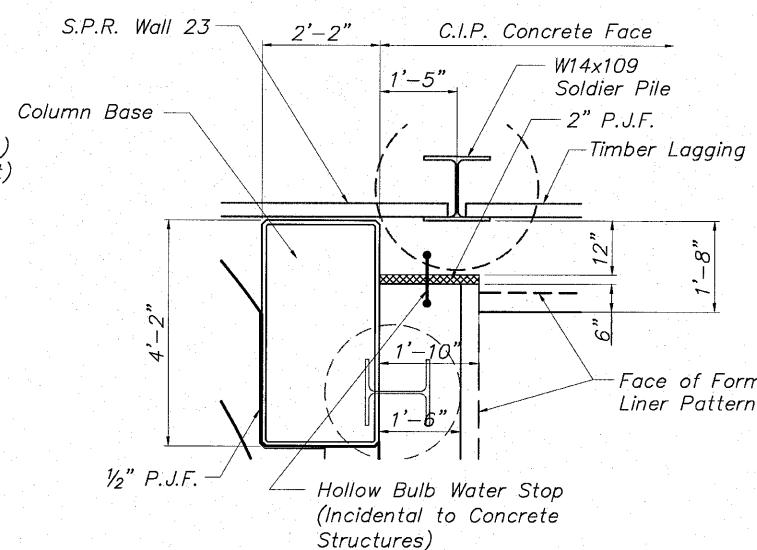
* Coordinate location of
v₉(E) bars with cores
of Column Masonry Units



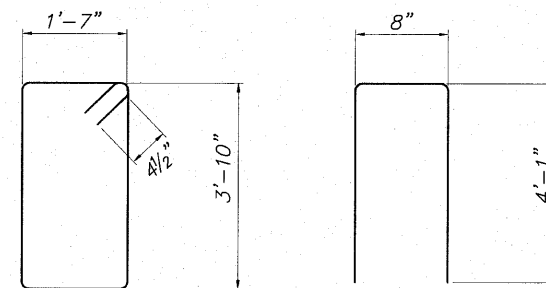
ELEVATION (Showing Column Reinforcement)
Looking South



TYPICAL SECTION AT COLUMN

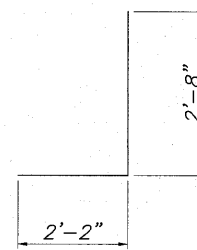


WEST SIDE SOUTH ABUT PLAN

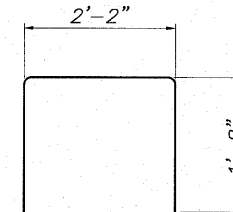


BAR s (E)

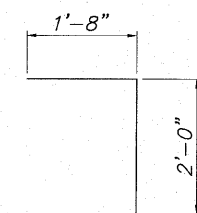
BAR v (E)



BAR h₆(E)



BAR v₁(E)



BAR v₆(E)

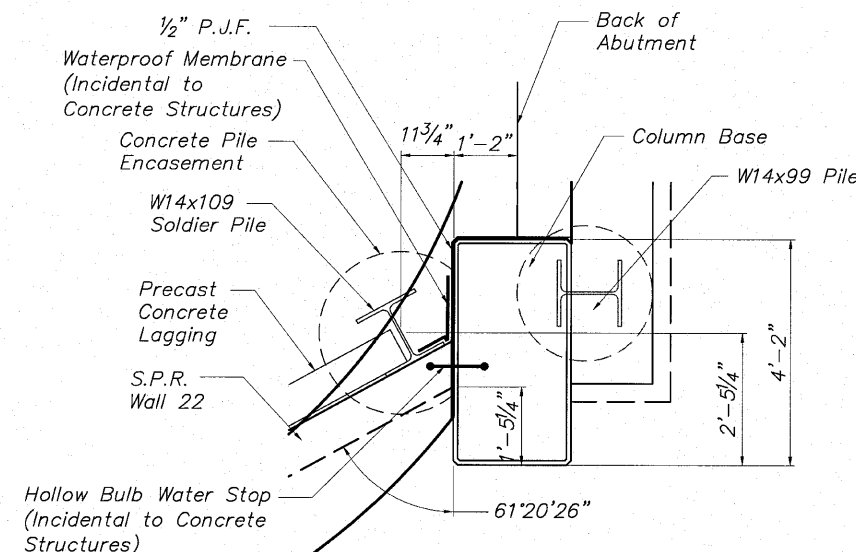
MINIMUM BAR LAP

No. 4 bars 1'-8"
No. 5 bars 2'-2"

BILL OF MATERIAL

South Abutment For Struct. No. 101-6351

Bar	No.	Size	Length	Shape
h (E)	6	#4	9'-8"	—
h ₁ (E)	12	#4	4'-0"	—
h ₂ (E)	19	#5	15'-4"	—
h ₃ (E)	2	#5	11'-4"	—
h ₄ (E)	4	#5	7'-4"	—
h ₅ (E)	2	#5	3'-4"	—
h ₆ (E)	22	#5	4'-10"	└
s (E)	27	#5	11'-7"	□
v (E)	10	#4	8'-10"	—
v ₁ (E)	12	#4	5'-6"	—
v ₂ (E)	8	#5	10'-1"	—
v ₃ (E)	6	#5	9'-1"	—
v ₄ (E)	6	#5	8'-1"	—
v ₅ (E)	8	#5	7'-1"	—
v ₆ (E)	10	#4	3'-8"	└
v ₇ (E)	12	#4	10'-10"	—
v ₈ (E)	12	#4	13'-8"	—
v ₉ (E)	16	#4	2'-8"	—
Concrete Structures			Cu. Yd.	22.2
Reinforcement Bars (Epoxy Coated)			Pound	1,480
Furnishing Soldier Pile W Section W14x99			Foot	61
Setting Piles in Rock			Each	4
Geocomposite Wall Drain			Sq. Yd.	25.9
Form Liner Textured Surface			Sq. Ft.	135



EAST SIDE SOUTH ABUT PLAN

**SOUTH ABUTMENT DETAILS
PEDESTRIAN TRUSS BRIDGE
PEDESTRIAN RIVERWALK
ALONG THE ROCK RIVER
WINNEBAGO COUNTY
SECTION NO. 06-00543-00-BT
STATION 210+90.67 TO
STATION 211+87.01
STRUCTURE NO. 101-6351**

DESIGNED	CTB
CHECKED	AAG
DRAWN	JAW
PEER REVIEWED	

McClure
Engineering Associates, Inc.
7282 Argus Drive
Rockford, Illinois 61107-5837
(815) 398-2332 Fax (815) 398-2486
Design Firm License: Illinois 184-000816

SHEET NO. 5
8 SHEETS

F.A. RTE.	SECTION	COUNTY	TOTAL SHEETS	SHEET NO.
	06-00543-00-BT	WINNEBAGO	148	71
CONTRACT NO.			85521	
FED. ROAD DIST. NO.	ILLINOIS	FED. AID PROJECT		