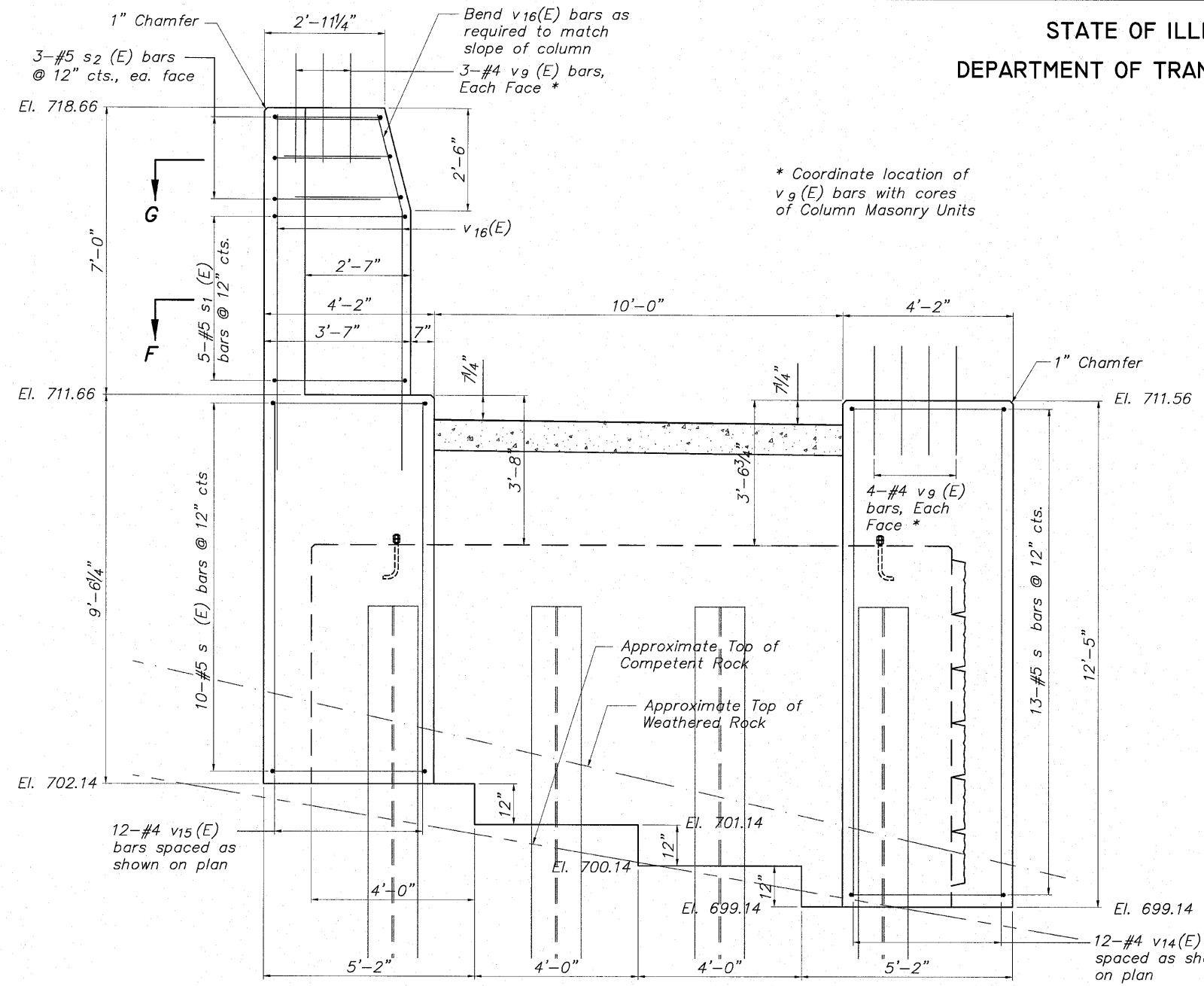
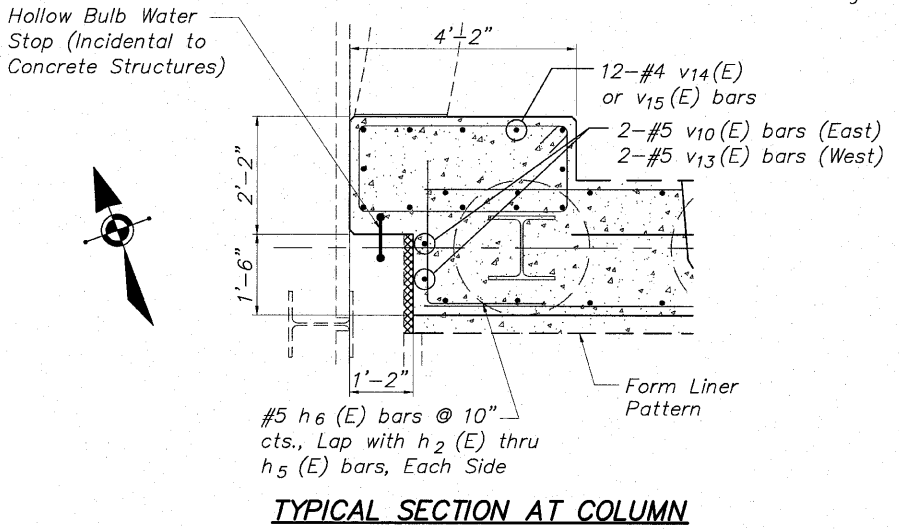


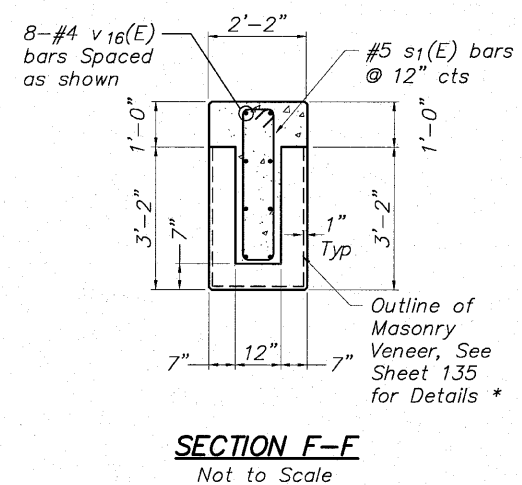
STATE OF ILLINOIS
DEPARTMENT OF TRANSPORTATION



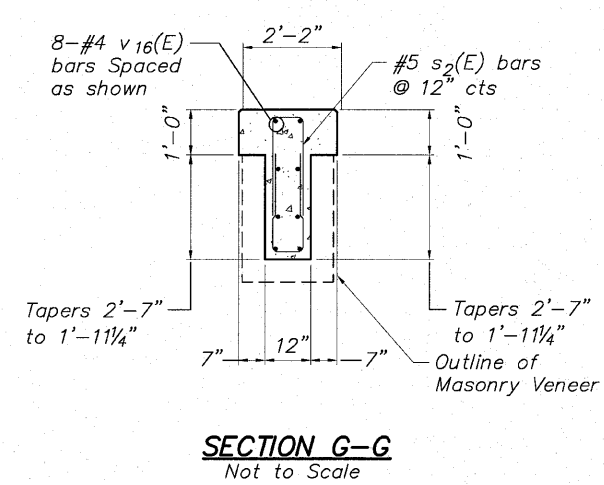
ELEVATION (Showing Column Reinforcement)
Looking North



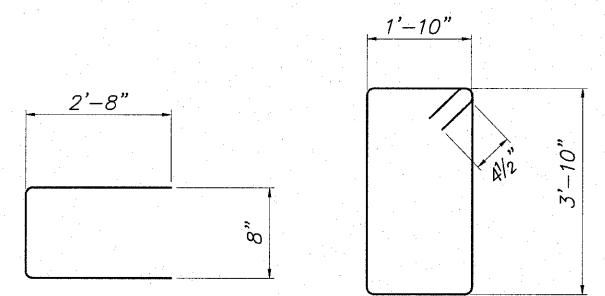
TYPICAL SECTION AT COLUMN



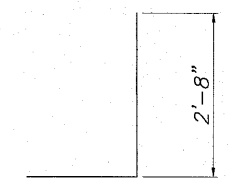
SECTION F-F
Not to Scale



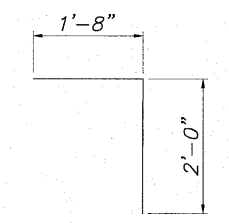
SECTION G-G
Not to Scale



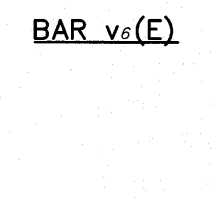
BAR s2(E)



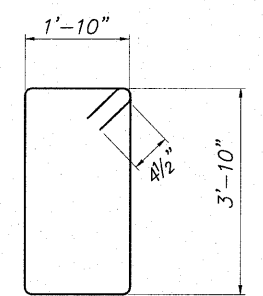
BAR s(E)



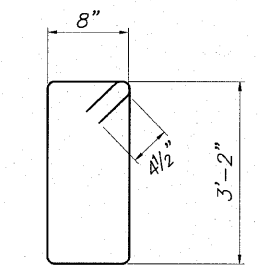
BAR h6(E)



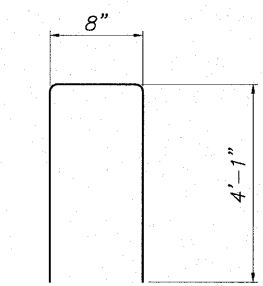
BAR v6(E)



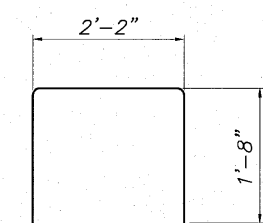
BAR s(E)



BAR s1(E)



BAR v(E)



BAR v1(E)

BILL OF MATERIAL
North Abutment For Struct. No. 101-6351

Bar	No.	Size	Length	Shape
h (E)	6	#4	9'-8"	—
h1(E)	12	#4	4'-0"	—
h2(E)	15	#5	15'-4"	—
h3(E)	2	#5	11'-4"	—
h4(E)	4	#5	7'-4"	—
h5(E)	2	#5	3'-4"	—
h6(E)	18	#5	4'-10"	—
s (E)	23	#5	11'-7"	□
s1(E)	5	#5	8'-5"	□
s2(E)	6	#5	6'-0"	□
v (E)	10	#4	8'-10"	□
v1(E)	12	#4	5'-6"	□
v6(E)	10	#4	3'-8"	□
v9(E)	14	#4	2'-8"	—
v10(E)	8	#5	8'-4"	—
v11(E)	6	#5	7'-4"	—
v12(E)	6	#5	6'-4"	—
v13(E)	8	#5	5'-4"	—
v14(E)	12	#4	12'-0"	—
v15(E)	12	#4	9'-1"	—
v16(E)	8	#4	8'-8"	—
Concrete Structures		Cu. Yd.	19.7	
Reinforcement Bars (Epoxy Coated)		Pound	1,390	
Furnishing Soldier Pile W Section W14x99		Foot	52	
Setting Piles in Rock		Each	4	
Geocomposite Wall Drain		Sq. Yd.	21.1	
Form Liner Textured Surface		Sq. Ft.	108	

MINIMUM BAR LAP
No. 4 bars 1'-8"
No. 5 bars 2'-2"

NORTH ABUTMENT DETAILS
PEDESTRIAN TRUSS BRIDGE
PEDESTRIAN RIVERWALK
ALONG THE ROCK RIVER
WINNEBAGO COUNTY
SECTION NO. 06-00543-00-BT
STATION 210+90.67 TO
STATION 211+87.01
STRUCTURE NO. 101-6351

DESIGNED	CTB
CHECKED	AAG
DRAWN	JAW
PEER REVIEWED	

McClure
Engineering Associates, Inc.
2282 Argus Drive
Rockford, Illinois 61107-5837
(815) 398-2332 Fax (815) 398-2496
Design Firm License: Illinois #184-000816

SHEET NO. 7 8 SHEETS	F.A. RTE.	SECTION	COUNTY	TOTAL SHEETS	SHEET NO.
		06-00543-00-BT	WINNEBAGO	148	73
FED. ROAD DIST. NO.			ILLINOIS	FED. AID PROJECT	
			CONTRACT NO.	85521	