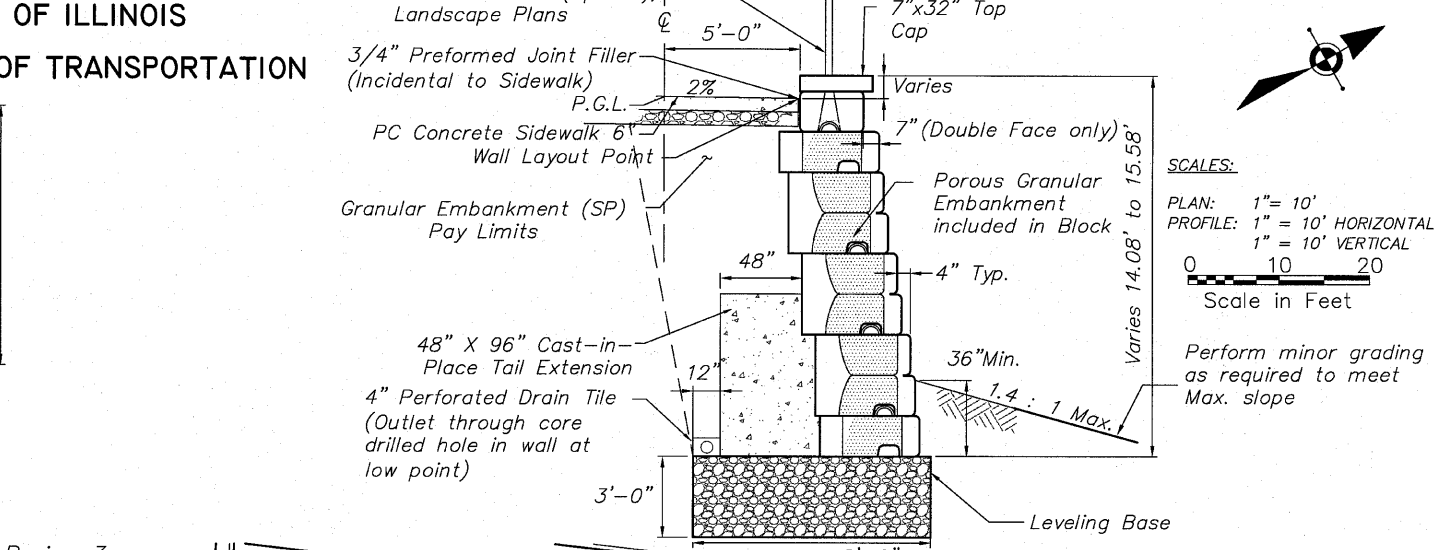
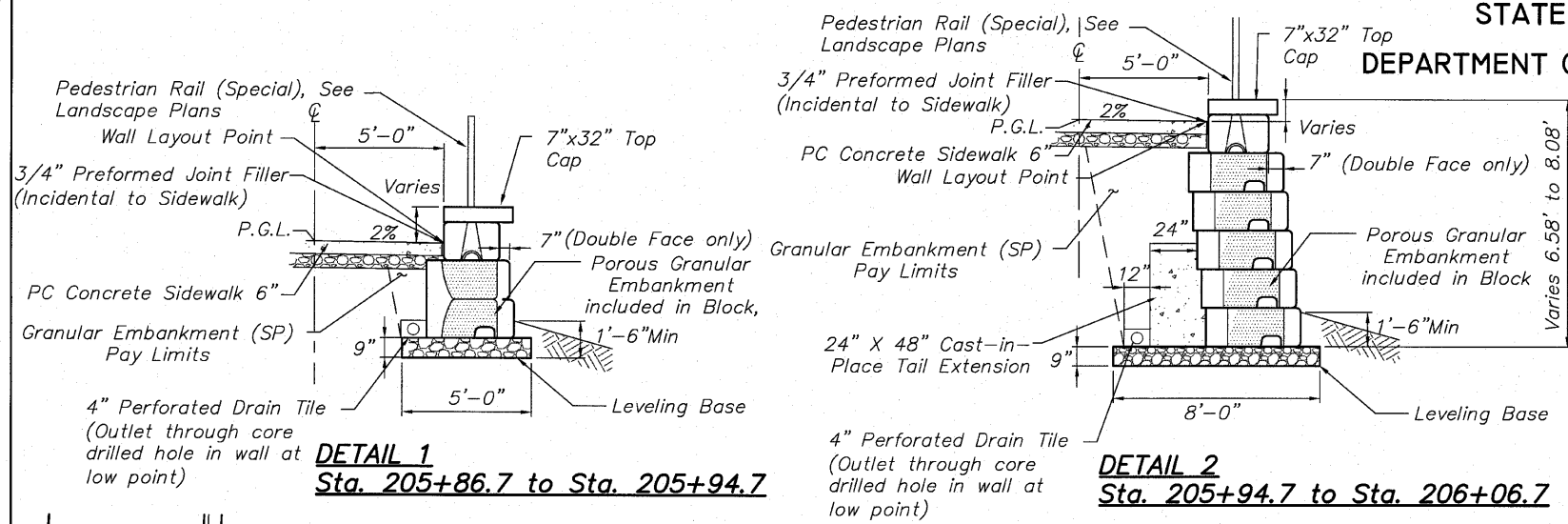
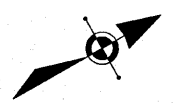
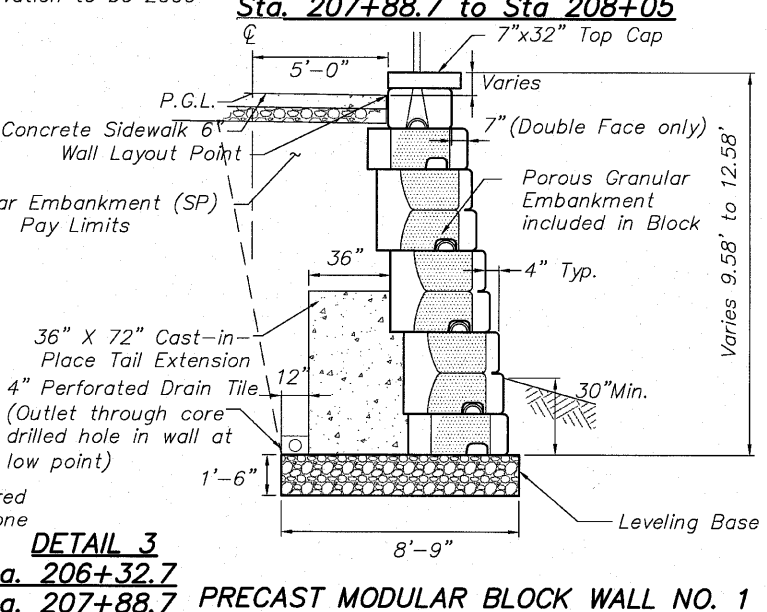
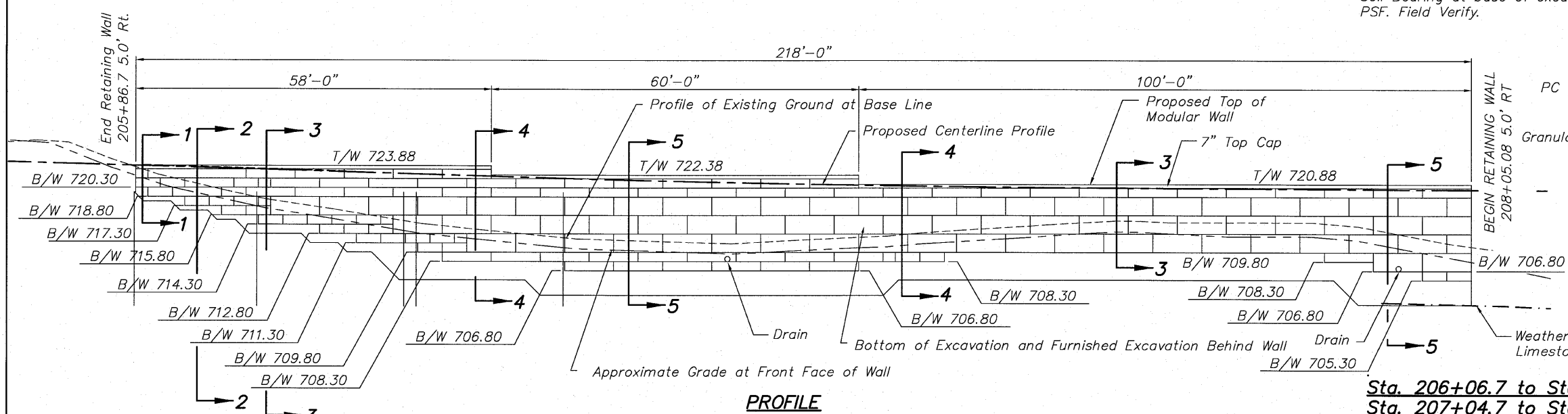
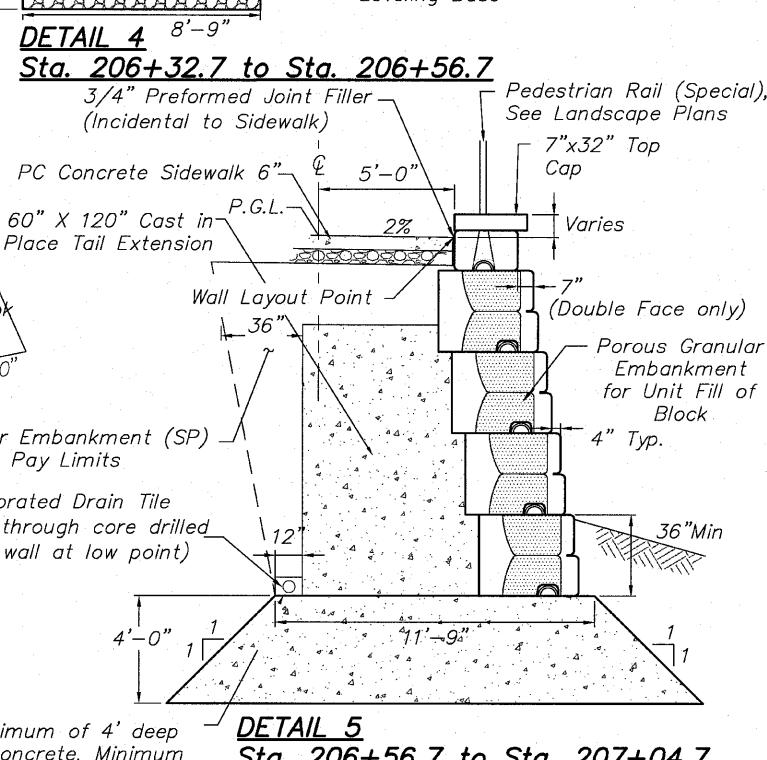
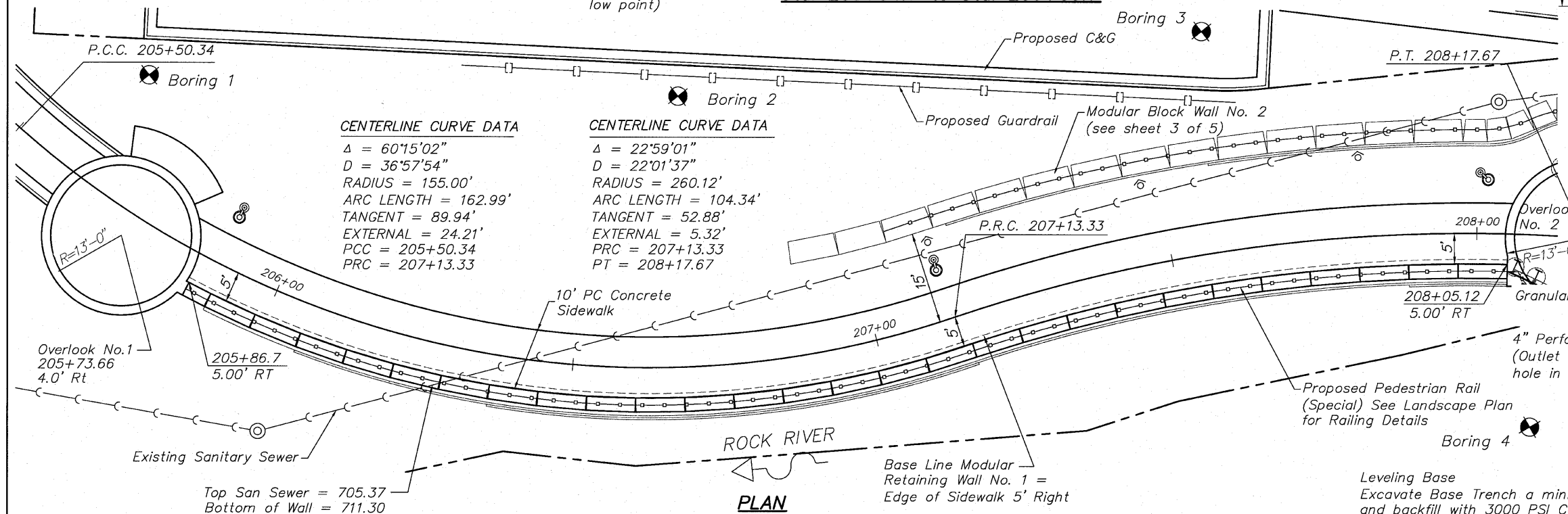


STATE OF ILLINOIS
DEPARTMENT OF TRANSPORTATION



SCALES:
PLAN: 1" = 10'
PROFILE: 1" = 10' VERTICAL
Scale in Feet



DESIGNED	CTB
CHECKED	AAG
DRAWN	JAW
CHECKED	JWH

SEE CONSTRUCTION SEQUENCE NOTE 14 ON SHEET 73

McClure
Engineering Associates, Inc.
7282 Argus Drive
Rockford, Illinois 61107-9837
(815) 398-2332 Fax (815) 398-2496
Design Firm License: Illinois #184-000816
Copyright 2010 By McClure Engineering Associates, Inc.

SHEET NO. 2
5 SHEETS

F.A. RTE.	SECTION	COUNTY	TOTAL SHEETS	SHEET NO.
	06-00543-00-BT	WINNEBAGO	148	76
FED. ROAD DIST. NO.	ILLINOIS	FED. AID PROJECT	CONTRACT NO. 85521	

H:\08-008 RIVERWALK MUSEUM\DESIGN\DRAWINGS\STRUCTURAL\WALLS.DWG. MRWJ, 9/2/2010 10:27:20 PM. I.I. JWH