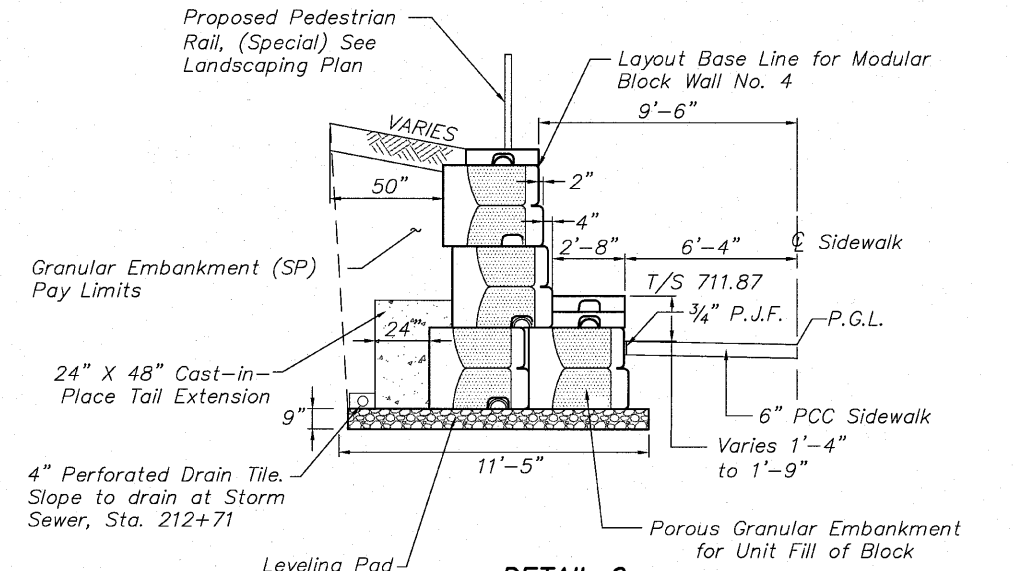
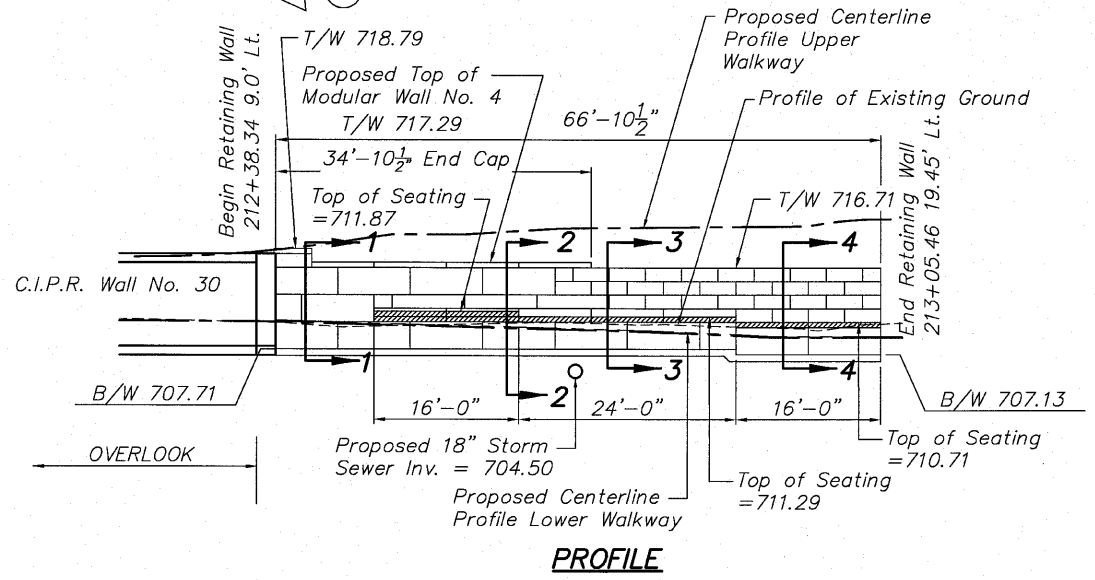
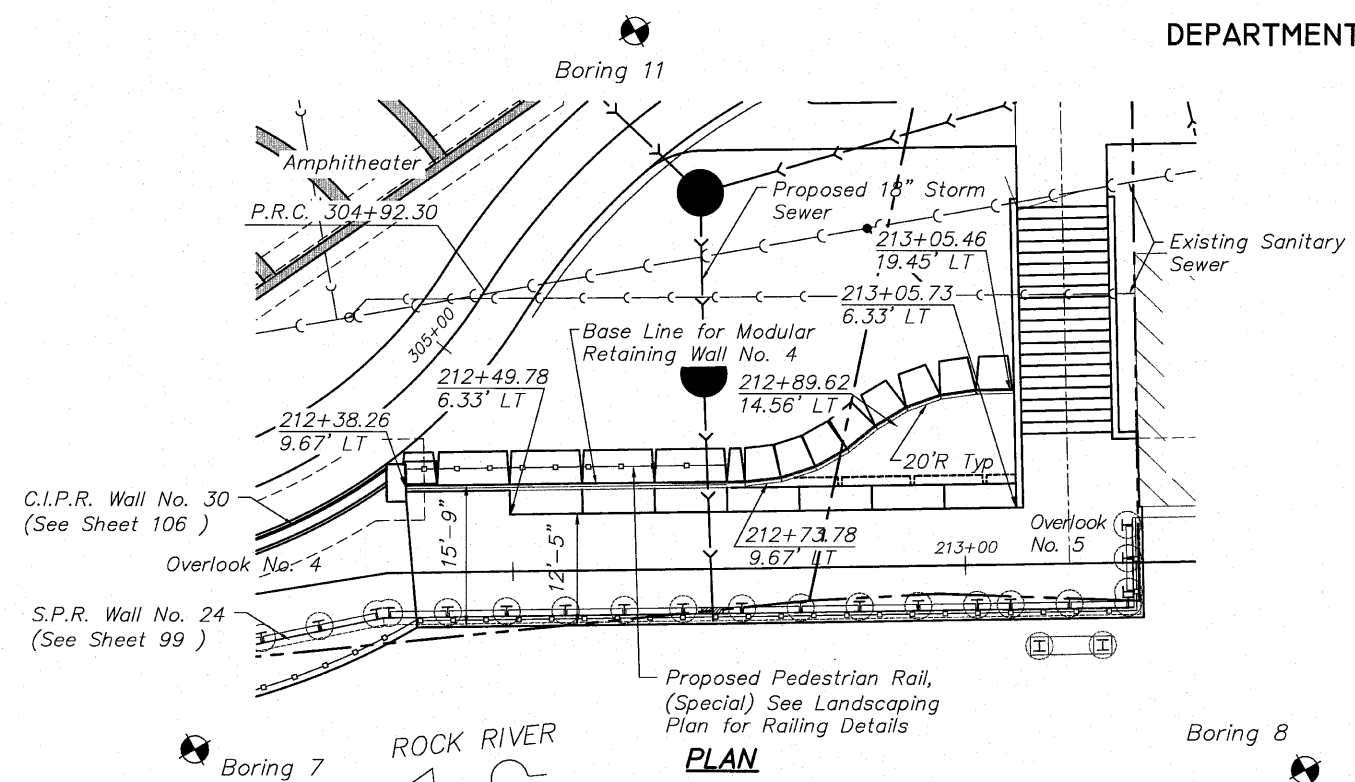


STATE OF ILLINOIS
DEPARTMENT OF TRANSPORTATION

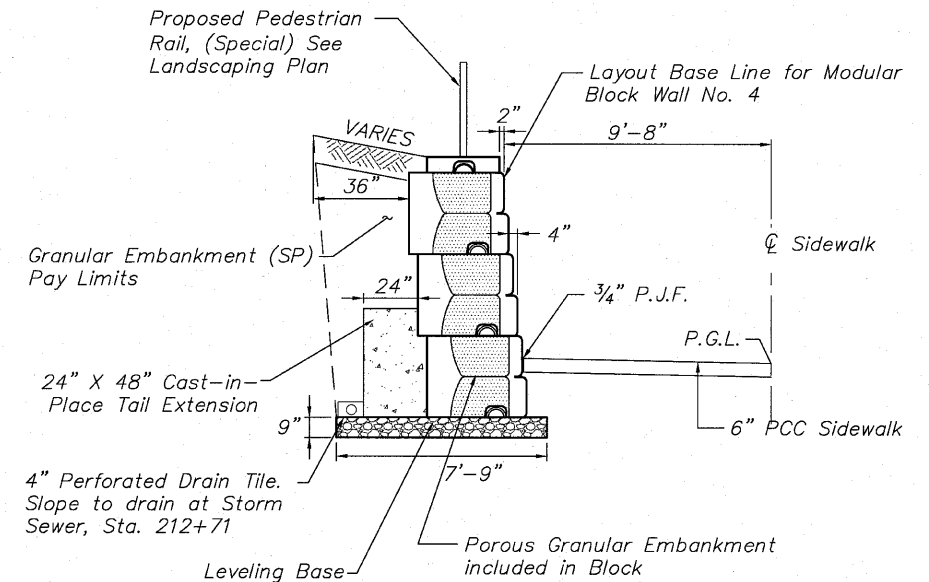
SCALES:
PLAN: 1" = 10'
PROFILE: 1" = 10' HORIZONTAL
1" = 10' VERTICAL



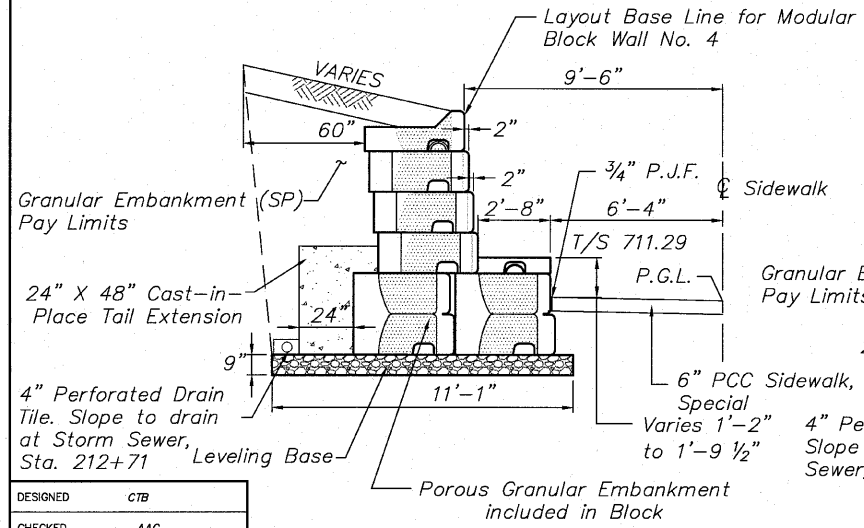
0 10 20
Scale in Feet



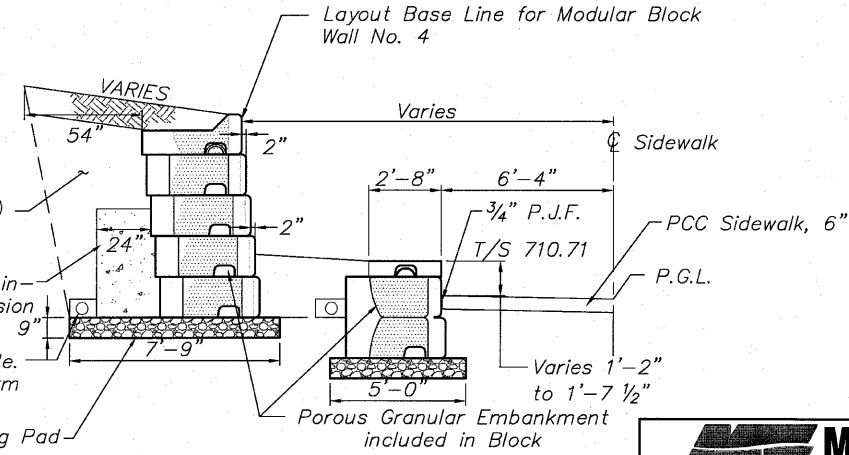
DETAIL 2
Sta. 212+49.78 to Sta. 212+65.78



DETAIL 1
Sta. 212+38.34 to Sta. 212+49.78



DETAIL 3
Sta. 212+65.78 to Sta. 212+89.78



DETAIL 4
Sta. 212+89.78 to 213+05.46

DESIGNED	CTB
CHECKED	AAG
DRAWN	JAW
CHECKED	JWH

McClure
Engineering Associates, Inc.
7282 Argus Drive
(615) 398-2332
Rockford, Illinois 61107-5837
Fax: (615) 398-2496
Design Firm License: Illinois #184-000816
Copyright 2010 By McClure Engineering Associates, Inc.

SHEET NO. 5
5 SHEETS

F.A. RTE.	SECTION	COUNTY	TOTAL SHEETS	SHEET NO.
	06-00543-00-BT	WINNEBAGO	148	79
FED. ROAD DIST. NO.	ILLINOIS	FED. AID PROJECT	CONTRACT NO. 85521	

H:\08-008 RIVERWALK MUSEUM\DESIGN\DRAWINGS\STRUCTURAL\GPBE\08-008 MODULAR R WALLS.DWG. MRWA. 9/22/2010 10:31:26 PM. I.I. JWH