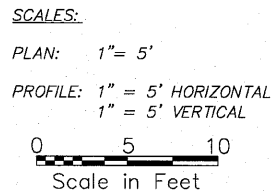
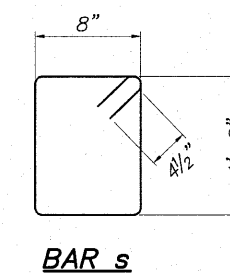
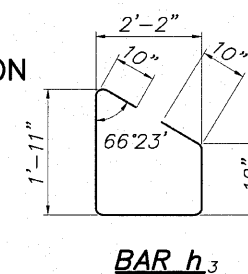


STATE OF ILLINOIS
DEPARTMENT OF TRANSPORTATION

BILL OF MATERIAL
Cast-in-Place Concrete

Bar	No.	Size	Length	Shape
h (E)	20	#5	10'-7"	—
h ₁ (E)	20	#5	7'-7"	—
h ₂ (E)	20	#5	8'-0"	—
h ₃ (E)	18	#5	6'-9"	□
s (E)	28	#4	4'-1"	⊗
v (E)	36	#5	16'-5"	—
Concrete Structures			Cu. Yd.	15.0
Reinforcement Bars (Epoxy Coated)			Pound	1,365
Form Liner Textured Surface			Sq. Ft.	410
Staining Concrete Structures			Sq. Yd.	46
Anti-Graffiti Coating			Sq. Ft.	410
Rubbed Finish			Sq. Ft.	60



PLAN: 1" = 5'
PROFILE: 1" = 5' HORIZONTAL
1" = 5' VERTICAL

Waterproofing Membrane (typical both sides), cost included with Concrete Structures. Refer to Overall Plan General Notes, Sheet 2

Lookout No. 2 Sta. 208+17.67

* Wall location A & C are given to front face of wall. No form liner required this area.

Termination Column See Partial Plan for Details

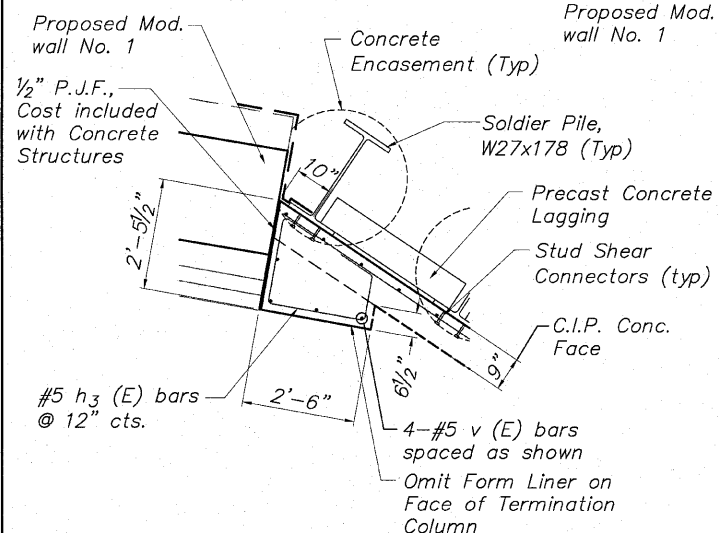
Proposed Mod. wall No. 1

Pedestrian Bridge No. 101-6350

Expansion Joint with Waterstop (Refer to Abutment Details)

ROCK RIVER

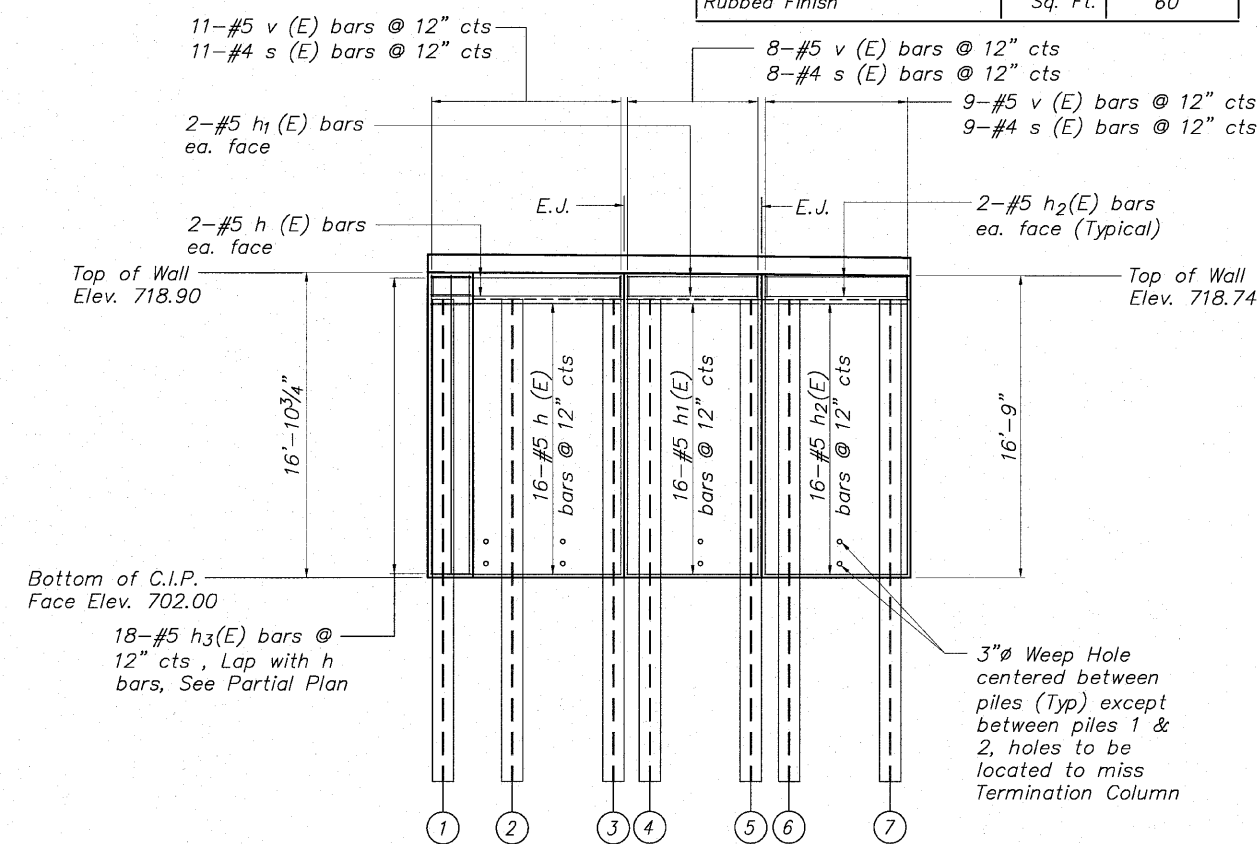
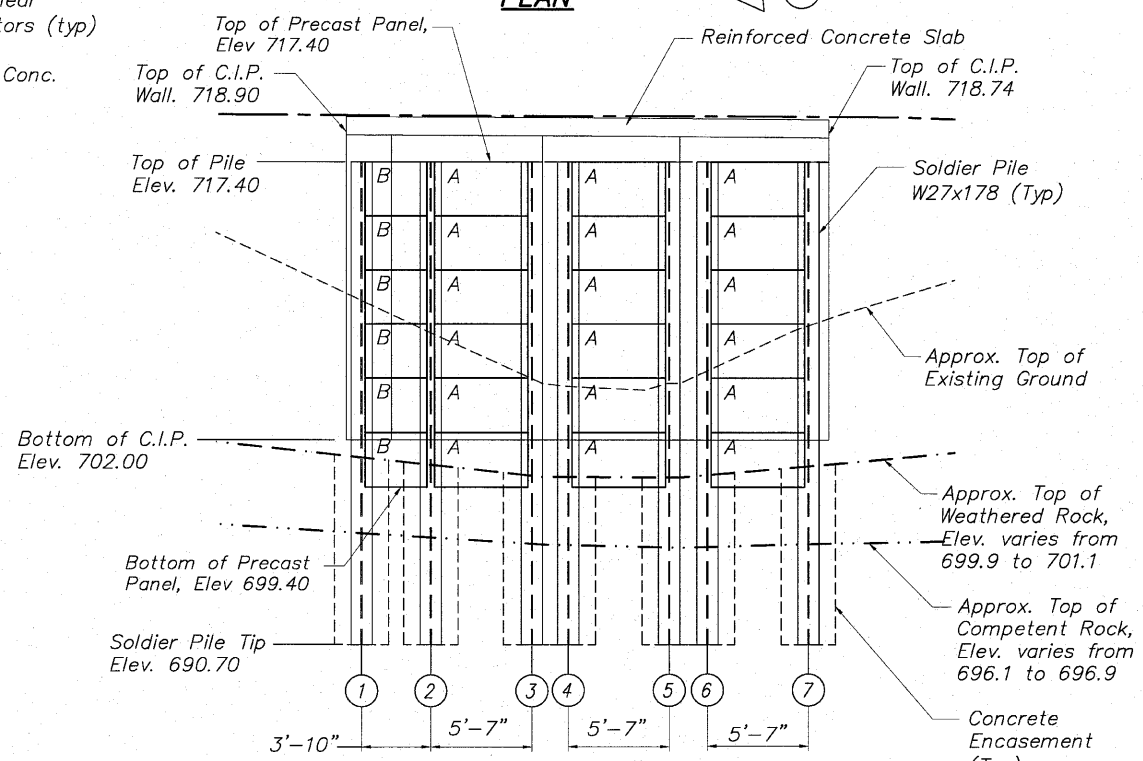
PLAN



* Wall location A & C are given to front face of wall. No form liner required this area.

WALL INFORMATION CHART

Reference Point	Station to Back Face of C.I.P. Wall	Offset to Back Face of C.I.P. Wall
A	*208+05.12	*8.56' Rt.
B	208+05.12	6.11' Rt.
C	*208+07.71	*8.54' Rt.
D	208+15.47	10.23' Rt.
E	208+21.27	9.62' Rt.
F	208+28.50	5.72' Rt.



SOLDIER PILE INFORMATION CHART

Reference Point	Station	Offset to ϕ of Hole	Offset to Center Front Flange of Pile	Pile Section	Top of Pile	Bottom of Pile	Finished Pile Length	Furnished Pile Length	No. Stud Shear Connectors
1	208+06.37	5.38' Rt.	6.44' Rt.	W27x178	717.40	690.70	26.70	27.70	30
2	208+09.99	6.86' Rt.	7.93' Rt.	W27x178	717.40	690.70	26.70	27.70	30
3	208+15.34	8.94' Rt.	10.02' Rt.	W27x178	717.40	690.70	26.70	27.70	30
4	208+16.70	8.83' Rt.	9.97' Rt.	W27x178	717.40	690.70	26.70	27.70	30
5	208+20.68	8.47' Rt.	9.62' Rt.	W27x178	717.40	690.70	26.70	27.70	30
6	208+22.06	7.88' Rt.	8.90' Rt.	W27x178	717.40	690.70	26.70	27.70	30
7	208+26.97	5.23' Rt.	6.25' Rt.	W27x178	717.40	690.70	26.70	27.70	30
Totals							187 Ft.	194 Ft.	210 Ea.

PRECAST PANEL SCHEDULE

PANEL	NOMINAL SIZE	No.	Sq. Ft. PANELS
A	3' x 5'-2"	18	277.4
B	3' x 3'-5"	6	61.1
Total			339

MINIMUM BAR LAP

No. 4 bars 1'-8"
No. 5 bars 2'-2"
No. 6 bars 2'-7"

SP WALL No. 20 DETAILS
PEDESTRIAN RIVERWALK
ALONG THE ROCK RIVER
WINNEBAGO COUNTY
SECTION NO. 06-00543-00-BT
STATION 208+05.12 TO
STATION 208+28.50

DESIGNED	CTB
CHECKED	AAG
DRAWN	JAW
CHECKED	JWH

McClure
Engineering Associates, Inc.
2382 Argus Drive
Rockford, Illinois 61107-5837
(815) 398-2332 Fax (815) 398-2466
Design Firm License: Illinois#194-000816

SHEET NO. 2	F.A. RTE.	SECTION	COUNTY	TOTAL SHEETS	SHEET NO.
5 SHEETS		06-00543-00-BT	WINNEBAGO	148	81
FED. ROAD DIST. NO.			ILLINOIS	FED. AID PROJECT	
			CONTRACT NO.	85521	