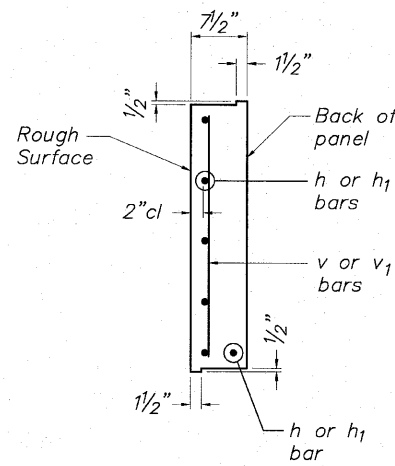


STATE OF ILLINOIS
DEPARTMENT OF TRANSPORTATION

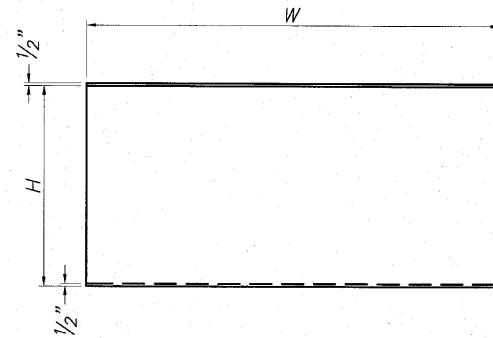
NOTES:

1. Precast Concrete Lagging shall be labeled "front" (river side) or "back" (embankment side) at the time of casting by the manufacturer.
2. Precast Panels shall meet the requirements of Section 1042 of the Standard Specifications and shall be paid for at the contract unit price per square foot for Precast Concrete Lagging.
3. Contractor to backfill wall as precast panels are installed or provide blocking detail to Engineer for approval at no additional cost to the contract.
4. Contractor is advised that the portion of Modular Retaining Wall No. 1 directly adjacent to SP Wall No. 20 shall be constructed and backfilled as SP Wall No. 20 is backfilled. No additional compensation will be allowed for temporary shoring or additional excavation and backfilling due to staged work.

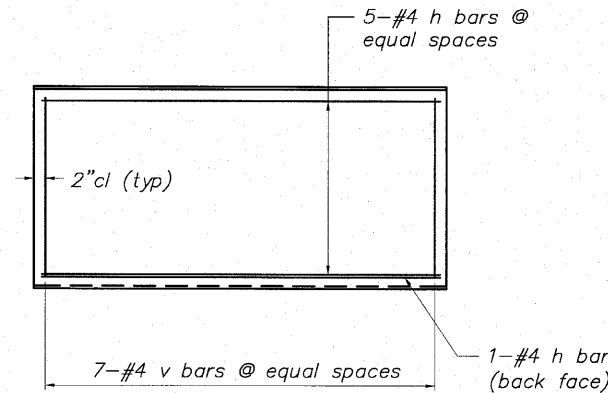
BORING NUMBER	STATION	OFFSET	GROUND ELEV.	EST. COMP. ROCK ELEV.
B-1	205+62	20.1' LT	728	N/A
B-2	206+69	44.3' LT	728	N/A
B-3	207+60	36.1' LT	728	701.5
B-4	208+20	43.1' RT	695	693.5
B-5	209+64	59.9' RT	693	691.0
B-6	210+83	40.15' RT	696	693.0
B-7	212+10	37.74' RT	696	694.5
B-8	213+71	34.17' RT	698	691.5
B-9	211+98	31.8' LT	716	706.0
B-10	211+67	77.9' LT	720	710.0
B-11	212+57	61.6' LT	721	705.0
B-12	211+12	200.5' LT	736	714.0
B-13	212+13	155.2' LT	730	709.0
B-14	209+57	39.5' LT	730	705.0
B-15	208+63	54.3' LT	730	700.0



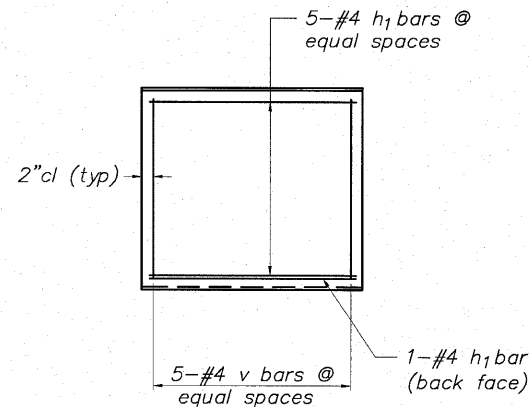
**TYPICAL PANEL
END VIEW**



TYPICAL PANEL ELEVATION



PANEL A REINFORCEMENT



PANEL B REINFORCEMENT

**PRECAST CONCRETE LAGGING
PANEL DETAILS**

***BILL OF MATERIAL**

ONE PANEL A

Bar	No.	Size	Length	Shape
h	6	#4	4'-10"	—
v	7	#4	2'-8"	—
Concrete Structures			Cu. Yd.	0.35
Reinforcement Bars			Pound	31.8
Panel Area			Sq. Ft.	15.41

***BILL OF MATERIAL**

ONE PANEL B

Bar	No.	Size	Length	Shape
h ₁	6	#4	3'-1"	—
v	5	#4	2'-8"	—
Concrete Structures			Cu. Yd.	0.23
Reinforcement Bars			Pound	21.3
Panel Area			Sq. Ft.	10.19

* Concrete and reinforcement quantities are given for information only. Concrete and reinforcement for panels are included in the pay item "Precast Concrete Lagging".

PANEL SCHEDULE

PANEL	H	W
A	2'-11 3/4"	5'-2"
B	2'-11 3/4"	3'-5"

**SP WALL No. 20 DETAILS
PRECAST PANEL DETAILS
PEDESTRIAN RIVERWALK
ALONG THE ROCK RIVER
WINNEBAGO COUNTY
SECTION NO. 06-00543-00-BT
STATION 208+05.12 TO
STATION 208+28.50**

DESIGNED	CTB
CHECKED	AAG
DRAWN	JAW
CHECKED	JWH

McClure
Engineering Associates, Inc.
7282 Argus Drive
(815) 398-2332
Rockford, Illinois 61107-5837
Fax (815) 398-2496
Design Firm License: Illinois#184-000816

SHEET NO. 3
5 SHEETS

F.A. RTE.	SECTION	COUNTY	TOTAL SHEETS	SHEET NO.
	06-00543-00-BT	WINNEBAGO	148	82
CONTRACT NO.			85521	
FED. ROAD DIST. NO.	ILLINOIS	FED. AID PROJECT		

08 RIVERWALK MUSEUM/DESIGN/DRAWINGS/STRUCTURAL (GRAVE) 08-008 SP-WALL 20.DWG, DET-20 (2), 8/30/2010 3:06:50 PM.