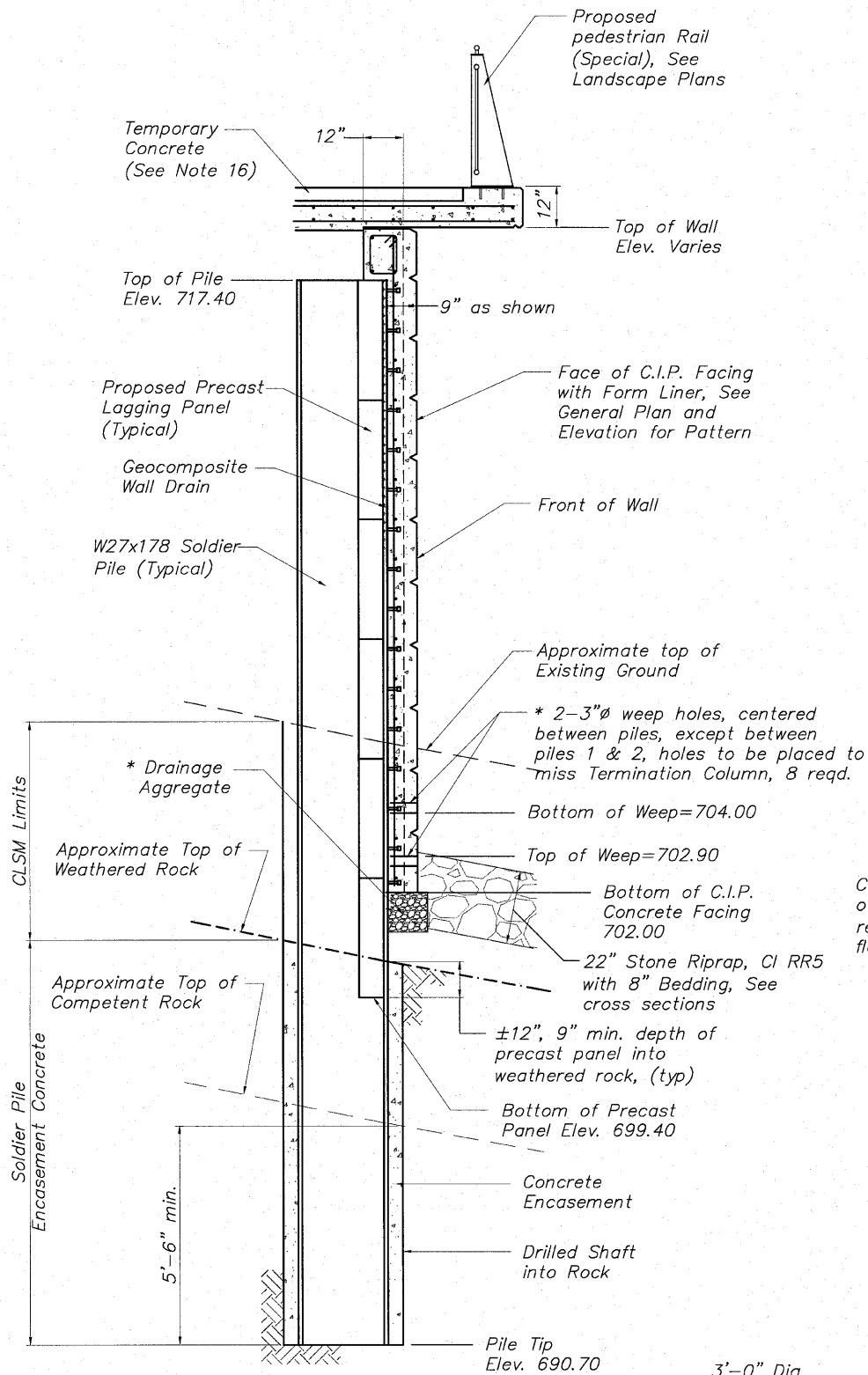
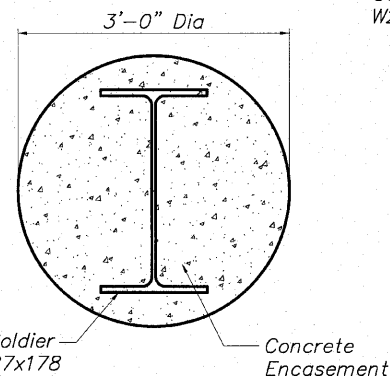


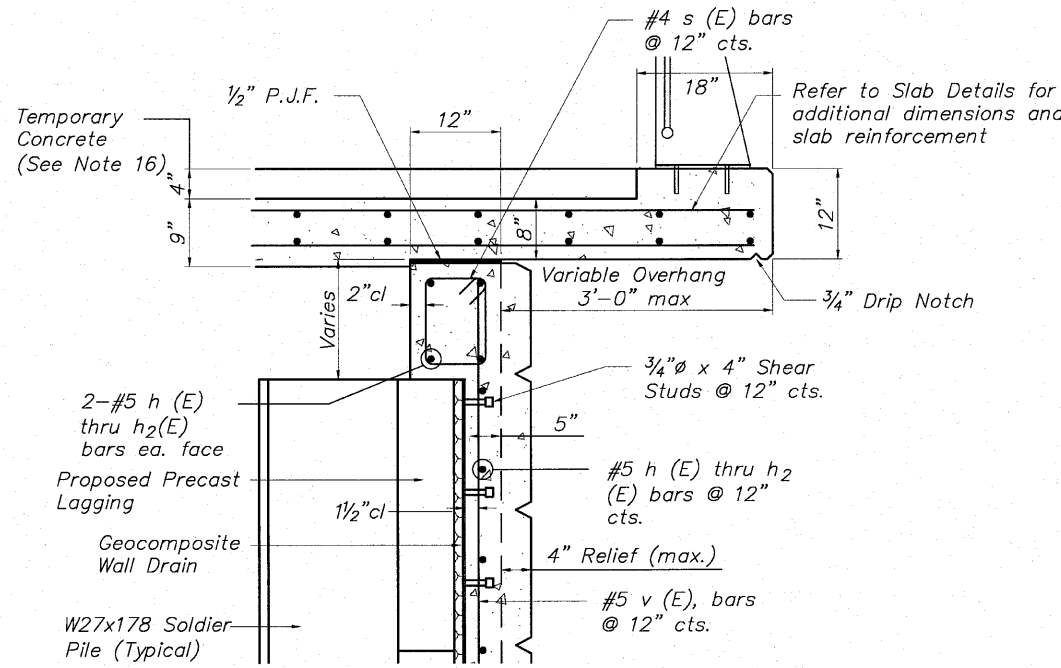
STATE OF ILLINOIS
DEPARTMENT OF TRANSPORTATION



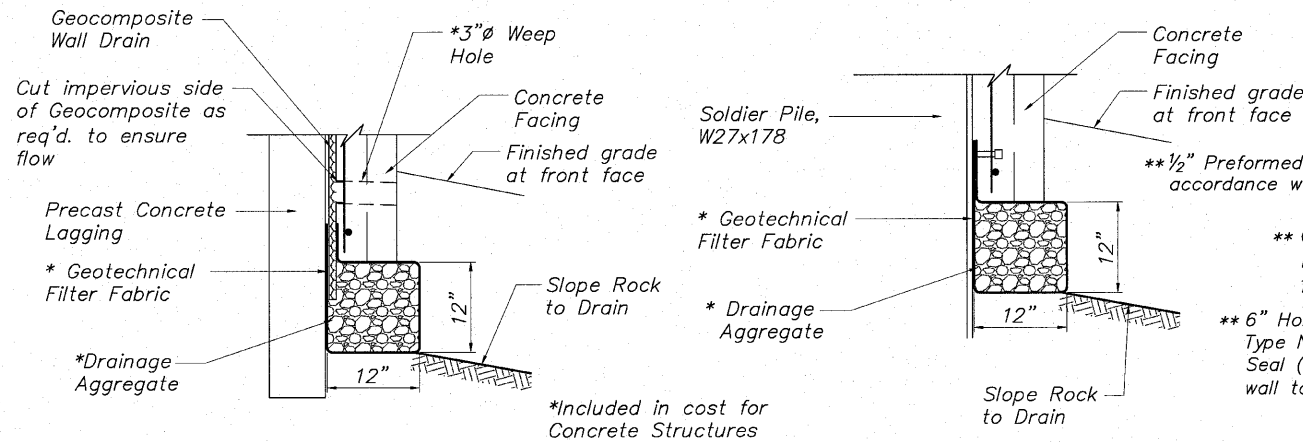
TYPICAL WALL SECTION



TYPICAL PILE ENCASEMENT SECTION
No Scale



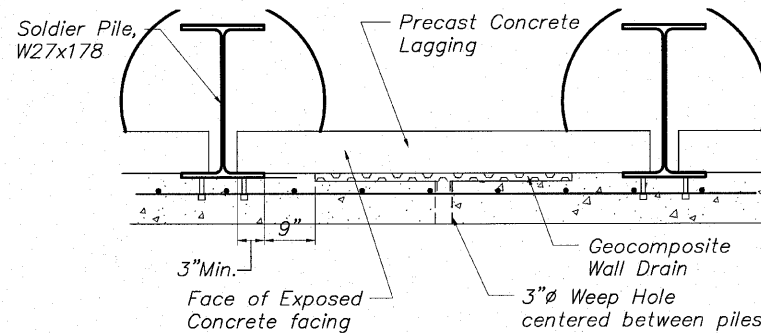
TYPICAL WALL SECTION
Showing Reinforcement



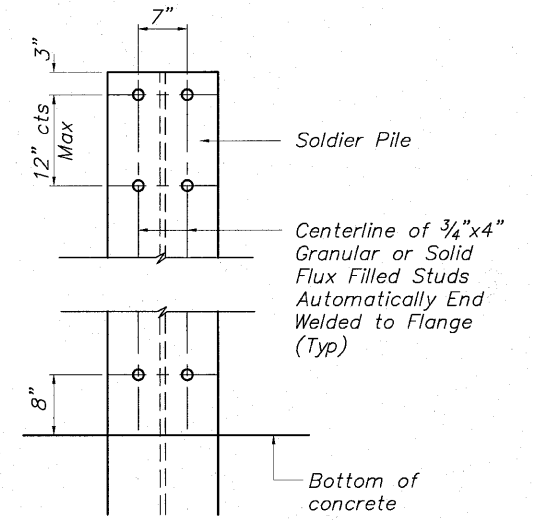
BETWEEN SOLDIER PILES

AT SOLDIER PILES

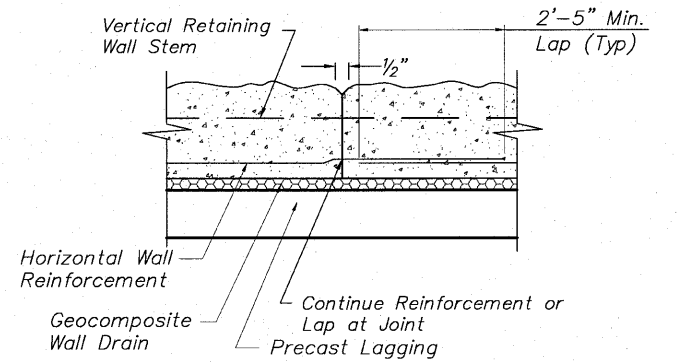
DRAINAGE AGGREGATE DETAIL



GEOCOMPOSITE WALL DRAIN DETAIL

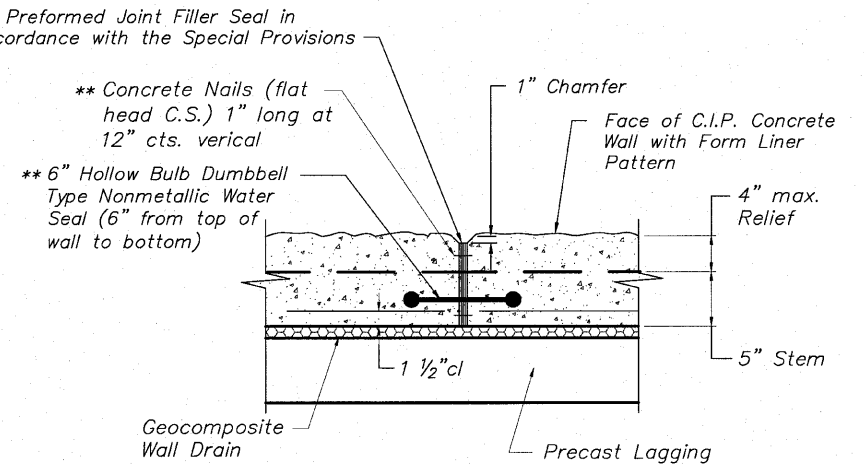


STUD SHEAR CONNECTOR LAYOUT



PLAN VIEW

TYPICAL CONSTRUCTION JOINT DETAIL
No Scale



PLAN VIEW

Space Expansion Joints as Shown on Elevation
** Cost included with Concrete Structures

TYPICAL EXPANSION JOINT DETAIL
NO SCALE

MINIMUM BAR LAP

No. 4 bars	1'-8"
No. 5 bars	2'-2"
No. 6 bars	2'-7"

SP WALL No. 20 DETAILS
PEDESTRIAN RIVERWALK
ALONG THE ROCK RIVER
WINNEBAGO COUNTY
SECTION NO. 06-00543-00-BT
STATION 208+05.12 TO
STATION 208+28.50

DESIGNED	CTB
CHECKED	AAG
DRAWN	JAW
CHECKED	JWH

McClure
Engineering Associates, Inc.
7282 Argus Drive
Rockford, Illinois 61107-5837
(815) 398-2332 Fax (815) 398-2495
Design Firm License: Illinois #184-000816
Professional Engineer License: Illinois #00000000

SHEET NO. 4
5 SHEETS

F.A. RTE.	SECTION	COUNTY	TOTAL SHEETS	SHEET NO.
	06-00543-00-BT	WINNEBAGO	148	83
CONTRACT NO.			85521	
FED. ROAD DIST. NO.	ILLINOIS	FED. AID PROJECT		