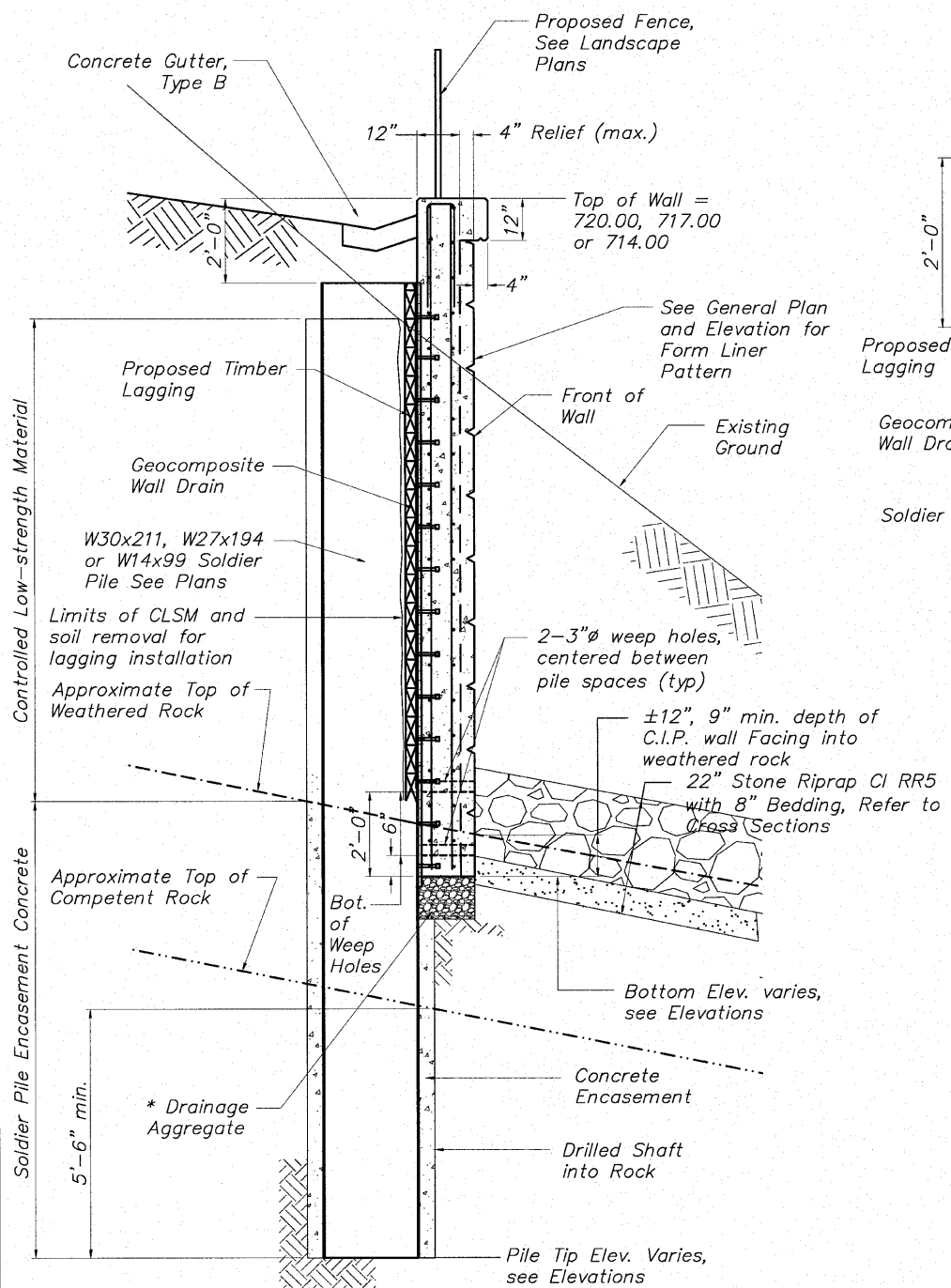
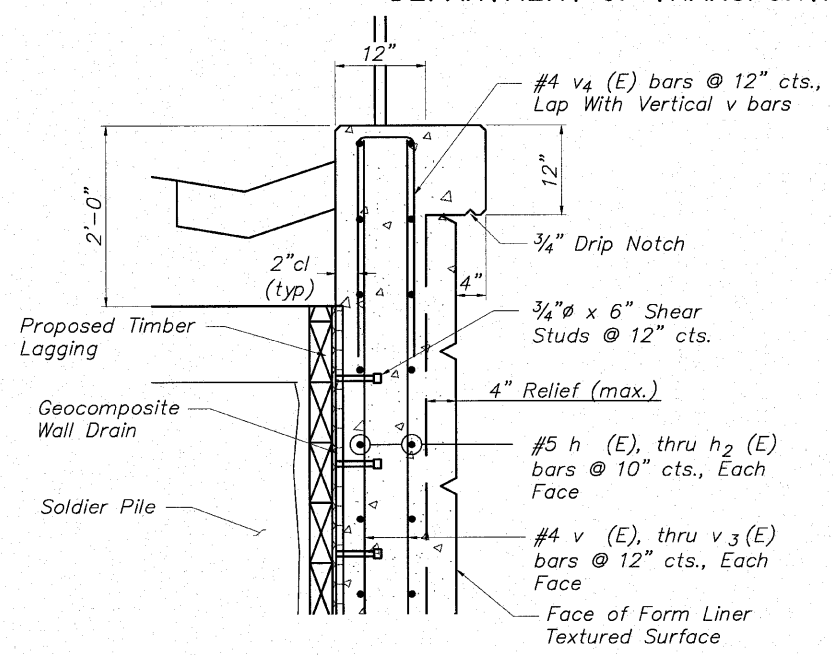


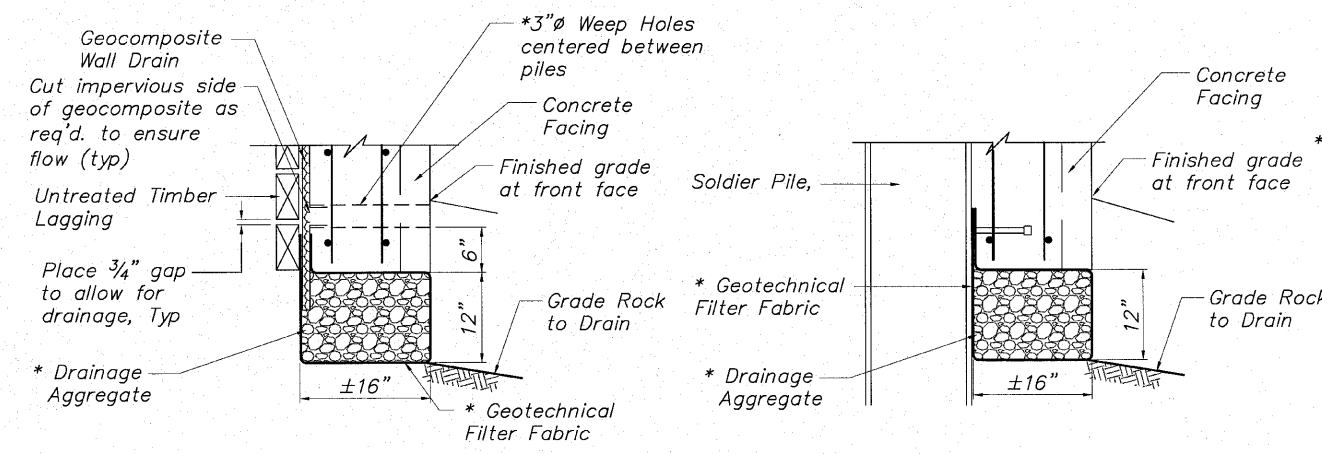
STATE OF ILLINOIS
DEPARTMENT OF TRANSPORTATION



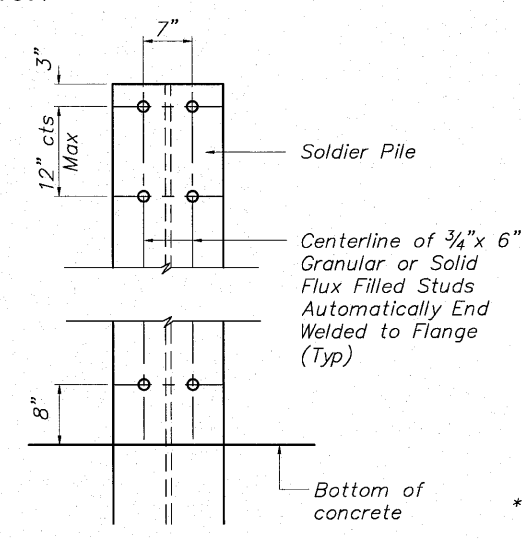
TYPICAL WALL SECTION



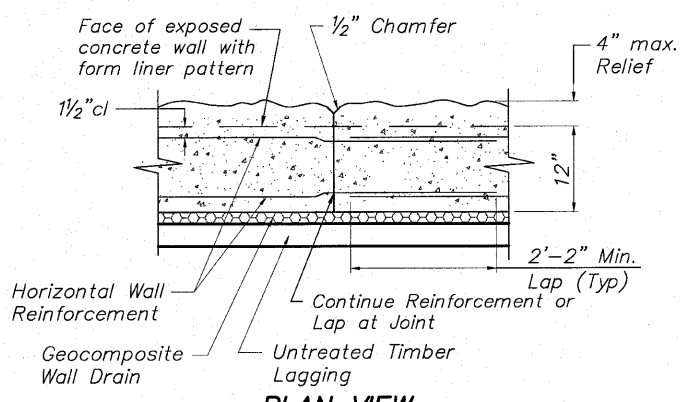
TYPICAL WALL SECTION
Showing Reinforcement



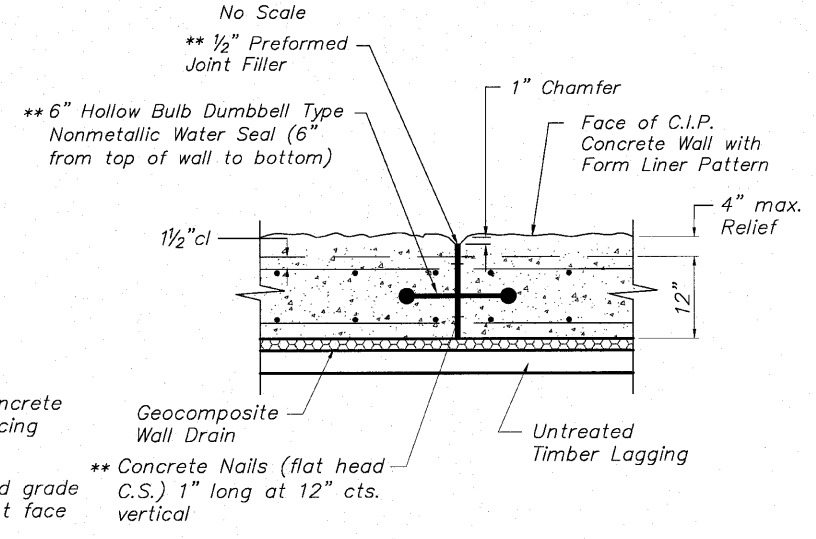
DRAINAGE AGGREGATE DETAIL



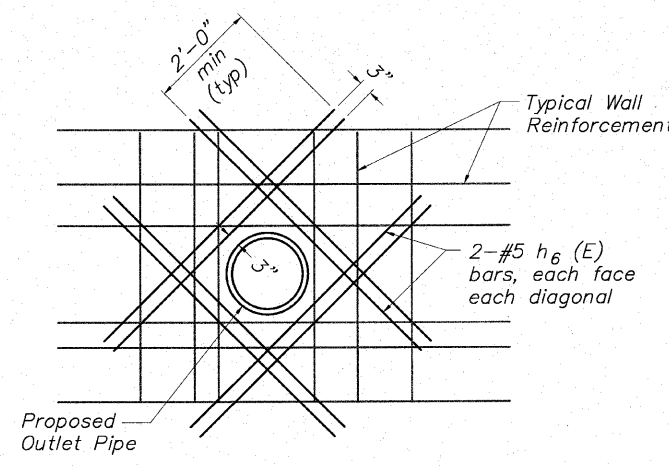
STUD SHEAR CONNECTOR LAYOUT



TYPICAL CONSTRUCTION JOINT DETAIL

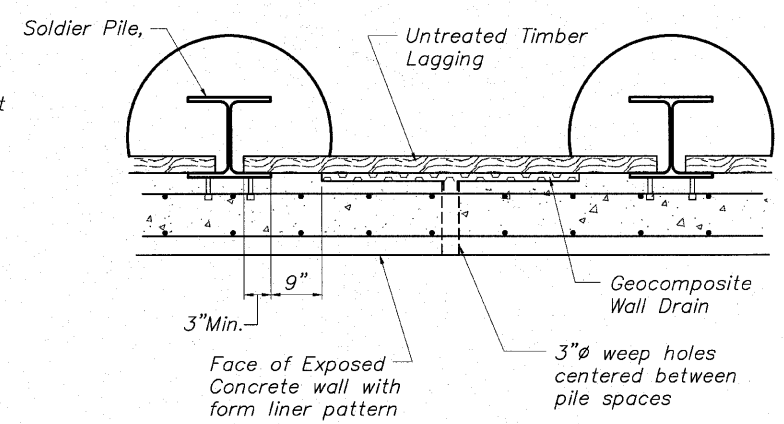


TYPICAL EXPANSION JOINT DETAIL

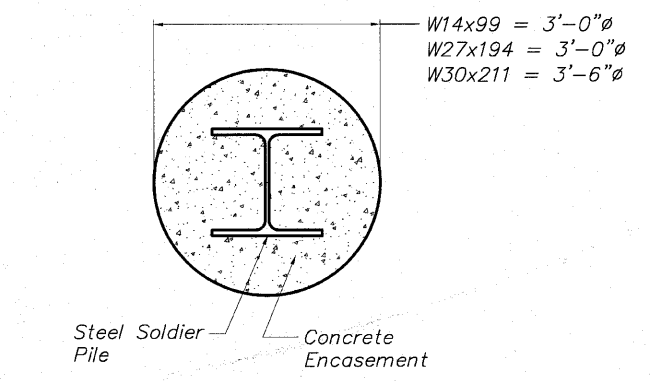


Move horizontal and vertical wall reinforcement up to one half their bar spacing to miss wall opening

WALL PENETRATION DETAIL



GEOCOMPOSITE WALL DRAIN DETAIL



TYPICAL PILE ENCASEMENT SECTION

SP WALL No. 21 DETAILS
PEDESTRIAN RIVERWALK
ALONG THE ROCK RIVER
WINNEBAGO COUNTY
SECTION NO. 06-00543-00-BT
STATION 208+13.27 TO
STATION 210+79.46

DESIGNED	CTB
CHECKED	AAG
DRAWN	JAW
CHECKED	JMH

McClure
Engineering Associates, Inc.
7282 Argus Drive
(815) 398-2332
Rockford, Illinois 61107-5837
Fax (815) 398-2496
Design Firm License: Illinois#104-000816
Copyright 2009 By McClure Engineering Associates, Inc.

SHEET NO. 4
5 SHEETS

F.A. RTE.	SECTION	COUNTY	TOTAL SHEETS	SHEET NO.
	06-00543-00-BT	WINNEBAGO	148	88
FED. ROAD DIST. NO.	ILLINOIS	FED. AID PROJECT	CONTRACT NO. 85521	

H:\08-008 RIVERWALK MUSEUM\DESIGN\DRAWINGS\STRUCTURAL\OPRE\08-008 SP-WALL 21.DWG, DET-21 (3), 8/30/2010 3:25:18 PM, JH, JMH