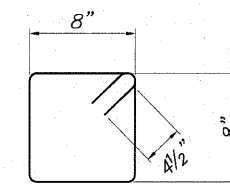


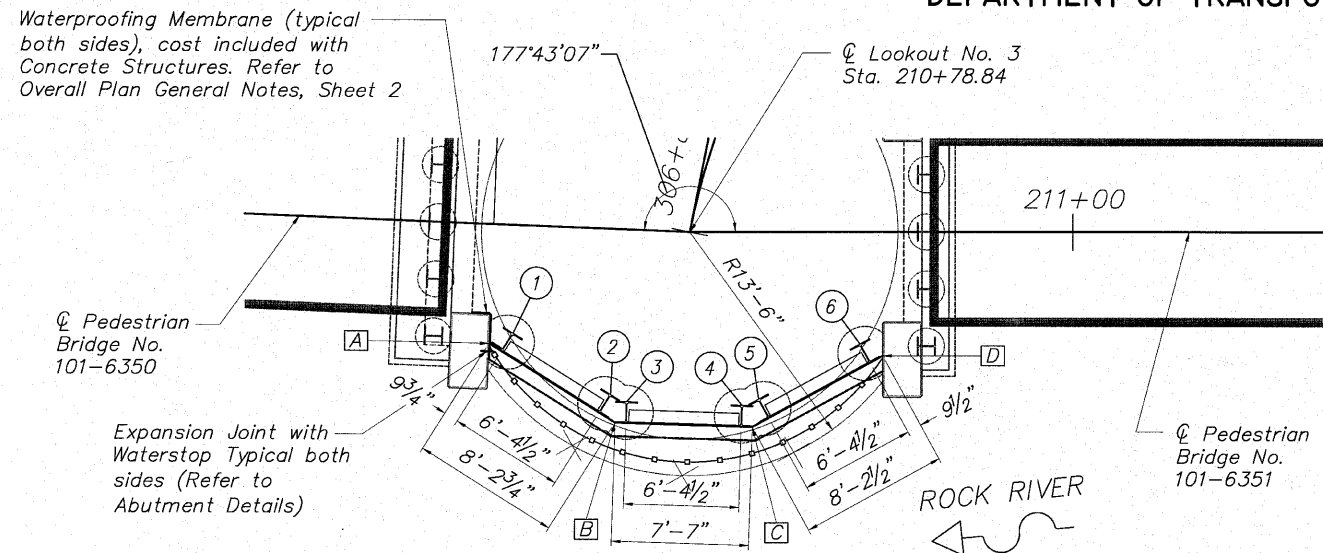
STATE OF ILLINOIS  
DEPARTMENT OF TRANSPORTATION

**BILL OF MATERIAL**  
**Cast-in-Place Concrete**



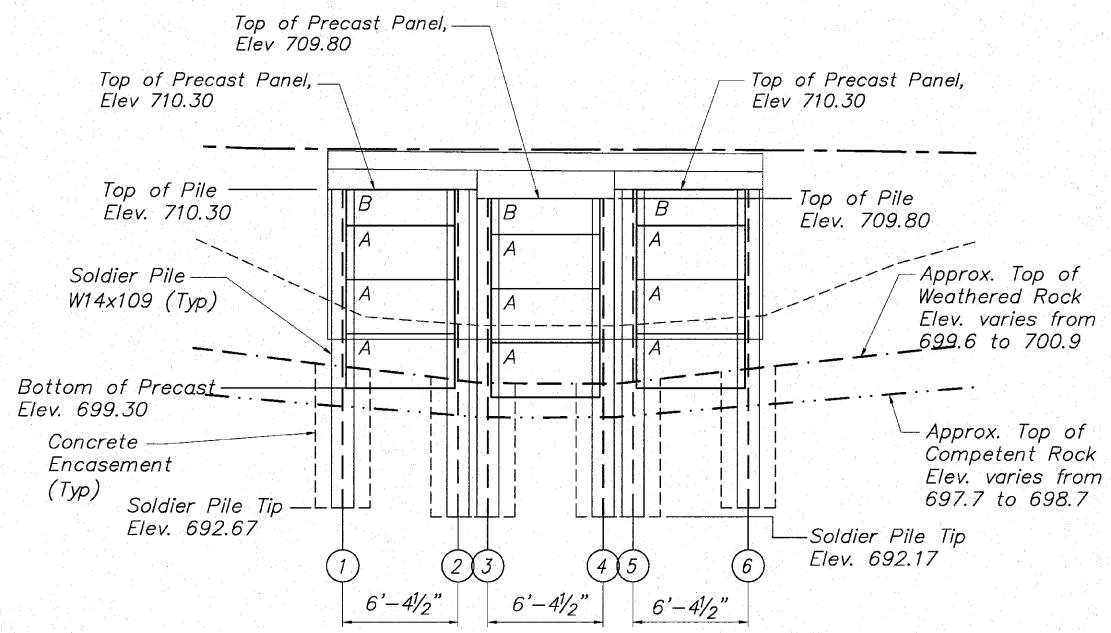
**BAR s**

Bar	No.	Size	Length	Shape
h (E)	26	#5	8'-0"	—
h <sub>1</sub> (E)	13	#5	7'-7"	—
s (E)	26	#4	3'-5"	⊞
v (E)	26	#5	8'-11"	—
Concrete Structures		Cu. Yd.	6.8	
Reinforcement Bars (Epoxy Coated)		Pound	535	
Form Liner Textured Surface		Sq. Ft.	225	
Staining Concrete Structures		Sq. Yd.	25	
Anti-Graffiti Coating		Sq. Ft.	225	
Rubbed Finish		Sq. Ft.	28	

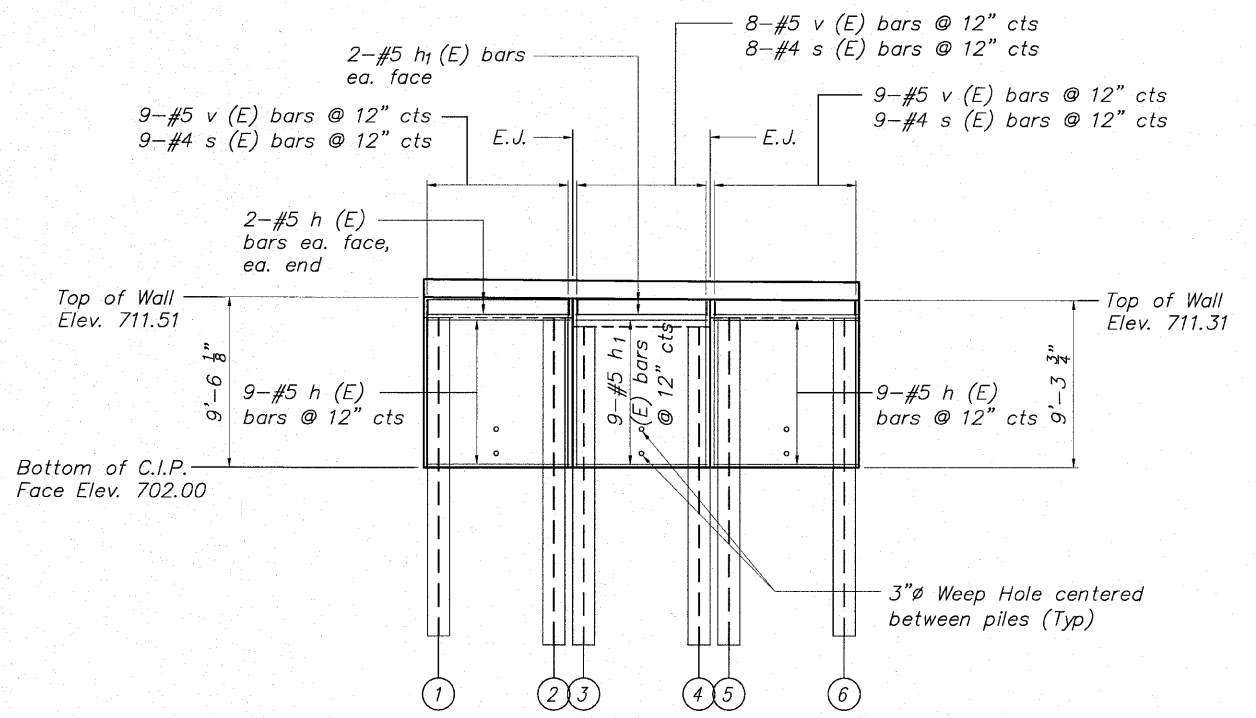


**PLAN**

**SCALES:**  
PLAN: 1" = 5'  
PROFILE: 1" = 5' HORIZONTAL  
1" = 5' VERTICAL



**ELEVATION (Showing Precast Lagging)**  
(Looking @ Front Face of Wall)



**ELEVATION (Showing C.I.P. Facing Reinforcement)**  
(Looking @ Front Face of Wall)

**WALL INFORMATION CHART**

Reference Point	Station to Back Face of Wall	Offset to Back Face of Wall
A	210+68.02	6.62' Rt.
B	210+75.14	10.73' Rt.
C	210+82.30	10.81' Rt.
D	210+89.50	6.87' Rt.

**SOLDIER PILE INFORMATION CHART**

Reference Point	Station	Offset to $\phi$ of Hole	Offset to Center Front Flange of Pile	Pile Section	Top of Pile	Bottom of Pile	Finished Pile Length	Furnished Pile Length	No. Stud Shear Connectors
1	210+69.01	6.51' Rt.	7.03' Rt.	W14x109	710.30	692.67	17.63	19	16
2	210+74.53	9.70' Rt.	10.21' Rt.	W14x109	710.30	692.17	18.13	19	16
3	210+75.74	10.13' Rt.	10.72' Rt.	W14x109	709.80	692.17	17.63	19	16
4	210+81.71	10.20' Rt.	10.79' Rt.	W14x109	709.80	692.17	17.63	19	16
5	210+82.93	9.79' Rt.	10.31' Rt.	W14x109	710.30	692.17	18.13	19	16
6	210+88.52	6.73' Rt.	7.25' Rt.	W14x109	710.30	692.67	17.63	19	16
<b>Totals</b>							107 Ft.	114 Ft.	96 Ea.

**PRECAST PANEL SCHEDULE**

PANEL	NOMINAL SIZE	No.	Sq. Ft. PANELS
A	3' x 6'	9	160.8
B	2' x 6'	3	35.6
<b>Total</b>			196.4

**MINIMUM BAR LAP**

- No. 4 bars 1'-8"
- No. 5 bars 2'-2"
- No. 6 bars 2'-7"

**SP WALL No. 22 DETAILS**  
**PEDESTRIAN RIVERWALK**  
**ALONG THE ROCK RIVER**  
**WINNEBAGO COUNTY**  
**SECTION NO. 06-00543-00-BT**  
**STATION 210+67.98 TO**  
**STATION 210+89.50**

DESIGNED	CTB
CHECKED	AAG
DRAWN	JAW
CHECKED	JWH

**McClure**  
Engineering Associates, Inc.  
7282 Argus Drive  
(815) 398-2332  
Rockford, Illinois 61107-5837  
Fax (815) 398-2496  
Design Firm License: Illinois#184-000816  
Copyright 2010 By McClure Engineering Associates, Inc.

SHEET NO. 2  
5 SHEETS

F.A. RTE.	SECTION	COUNTY	TOTAL SHEETS	SHEET NO.
	06-00543-00-BT	WINNEBAGO	148	91
FED. ROAD DIST. NO.		ILLINOIS	FED. AID PROJECT	
			CONTRACT NO. 85521	

H:\06-008 RIVERWALK\DESIGN\DRAWINGS\STRUCTURAL\GPBE\06-008 SP-WALL 22.DWG, DET-22 (I), 8/30/2010 3:27:25 PM, 1/1, JWH