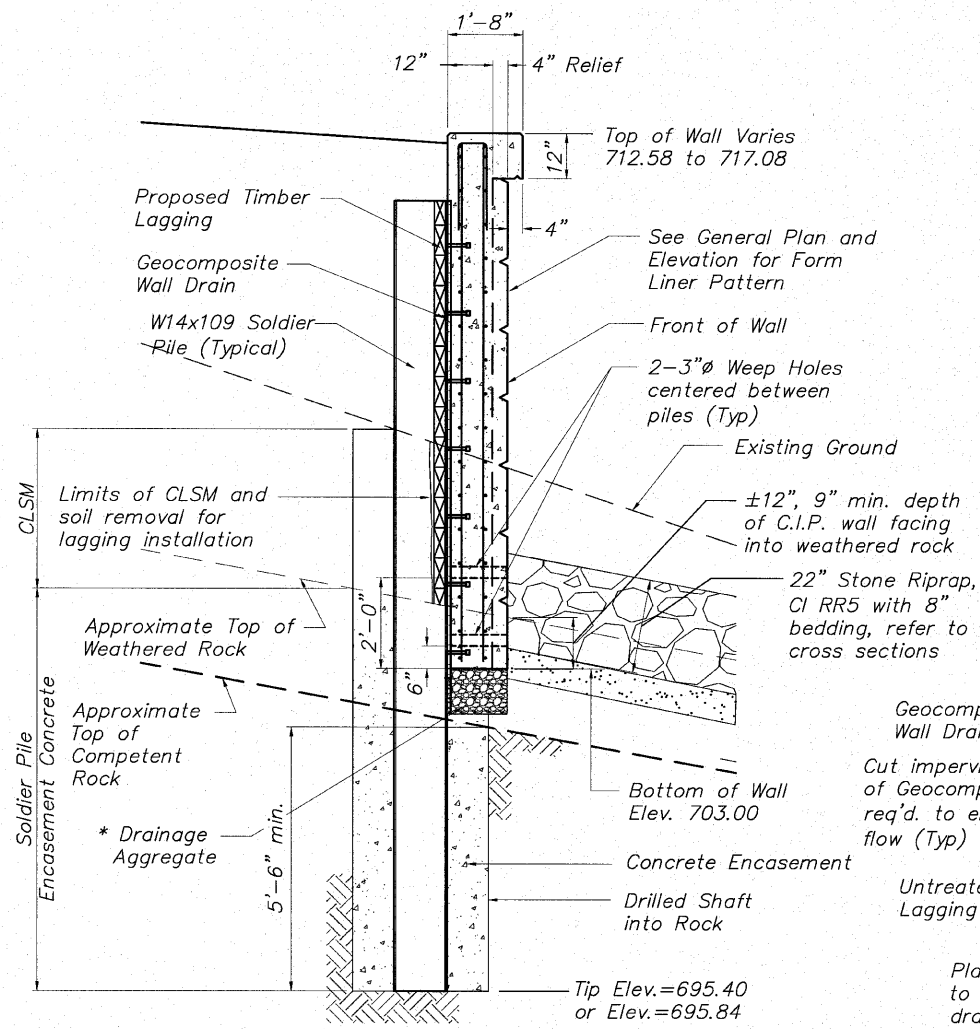
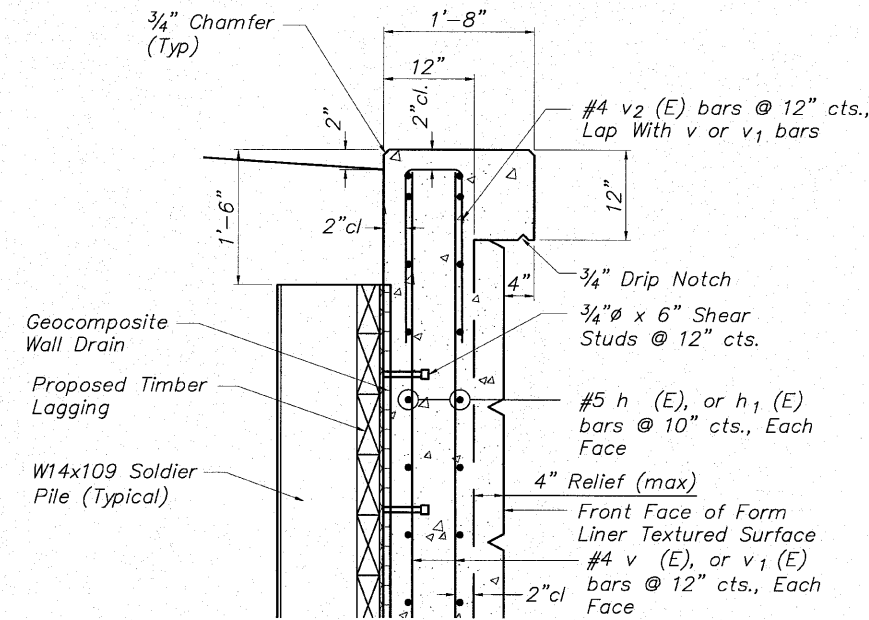


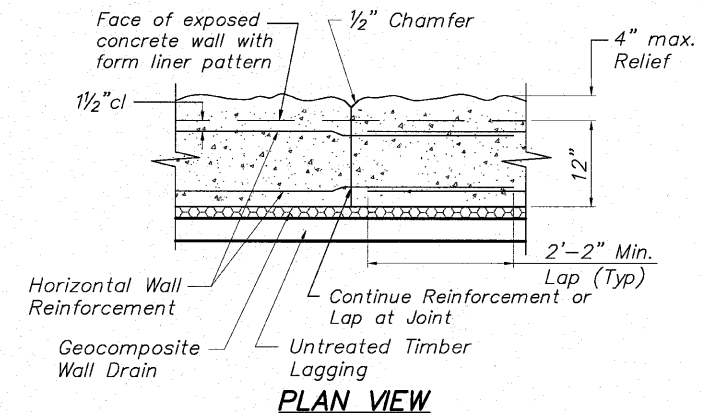
STATE OF ILLINOIS
DEPARTMENT OF TRANSPORTATION



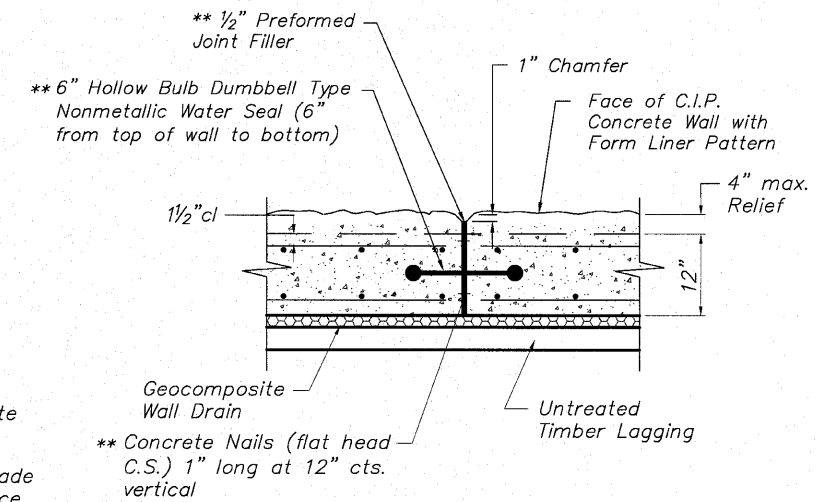
TYPICAL WALL SECTION
Showing Reinforcement



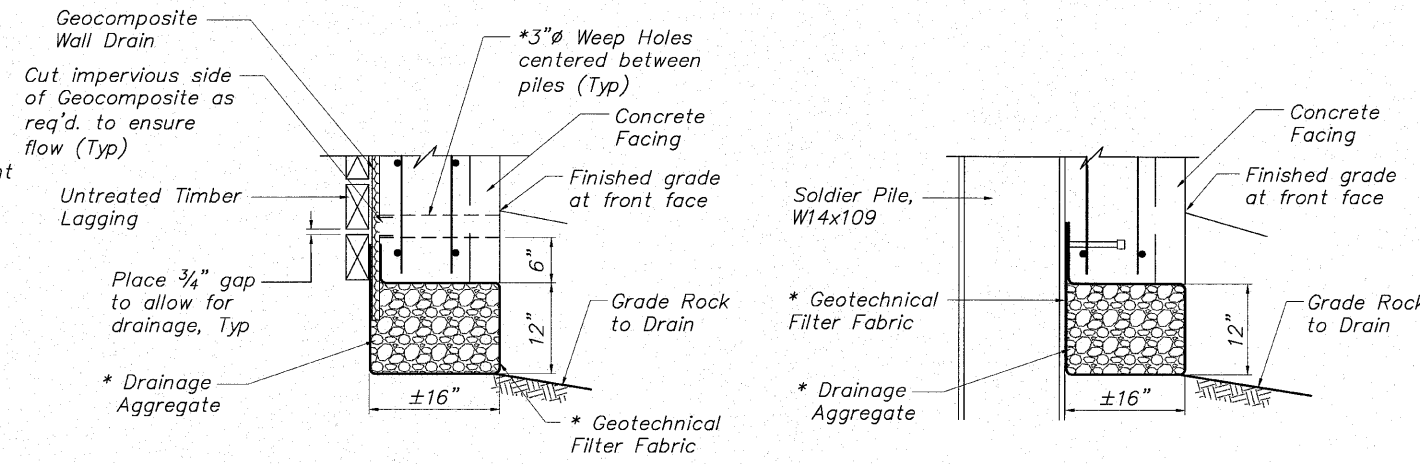
TYPICAL WALL SECTION
Showing Reinforcement



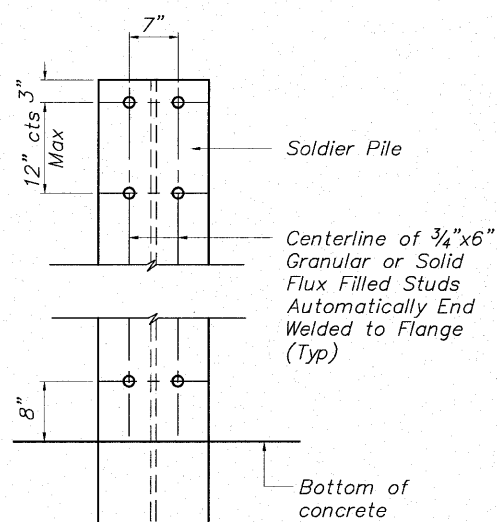
TYPICAL CONSTRUCTION JOINT DETAIL
No Scale



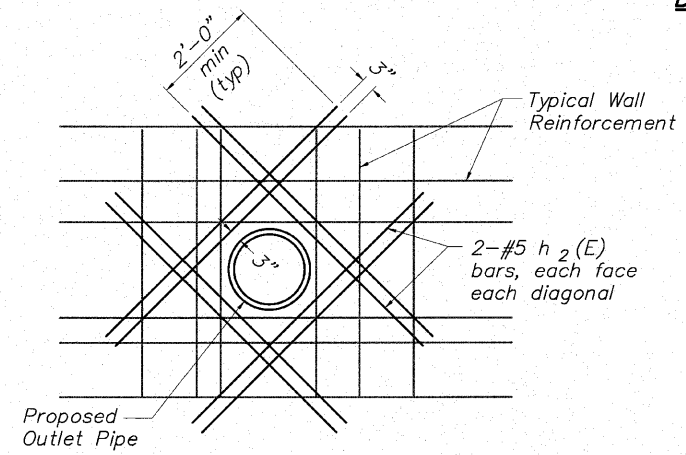
TYPICAL EXPANSION JOINT DETAIL
No Scale



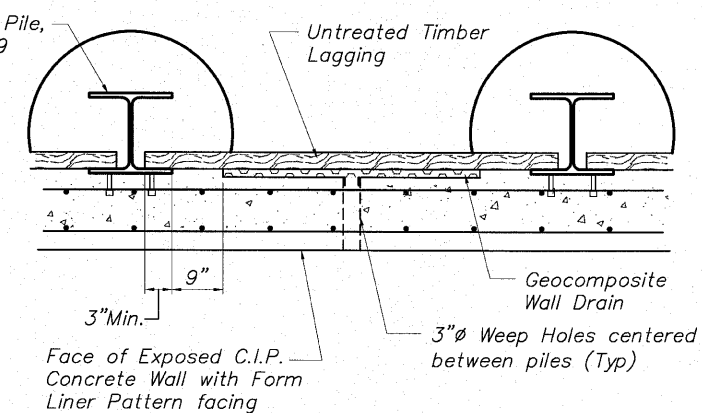
DRAINAGE AGGREGATE DETAIL



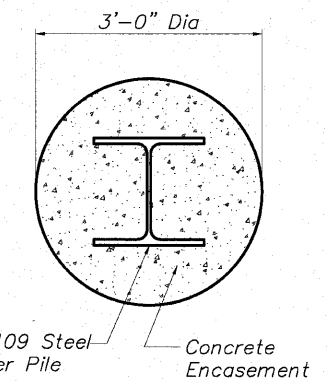
STUD SHEAR CONNECTOR LAYOUT



WALL PENETRATION DETAIL



GEOCOMPOSITE WALL DRAIN DETAIL



TYPICAL PILE ENCASEMENT SECTION
No Scale

**SP WALL No. 23 DETAILS
PEDESTRIAN RIVERWALK
ALONG THE ROCK RIVER
WINNEBAGO COUNTY
SECTION NO. 06-00543-00-BT
STATION 210+86.59 TO
STATION 211+92.60**

DESIGNED	CTB
CHECKED	AAG
DRAWN	JAW
CHECKED	JWH

McClure
Engineering Associates, Inc.
7282 Arqua Drive
Rockford, Illinois 61107-5037
(815) 398-2332 Fax (815) 398-2496
Design Firm License: Illinois#184-000816
Copyright 2009 By McClure Engineering Associates, Inc.

SHEET NO. 3
4 SHEETS

F.A. RTE.	SECTION	COUNTY	TOTAL SHEETS	SHEET NO.
	06-00543-00-BT	WINNEBAGO	148	97
FED. ROAD DIST. NO.	ILLINOIS	FED. AID PROJECT	CONTRACT NO. 85521	

H:\08-008 RIVERWALK MUSEUM\DESIGN\DRAWINGS\STRUCTURAL\GPBE\08-008 SP-WALL 23.DWG. DET-23 (2). 8/30/2010 3:55:10 PM. E1. JWH