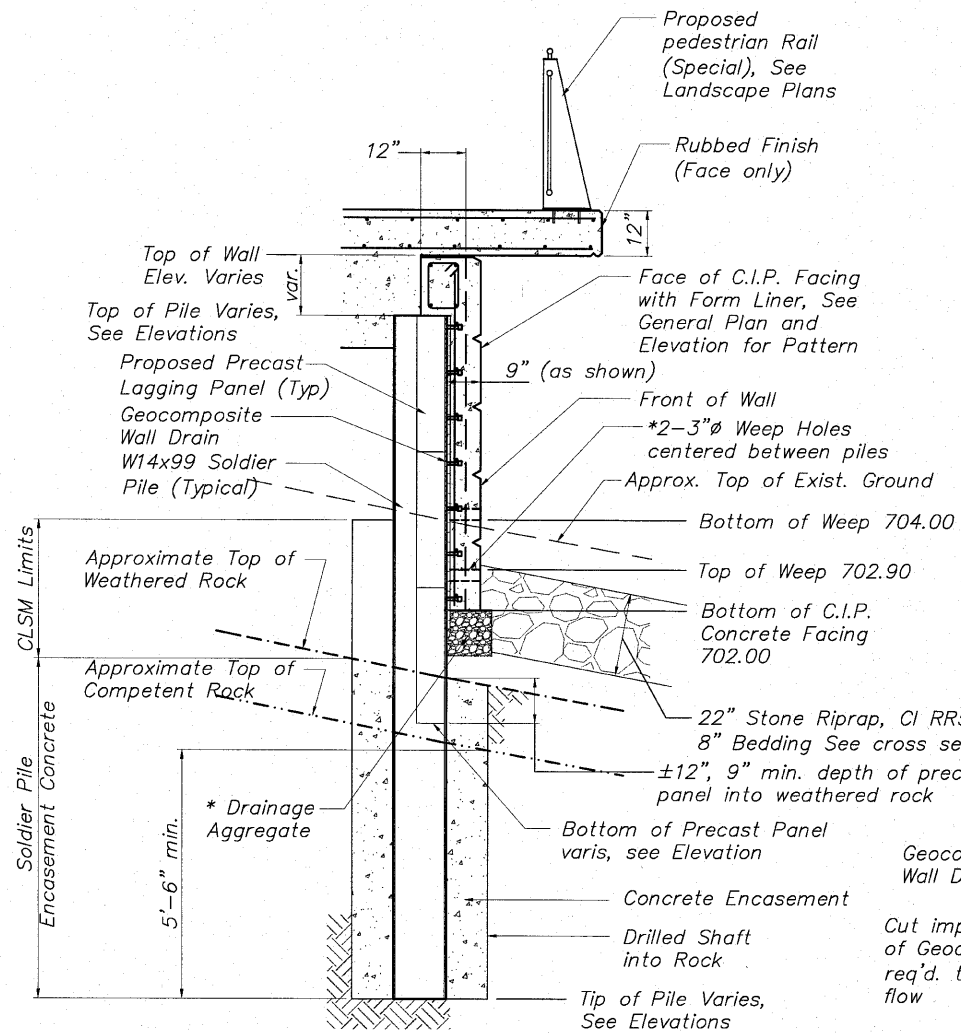
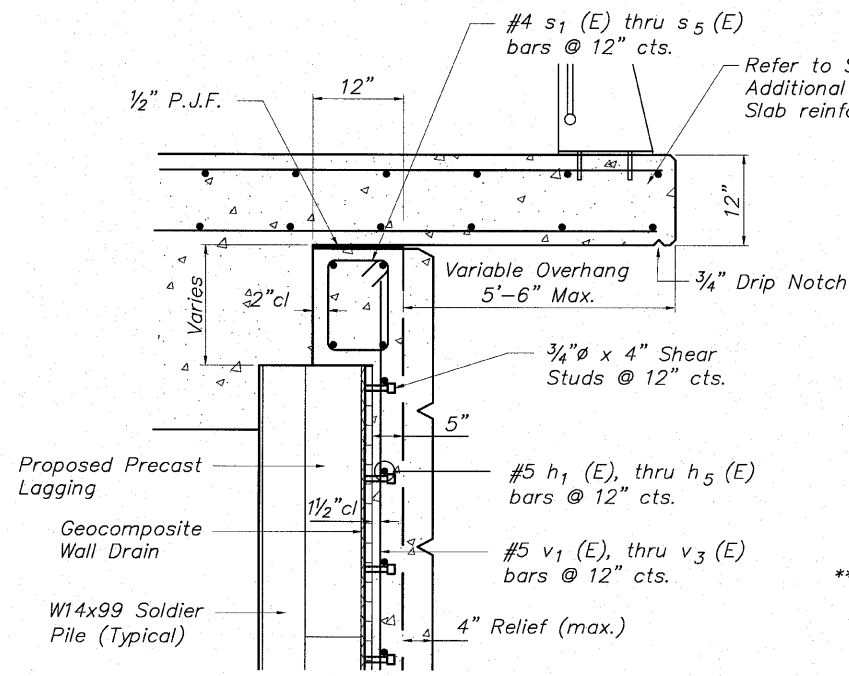


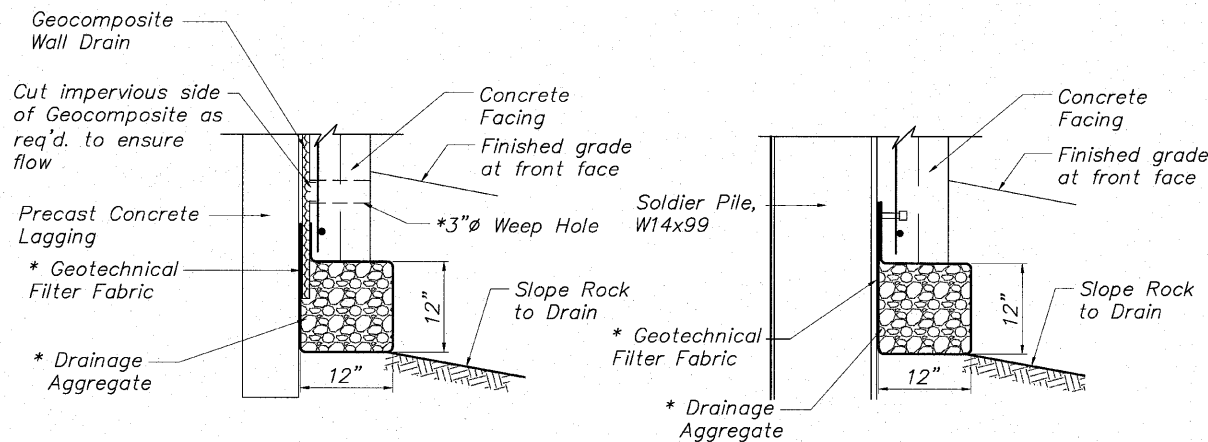
STATE OF ILLINOIS
DEPARTMENT OF TRANSPORTATION



TYPICAL WALL SECTION
Showing Reinforcement



TYPICAL WALL SECTION
Showing Reinforcement

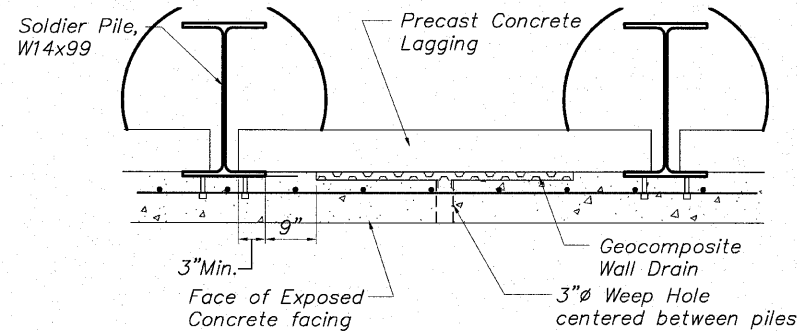


BETWEEN SOLDIER PILES

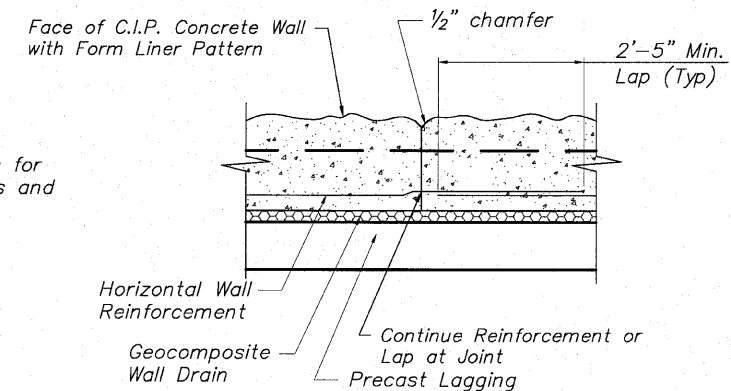
* Included in the cost for Concrete Structures

AT SOLDIER PILES

DRAINAGE AGGREGATE DETAIL

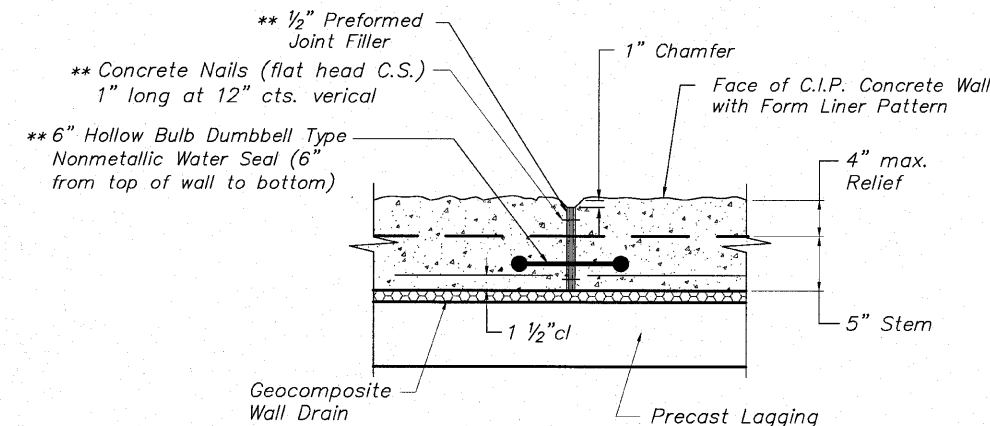


GEOCOMPOSITE WALL DRAIN DETAIL



PLAN VIEW

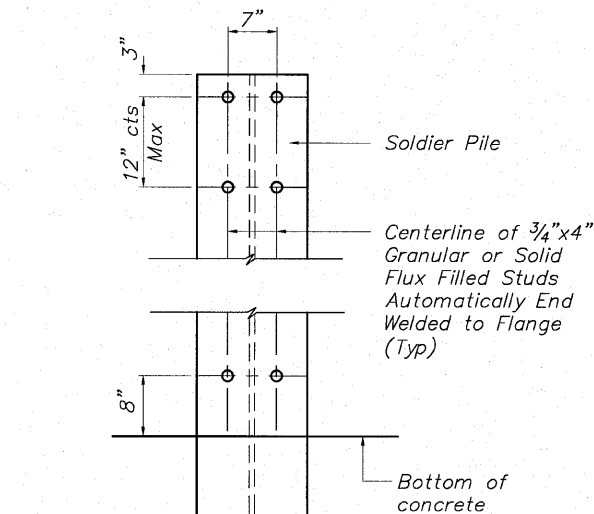
TYPICAL CONSTRUCTION JOINT DETAIL
NO SCALE



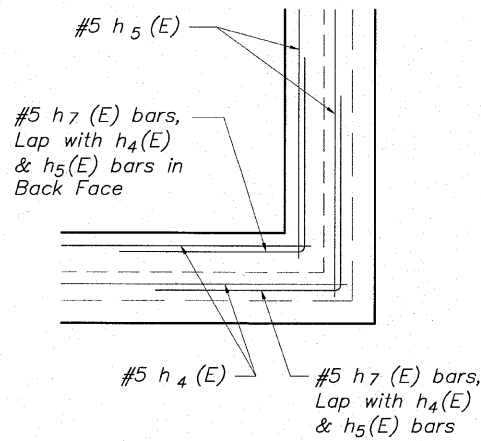
PLAN VIEW

Space Expansion Joints as Shown on Elevation
** Cost included with Concrete Structures

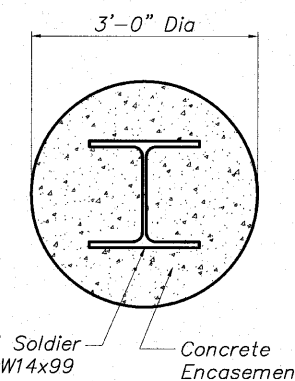
TYPICAL EXPANSION JOINT DETAIL
NO SCALE



STUD SHEAR CONNECTOR LAYOUT



CORNER DETAIL



TYPICAL PILE ENCASEMENT SECTION
NO SCALE

MINIMUM BAR LAP

- No. 4 bars 1'-8"
- No. 5 bars 2'-2"
- No. 6 bars 2'-7"

**SP WALL No. 24 DETAILS
PEDESTRIAN RIVERWALK
ALONG THE ROCK RIVER
WINNEBAGO COUNTY
SECTION NO. 06-00543-00-BT
STATION 211+87.04 TO
STATION 213+18.55**

DESIGNED	JWH
CHECKED	AAG
DRAWN	JAW
CHECKED	JWH

McClure
Engineering Associates, Inc.
7282 Argus Drive
Rockford, Illinois 61107-5837
(815) 398-2332 Fax (815) 398-2496
Design Firm License: Illinois #184-000816

SHEET NO. 4
7 SHEETS

F.A. RTE.	SECTION	COUNTY	TOTAL SHEETS	SHEET NO.
	06-00543-00-BT	WINNEBAGO	148	102
CONTRACT NO.		85521		
FED. ROAD DIST. NO.	ILLINOIS	FED. AID PROJECT		