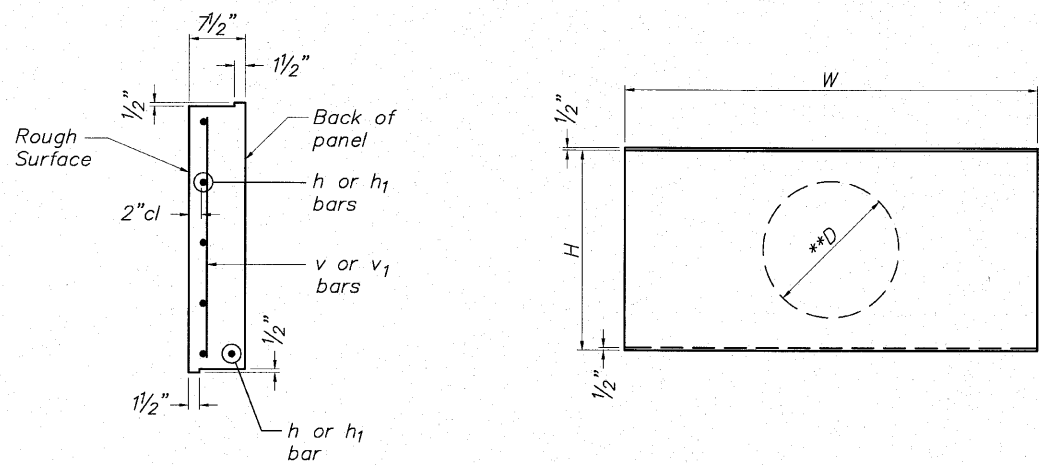


SOLDIER PILE INFORMATION CHART

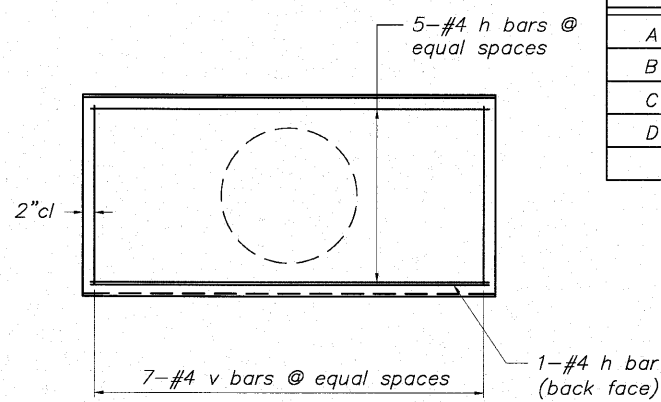
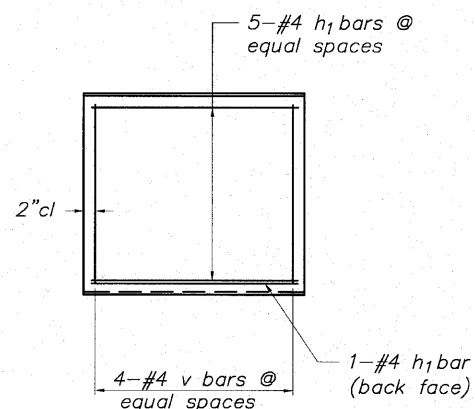
| Reference Point | Station | Offset to ϕ of Hole | Offset to Center Front Flange of Pile | Pile Section | Top of Pile | Bottom of Pile | Finished Pile Length | Furnished Pile Length | No. Stud Shear Connectors |
|-----------------|-----------|--------------------------|---------------------------------------|--------------|-------------|----------------|----------------------|-----------------------|---------------------------|
| 1 | 211+87.84 | 6.45' Rt. | 7.05' Rt. | W14x99 | 708.40 | 693.40 | 15.00' | 16.00' | 12 |
| 2 | 211+91.57 | 6.28' Rt. | 6.87' Rt. | W14x99 | 708.40 | 693.40 | 15.00' | 16.00' | 12 |
| 3 | 211+95.30 | 6.11' Rt. | 6.70' Rt. | W14x99 | 708.40 | 693.40 | 15.00' | 16.00' | 12 |
| 4 | 212+01.80 | 5.81' Rt. | 6.40' Rt. | W14x99 | 708.40 | 693.40 | 15.00' | 16.00' | 12 |
| 5 | 212+08.29 | 5.51' Rt. | 6.10' Rt. | W14x99 | 708.40 | 693.40 | 15.00' | 16.00' | 12 |
| 6 | 212+14.78 | 5.21' Rt. | 5.80' Rt. | W14x99 | 708.40 | 693.40 | 15.00' | 16.00' | 12 |
| 7 | 212+21.28 | 4.91' Rt. | 5.50' Rt. | W14x99 | 708.40 | 693.40 | 15.00' | 16.00' | 12 |
| 8 | 212+27.77 | 4.61' Rt. | 5.20' Rt. | W14x99 | 708.40 | 693.40 | 15.00' | 16.00' | 12 |
| 9 | 212+34.26 | 4.31' Rt. | 4.90' Rt. | W14x99 | 707.90 | 692.90 | 15.00' | 16.00' | 10 |
| 10 | 212+35.59 | 4.37' Rt. | 4.96' Rt. | W14x99 | 707.90 | 692.90 | 15.00' | 16.00' | 10 |
| 11 | 212+42.73 | 4.41' Rt. | 5.00' Rt. | W14x99 | 707.90 | 692.90 | 15.00' | 16.00' | 10 |
| 12 | 212+49.23 | 4.41' Rt. | 5.00' Rt. | W14x99 | 707.90 | 692.90 | 15.00' | 16.00' | 10 |
| 13 | 212+55.73 | 4.41' Rt. | 5.00' Rt. | W14x99 | 707.90 | 692.90 | 15.00' | 16.00' | 10 |
| 14 | 212+62.23 | 4.41' Rt. | 5.00' Rt. | W14x99 | 707.40 | 692.40 | 15.00' | 16.00' | 10 |
| 15 | 212+68.73 | 4.41' Rt. | 5.00' Rt. | W14x99 | 707.40 | 692.40 | 15.00' | 16.00' | 10 |
| 16 | 212+75.23 | 4.41' Rt. | 5.00' Rt. | W14x99 | 707.40 | 692.40 | 15.00' | 16.00' | 10 |
| 17 | 212+81.73 | 4.41' Rt. | 5.00' Rt. | W14x99 | 707.40 | 692.40 | 15.00' | 16.00' | 10 |
| 18 | 212+88.23 | 4.41' Rt. | 5.00' Rt. | W14x99 | 707.40 | 692.40 | 15.00' | 16.00' | 10 |
| 19 | 212+94.73 | 4.41' Rt. | 5.00' Rt. | W14x99 | 707.40 | 692.40 | 15.00' | 16.00' | 10 |
| 20 | 213+01.23 | 4.41' Rt. | 5.00' Rt. | W14x99 | 707.40 | 692.40 | 15.00' | 16.00' | 10 |
| 21 | 213+04.94 | 4.41' Rt. | 5.00' Rt. | W14x99 | 706.40 | 691.40 | 15.00' | 16.00' | 8 |
| 22 | 213+11.44 | 4.41' Rt. | 5.00' Rt. | W14x99 | 706.40 | 691.40 | 15.00' | 16.00' | 8 |
| 23 | 213+17.94 | 4.41' Rt. | 5.00' Rt. | W14x99 | 706.40 | 691.40 | 15.00' | 16.00' | 8 |
| 24 | 213+17.96 | 3.21' Rt. | 3.21' Rt. | W14x99 | 706.40 | 691.40 | 15.00' | 16.00' | 8 |
| 25 | 213+17.96 | 0.50' Lt. | 0.50' Lt. | W14x99 | 706.40 | 691.40 | 15.00' | 16.00' | 8 |
| 26 | 213+17.96 | 4.21' Lt. | 4.21' Lt. | W14x99 | 706.40 | 691.40 | 15.00' | 16.00' | 8 |
| Totals | | | | | | | 390 Ft. | 416 Ft. | 264 Ea. |

** Precast Manufacturer shall supply one(1) "A" panel with D=24" opening for 18" storm sewer as shown. Panel shall be constructed in accordance with ACI Standard opening/penetration detailing and shall be paid for as a typical "A" panel. Contractor is also advised to refer to Seepage Collar in the Special Provisions



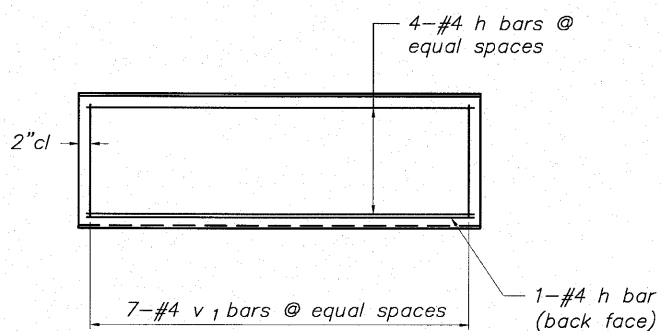
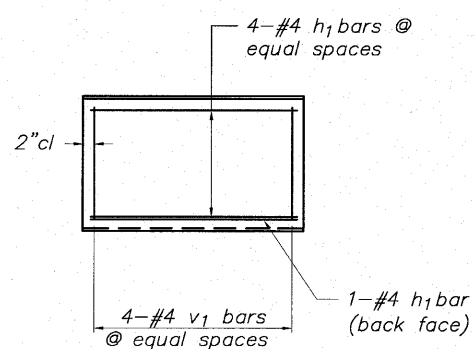
PANEL SCHEDULE

| PANEL | H | W |
|-------|------------|-------|
| A | 2'-11 3/4" | 6'-0" |
| B | 1'-11 3/4" | 6'-0" |
| C | 2'-11 3/4" | 3'-3" |
| D | 1'-11 3/4" | 3'-3" |



PANEL C REINFORCEMENT

PANEL A REINFORCEMENT



PANEL D REINFORCEMENT

PANEL B REINFORCEMENT

PRECAST CONCRETE LAGGING PANEL DETAILS

***BILL OF MATERIAL**

ONE PANEL A

| Bar | No. | Size | Length | Shape |
|---------------------|-----|------|---------|-------|
| h | 6 | #4 | 5'-8" | — |
| v | 7 | #4 | 2'-8" | — |
| Concrete Structures | | | Cu. Yd. | 0.41 |
| Reinforcement Bars | | | Pound | 35.2 |
| Panel Area | | | Sq. Ft. | 17.87 |

***BILL OF MATERIAL**

ONE PANEL B

| Bar | No. | Size | Length | Shape |
|---------------------|-----|------|---------|-------|
| h | 5 | #4 | 5'-8" | — |
| v ₁ | 7 | #4 | 1'-8" | — |
| Concrete Structures | | | Cu. Yd. | 0.27 |
| Reinforcement Bars | | | Pound | 26.7 |
| Panel Area | | | Sq. Ft. | 11.87 |

***BILL OF MATERIAL**

ONE PANEL C

| Bar | No. | Size | Length | Shape |
|---------------------|-----|------|---------|-------|
| h ₁ | 6 | #4 | 2'-11" | — |
| v | 4 | #4 | 2'-8" | — |
| Concrete Structures | | | Cu. Yd. | 0.22 |
| Reinforcement Bars | | | Pound | 18.8 |
| Panel Area | | | Sq. Ft. | 9.68 |

***BILL OF MATERIAL**

ONE PANEL D

| Bar | No. | Size | Length | Shape |
|---------------------|-----|------|---------|-------|
| h ₁ | 5 | #4 | 2'-11" | — |
| v ₁ | 4 | #4 | 1'-8" | — |
| Concrete Structures | | | Cu. Yd. | 0.15 |
| Reinforcement Bars | | | Pound | 14.2 |
| Panel Area | | | Sq. Ft. | 6.43 |

NOTES:

1. Precast Concrete Lagging shall be labeled "front" (river side) or "back" (embankment side) at the time of casting by the manufacturer.
2. Precast Panels shall meet the requirements of Section 1042 of the Standard Specifications and shall be paid for at the contract unit price per square foot for Precast Concrete Lagging.
3. Contractor to backfill wall as precast panels are installed or provide blocking detail to Engineer for approval at no additional cost to the contract.

**SP WALL No. 24 DETAILS
PANEL DETAILS & PILE INFORMATION
PEDESTRIAN RIVERWALK
ALONG THE ROCK RIVER
WINNEBAGO COUNTY
SECTION NO. 06-00543-00-BT
STATION 211+87.04 TO
STATION 213+18.55**

| | |
|----------|-----|
| DESIGNED | CTB |
| CHECKED | AAG |
| DRAWN | JAW |
| CHECKED | JWH |

McClure
Engineering Associates, Inc.
2282 Argus Drive
(815) 398-2332
Rockford, Illinois 61107-5837
Fax (815) 398-2496
Design Firm License: Illinois #184-000816
Copyright 2009 By McClure Engineering Associates, Inc.

SHEET NO. 5
7 SHEETS

| | | | | |
|---------------------|----------------|------------------|--------------------|-----------|
| F.A. RTE. | SECTION | COUNTY | TOTAL SHEETS | SHEET NO. |
| | 06-00543-00-BT | WINNEBAGO | 148 | 103 |
| FED. ROAD DIST. NO. | | ILLINOIS | CONTRACT NO. 85521 | |
| | | FED. AID PROJECT | | |