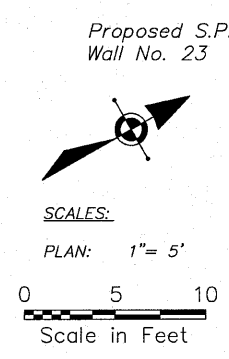
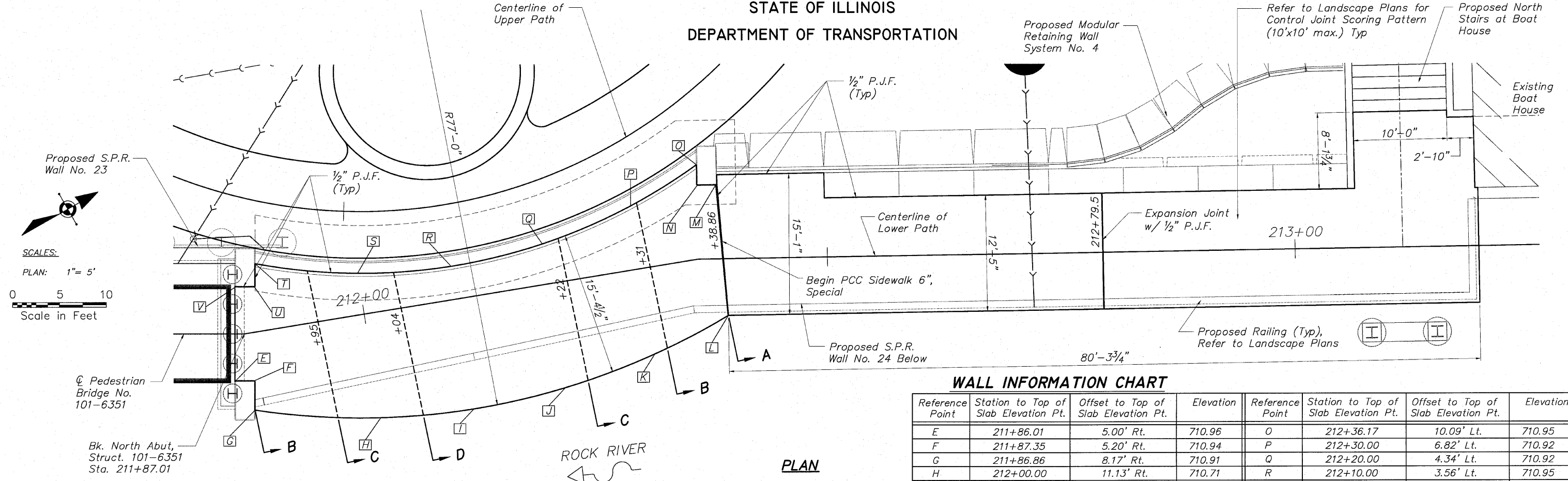
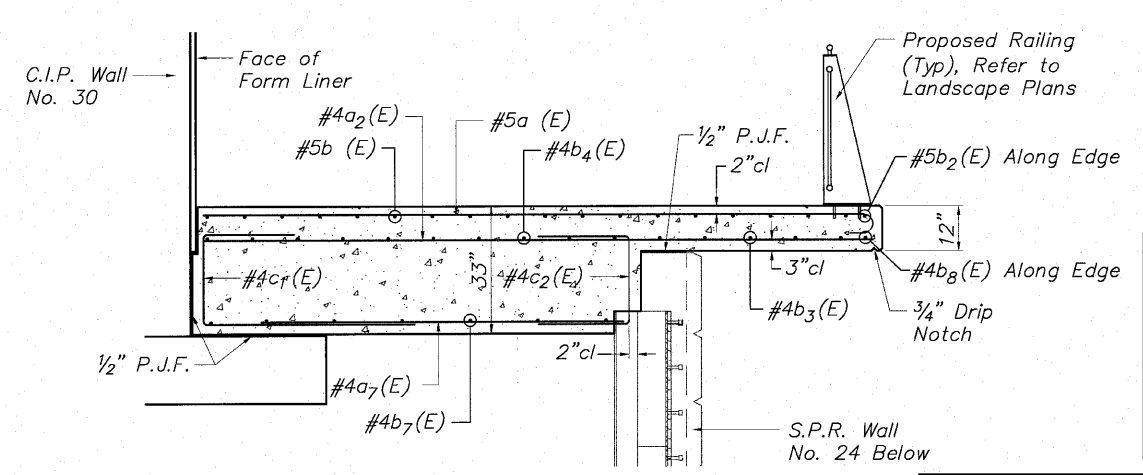
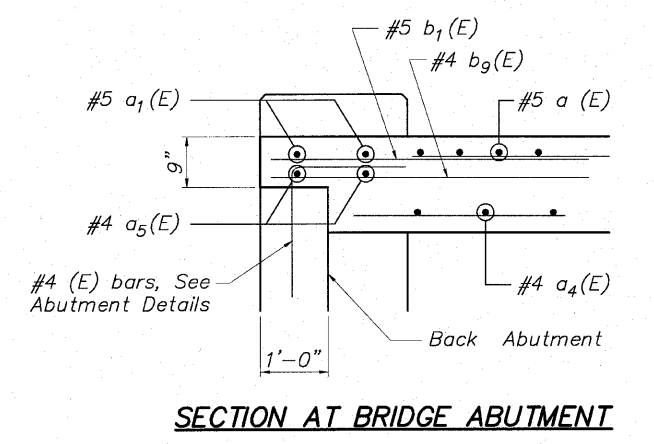
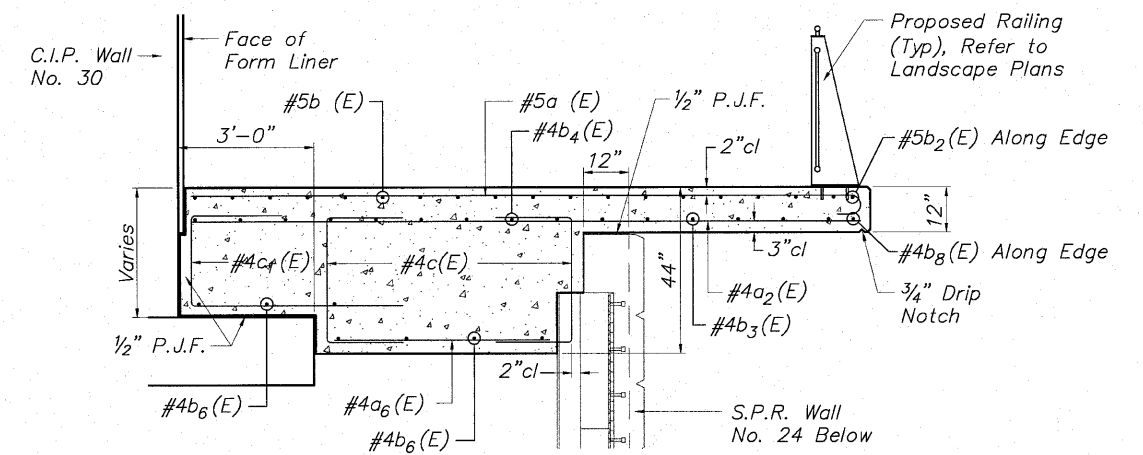
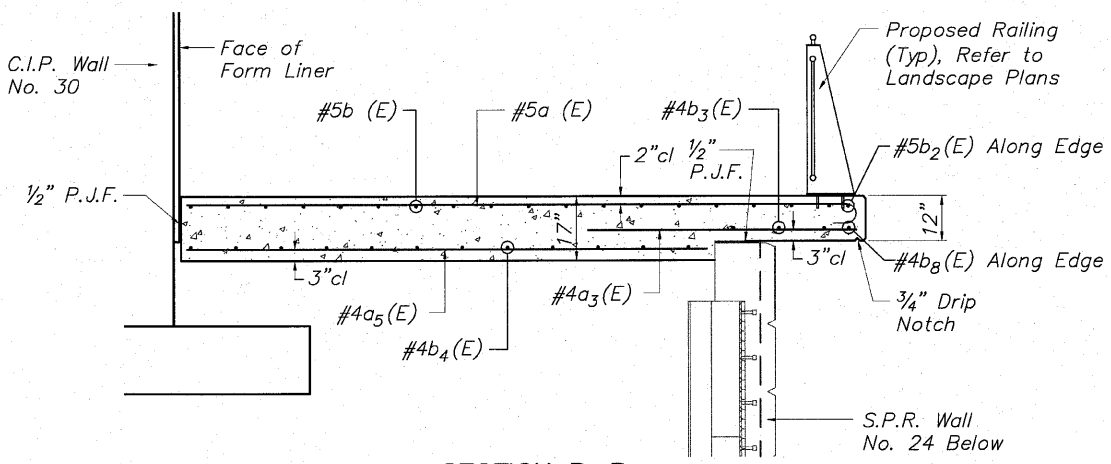
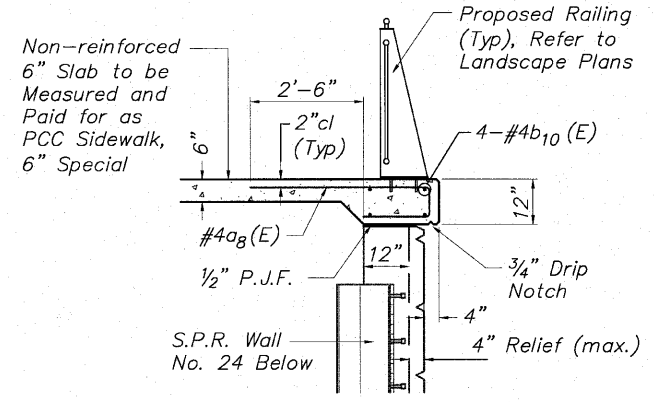


STATE OF ILLINOIS
DEPARTMENT OF TRANSPORTATION



WALL INFORMATION CHART

Reference Point	Station to Top of Slab Elevation Pt.	Offset to Top of Slab Elevation Pt.	Elevation	Reference Point	Station to Top of Slab Elevation Pt.	Offset to Top of Slab Elevation Pt.	Elevation
E	211+86.01	5.00' Rt.	710.96	O	212+36.17	10.09' Lt.	710.95
F	211+87.35	5.20' Rt.	710.94	P	212+30.00	6.82' Lt.	710.92
G	211+86.86	8.17' Rt.	710.91	Q	212+20.00	4.34' Lt.	710.92
H	212+00.00	11.13' Rt.	710.71	R	212+10.00	3.56' Lt.	710.95
I	212+10.00	11.81' Rt.	710.64	S	212+00.00	4.42' Lt.	711.02
J	212+20.00	11.19' Rt.	710.61	T	211+89.36	7.21' Lt.	711.06
K	212+30.00	9.23' Rt.	710.60	U	211+88.88	4.76' Lt.	711.04
L	212+39.33	6.08' Rt.	710.57	V	211+86.01	5.00' Lt.	711.06
M	212+38.34	8.00' Lt.	710.85				
N	212+36.17	7.92' Lt.	710.91				



SLAB DEPTH CHART

Station Limits	Maximum Overhang	Min. Slab Depth
211+87.01 - 211+95	3'-6"	17"
211+95 - 212+04	5'-0"	35"
212+04 - 212+22	5'-6"	44"
212+22 - 212+31	5'-0"	35"
212+31 - 212+38.86	3'-6"	17"

**SLAB DETAILS LOOKOUT No. 4
PEDESTRIAN RIVERWALK
ALONG THE ROCK RIVER
WINNEBAGO COUNTY
SECTION NO. 06-00543-00-BT
STA. 211+87.01 TO STA. 213+19.63**

DESIGNED	CTB	EXAMINED	
CHECKED	AAG	PASSED	
DRAWN	JAW		
CHECKED	JWH		

SECTION C-C

McClure
Engineering Associates, Inc.
7282 Argus Drive
Rockford, Illinois 61107-5937
(815) 398-2332 Fax (815) 398-2498
Design Firm License: Illinois #184-000816
Copyright 2010 By McClure Engineering Associates, Inc.

SHEET NO. 6
7 SHEETS

F.A. RTE.	SECTION	COUNTY	TOTAL SHEETS	SHEET NO.
	06-00543-00-BT	WINNEBAGO	148	104
FED. ROAD DIST. NO.	ILLINOIS	FED. AID PROJECT	CONTRACT NO. 85521	