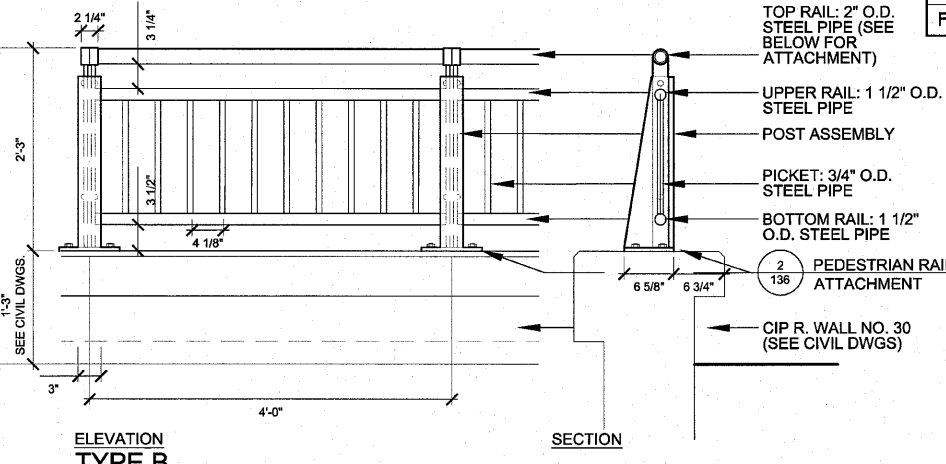
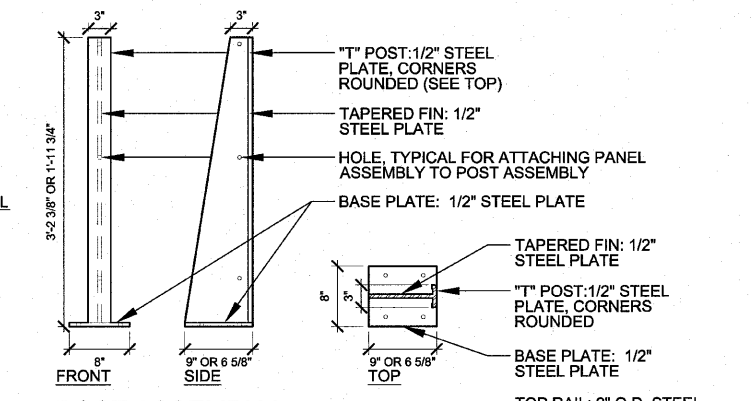


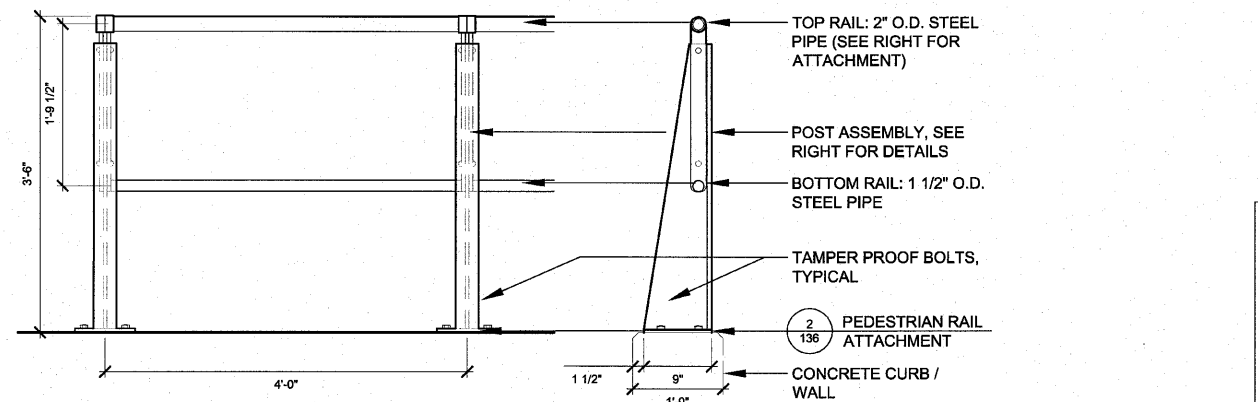
ELEVATION TYPE A



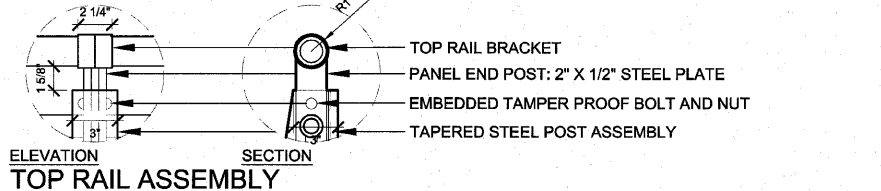
ELEVATION TYPE B



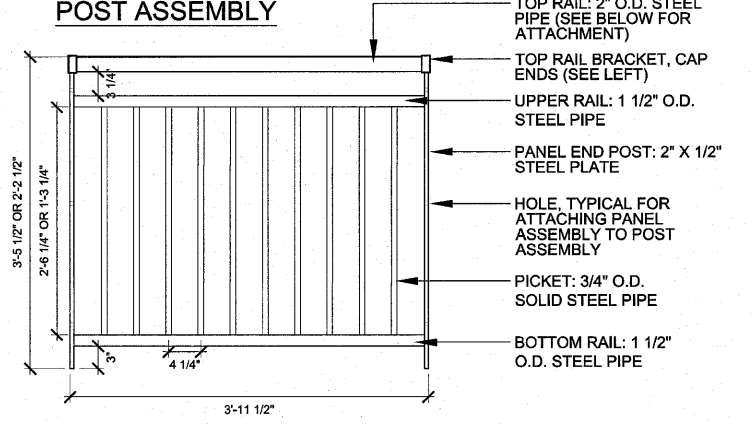
POST ASSEMBLY



ELEVATION TYPE C



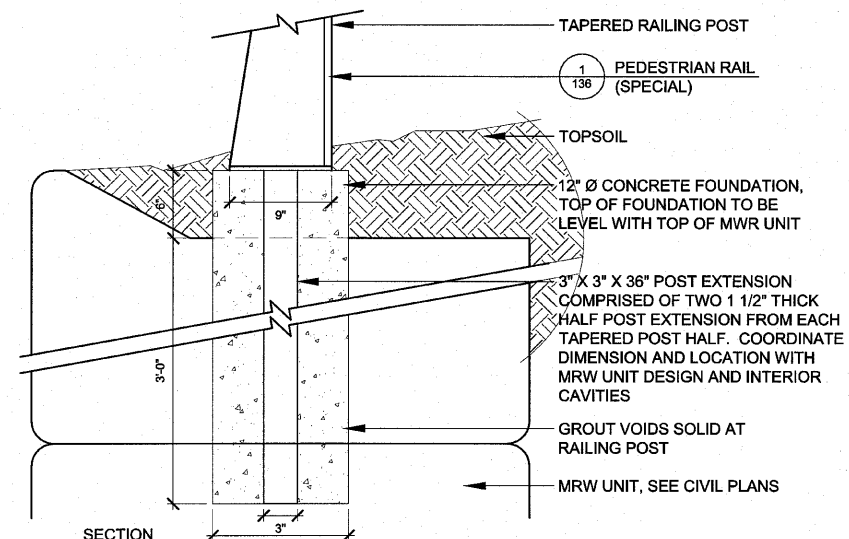
ELEVATION TOP RAIL ASSEMBLY



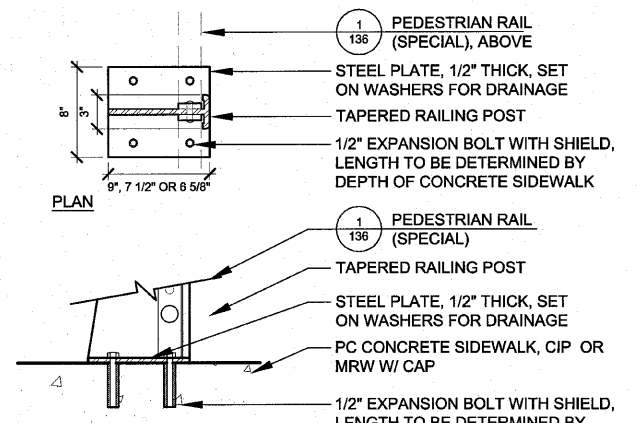
PANEL ASSEMBLY

- NOTES:**
- HEIGHT OF RAIL TO BE 42" MIN. AND MAXIMUM SPACE BETWEEN PICKETS, POSTS OR RAILS IS 3 1/2".
 - RAILING PANELS TO BE STRAIGHT SEGMENTS UNLESS NOTED OTHERWISE. RADIAL RAILING PANELS TO FOLLOW THE RADII OF ADJACENT WALLS, WALKS, ETC (SEE CIVIL DWGS FOR LAYOUT).
 - POSTS AND PICKETS TO BE PLUMB AND TRUE. PANEL ASSEMBLY TO BE RACKED IN AREAS WHERE THE RAILING IS TO FOLLOW THE GRADE (SEE MATERIAL CALLOUT PLAN FOR LOCATIONS).
 - ALL RAILING MATERIALS TO BE STEEL. WELD POST AND PANEL ASSEMBLIES TOGETHER (I.E. POST TO BASE PLATE, PICKETS TO RAILS W/ TERMINAL ENDS CAPS). THOROUGHLY GRIND SMOOTH, AND POLISH ALL WELDED CONNECTIONS.
 - POST AND PANEL ASSEMBLIES TO BE CONNECTED TOGETHER WITH EMBEDDED NUTS AND BOLTS. ALL HARDWARE SHALL BE TAMPER PROOF STAINLESS STEEL.
 - ALL RAILING COMPONENTS TO BE PREPARED, PRIMED AND POWDER COATED. COLOR TO BE SILVER.
 - CONTRACTOR TO SUBMIT SHOP DRAWINGS FOR APPROVAL PRIOR TO FABRICATION.
 - RAILING TYPES A, B & C TO BE PAID FOR AS PEDESTRIAN RAIL (SPECIAL).

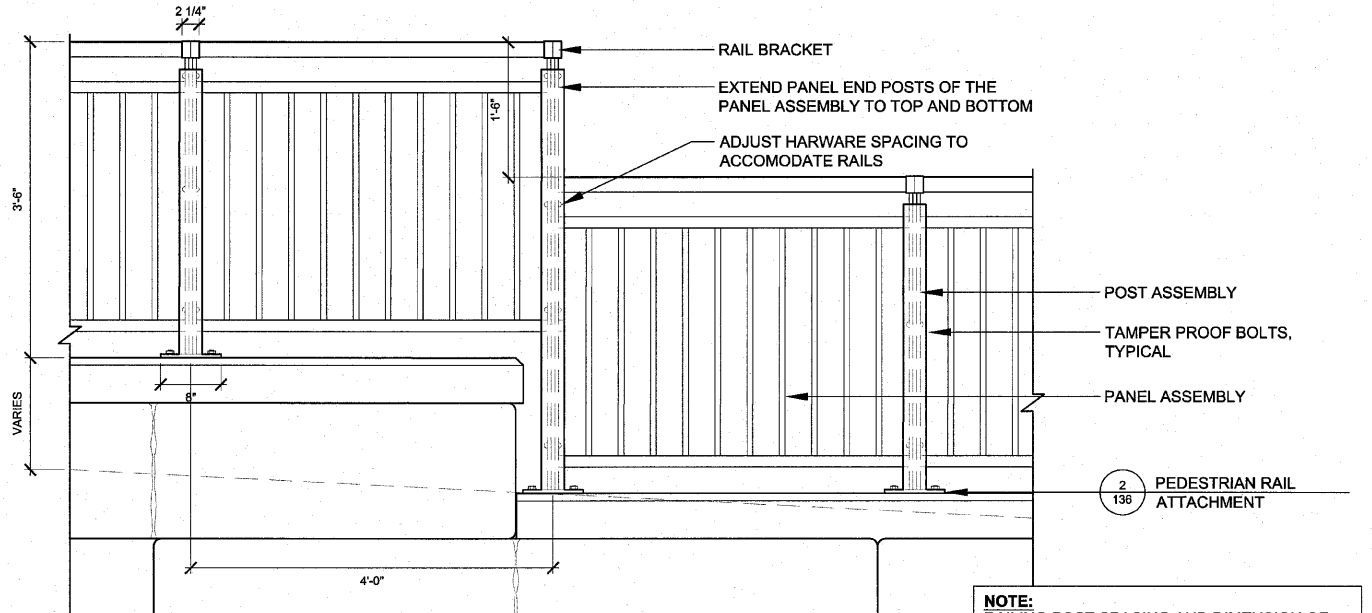
1 PEDESTRIAN RAIL, SPECIAL
Scale: 1" = 1'-0"



PEDESTRIAN RAIL ATTACHMENT @ MODULAR RETAINING WALL W/O CAP



PEDESTRIAN RAIL SURFACE ATTACHMENT



PEDESTRIAN RAIL STEP

NOTE: RAILING POST SPACING AND DIMENSION OF RAILING STEP TO BE COORDINATED WITH MODULAR RETAINING WALL UNIT DIMENSIONS. SEE CIVIL DWGS FOR MORE DETAILS.

2 PEDESTRIAN RAIL ATTACHMENT
Scale: 1 1/2" = 1'-0"

3 PEDESTRIAN RAIL STEP
Scale: 1" = 1'-0"

SHEET REVIEW	
AGENCY	DATE

REVISIONS		
NO.	ITEM	DATE

SCALE:	AS SHOWN
DRAWN BY:	MAF
CHECKED BY:	TCK
DATE:	9/3/2010