

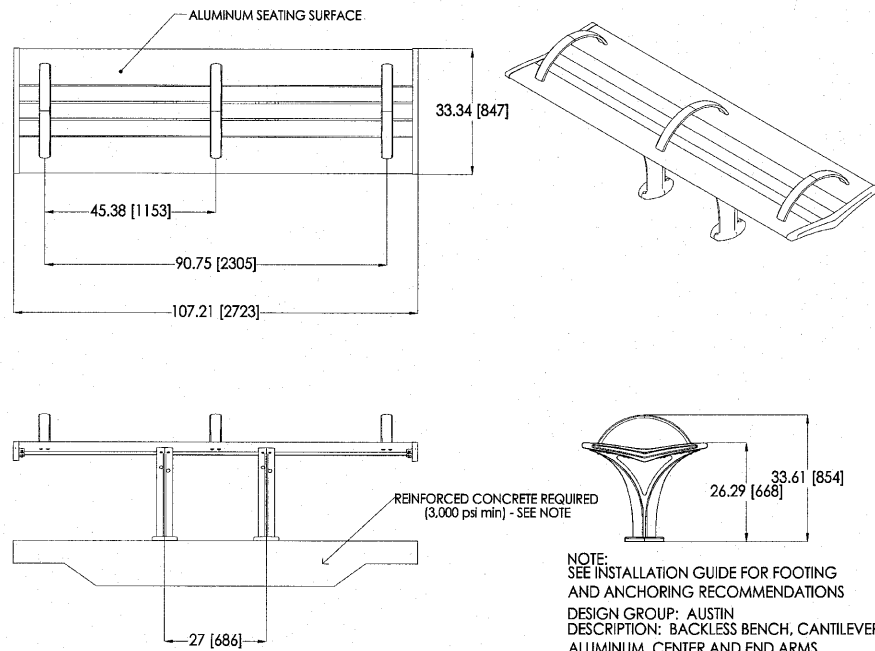
### landscape forms®

431 LAWDALE AVE. PHONE: 800-521-2546  
KALAMAZOO, MI 49048 FAX: 269-381-3455

CONFIDENTIAL DRAWING INFORMATION CONTAINED HEREIN IS THE PROPERTY OF LANDSCAPE FORMS, INC. INTENDED USE IS LIMITED TO DESIGN PROFESSIONALS SPECIFYING LANDSCAPE FORMS, INC. PRODUCTS AND THEIR DIRECT CLIENTS. DRAWING IS NOT TO BE COPIED OR DISCLOSED TO OTHERS WITHOUT THE CONSENT OF LANDSCAPE FORMS, INC.  
© 2008 LANDSCAPE FORMS, INC. ALL RIGHTS RESERVED.

**1 BENCH WITH BACK**  
Scale: not to scale

d-austin bench AU454-03.dwg



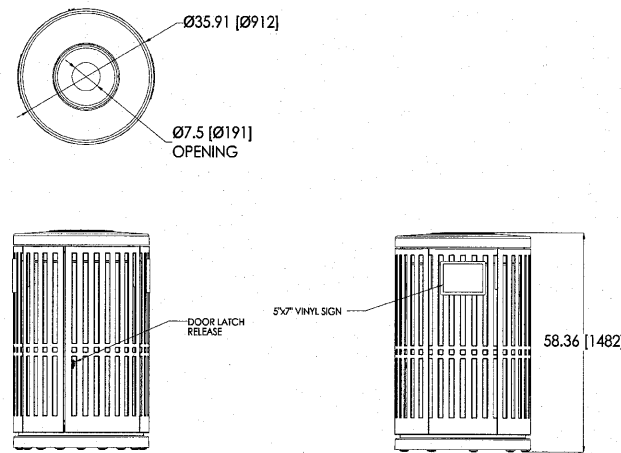
### landscape forms®

431 LAWDALE AVE. PHONE: 800-521-2546  
KALAMAZOO, MI 49048 FAX: 269-381-3455

CONFIDENTIAL DRAWING INFORMATION CONTAINED HEREIN IS THE PROPERTY OF LANDSCAPE FORMS, INC. INTENDED USE IS LIMITED TO DESIGN PROFESSIONALS SPECIFYING LANDSCAPE FORMS, INC. PRODUCTS AND THEIR DIRECT CLIENTS. DRAWING IS NOT TO BE COPIED OR DISCLOSED TO OTHERS WITHOUT THE CONSENT OF LANDSCAPE FORMS, INC.  
© 2008 LANDSCAPE FORMS, INC. ALL RIGHTS RESERVED.

**2 BENCHES**  
Scale: not to scale

d-austin bench-backless AU454-03.dwg



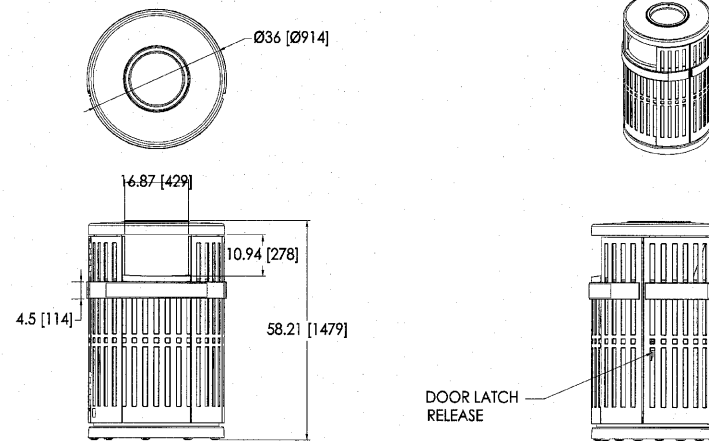
### landscape forms®

431 LAWDALE AVE. PHONE: 800-521-2546  
KALAMAZOO, MI 49048 FAX: 269-381-3455

CONFIDENTIAL DRAWING INFORMATION CONTAINED HEREIN IS THE PROPERTY OF LANDSCAPE FORMS, INC. INTENDED USE IS LIMITED TO DESIGN PROFESSIONALS SPECIFYING LANDSCAPE FORMS, INC. PRODUCTS AND THEIR DIRECT CLIENTS. DRAWING IS NOT TO BE COPIED OR DISCLOSED TO OTHERS WITHOUT THE CONSENT OF LANDSCAPE FORMS, INC.  
© 2008 LANDSCAPE FORMS, INC. ALL RIGHTS RESERVED.

**3 RECYCLING RECEPTACLE**  
Scale: not to scale

d-receptacle-recycling-CP385-01-HOL.dwg



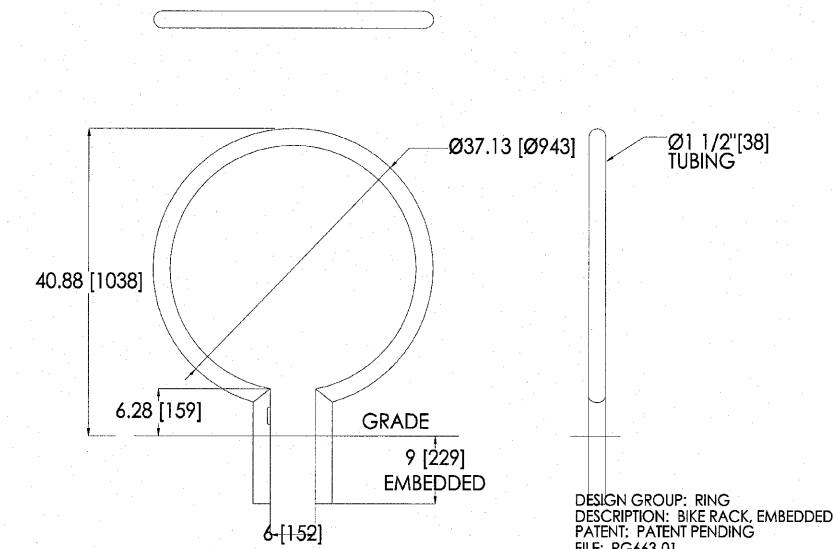
### landscape forms®

431 LAWDALE AVE. PHONE: 800-521-2546  
KALAMAZOO, MI 49048 FAX: 269-381-3455

CONFIDENTIAL DRAWING INFORMATION CONTAINED HEREIN IS THE PROPERTY OF LANDSCAPE FORMS, INC. INTENDED USE IS LIMITED TO DESIGN PROFESSIONALS SPECIFYING LANDSCAPE FORMS, INC. PRODUCTS AND THEIR DIRECT CLIENTS. DRAWING IS NOT TO BE COPIED OR DISCLOSED TO OTHERS WITHOUT THE CONSENT OF LANDSCAPE FORMS, INC.  
© 2007 LANDSCAPE FORMS, INC. ALL RIGHTS RESERVED.

**4 TRASH RECEPTACLES**  
Scale: not to scale

d-receptacle-litter-CP382-03.dwg



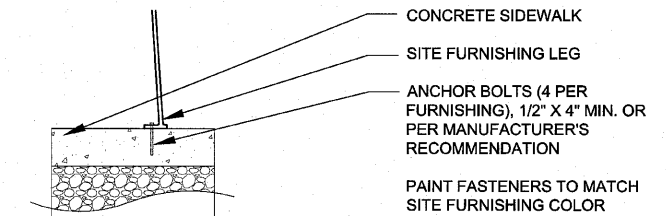
### landscape forms®

431 LAWDALE AVE. PHONE: 800-521-2546  
KALAMAZOO, MI 49048 FAX: 269-381-3455

CONFIDENTIAL DRAWING INFORMATION CONTAINED HEREIN IS THE PROPERTY OF LANDSCAPE FORMS, INC. INTENDED USE IS LIMITED TO DESIGN PROFESSIONALS SPECIFYING LANDSCAPE FORMS, INC. PRODUCTS AND THEIR DIRECT CLIENTS. DRAWING IS NOT TO BE COPIED OR DISCLOSED TO OTHERS WITHOUT THE CONSENT OF LANDSCAPE FORMS, INC.  
© 2006 LANDSCAPE FORMS, INC. ALL RIGHTS RESERVED.

**5 BICYCLE RACKS**  
Scale: not to scale

d-bike rack



**6 SITE FURNISHING ATTACHMENT**  
Scale: 1" = 1'-0"

d-site-furnishing-attach

NOTE: MODELS AND MANUFACTURER'S SHOWN ARE FOR ILLUSTRATIVE PURPOSES TO SHOW DESIGN INTENT. OTHER MANUFACTURER'S MAY BE ALLOWED IF SHOWN TO BE EQUAL IN QUALITY, FUNCTION AND STYLE AS APPROVED BY THE OWNER'S REPRESENTATIVE.

| SHEET REVIEW |      |
|--------------|------|
| AGENCY       | DATE |
|              |      |

| REVISIONS |      |      |
|-----------|------|------|
| NO.       | ITEM | DATE |
|           |      |      |

|             |          |
|-------------|----------|
| SCALE:      | AS SHOWN |
| DRAWN BY:   | MAF      |
| CHECKED BY: | TKK      |
| DATE:       | 9/3/2010 |

**McClure**  
Engineering Associates, Inc.  
7282 Agnes Drive (815) 388-2332  
Rockford, Illinois 61107-5937  
Design Firm License: Illinois 184-000818  
Copyright 2010 By McClure Engineering Associates, Inc.

| SITE FURNISHING DETAILS |                   |  |
|-------------------------|-------------------|--|
| RIVERWALK MUSEUM CAMPUS |                   |  |
| 711 NORTH MAIN STREET   | ROCKFORD, IL      |  |
| FILE:                   | JOB: 04-28-10-008 |  |