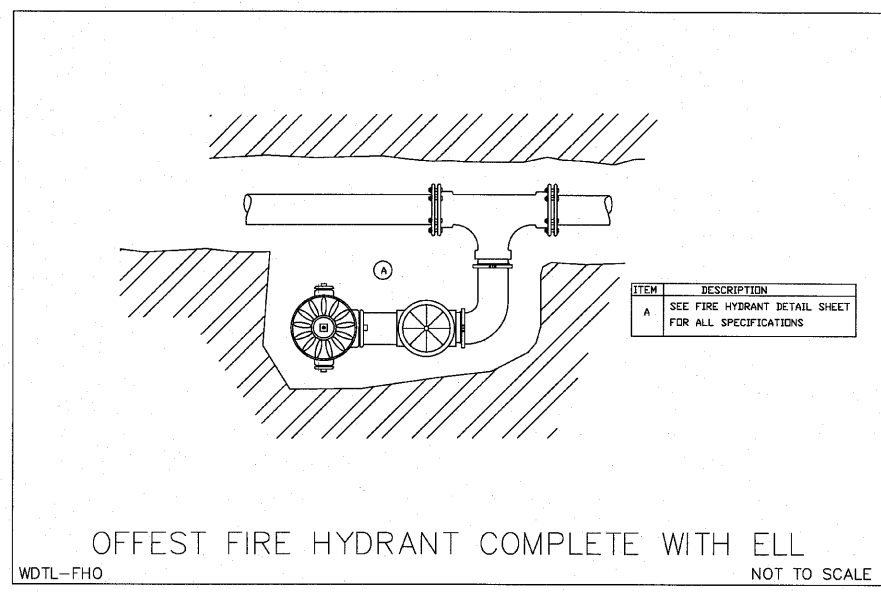
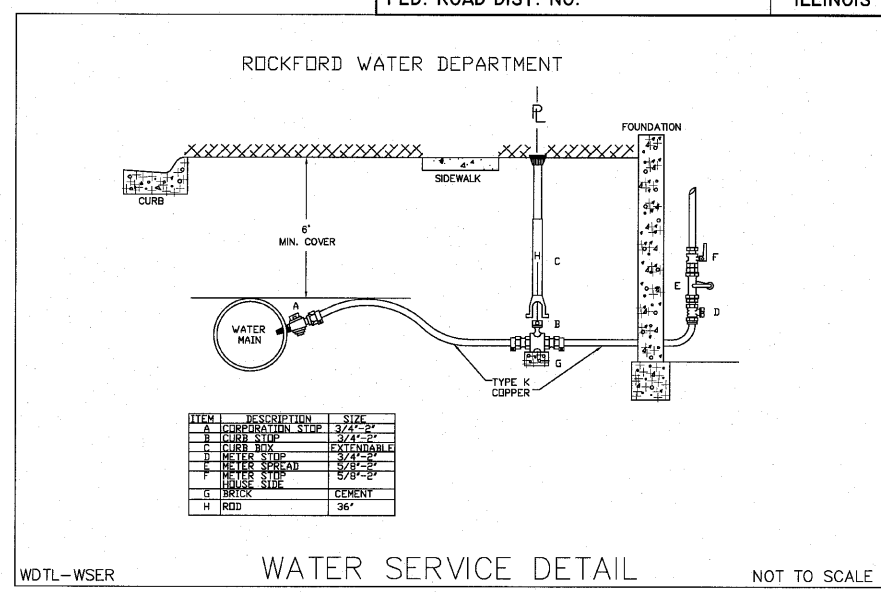


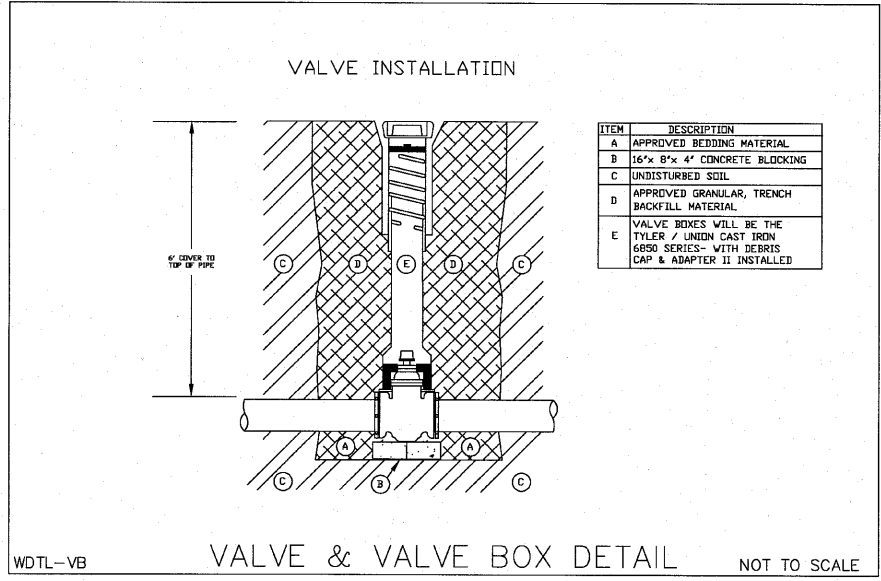
WDTL-FH FIRE HYDRANT COMPLETE NOT TO SCALE



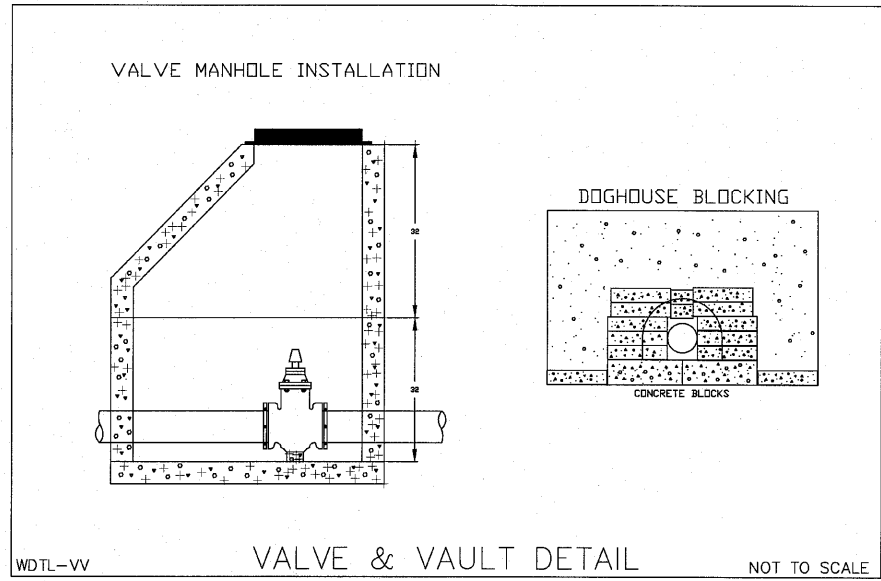
WDTL-FHO OFFSET FIRE HYDRANT COMPLETE WITH ELL NOT TO SCALE



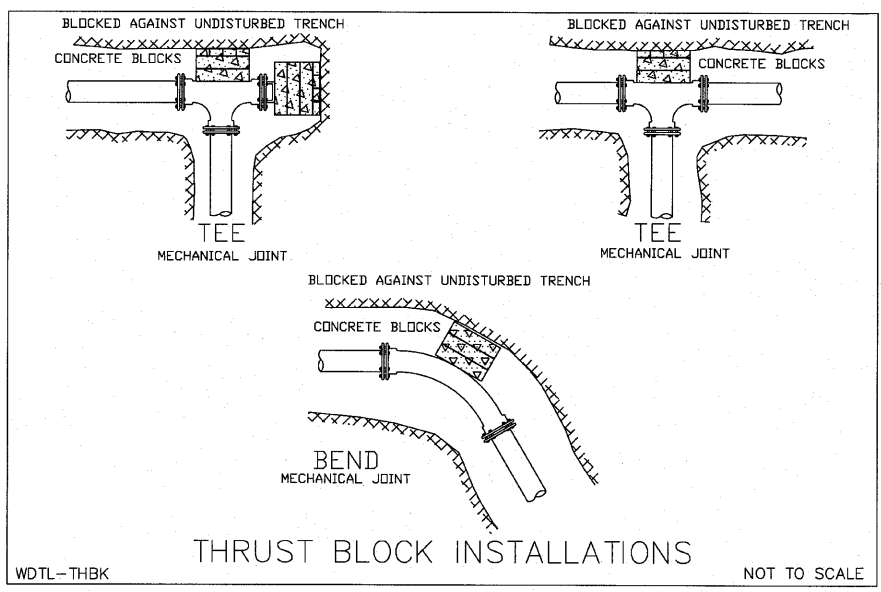
WDTL-WSER WATER SERVICE DETAIL NOT TO SCALE



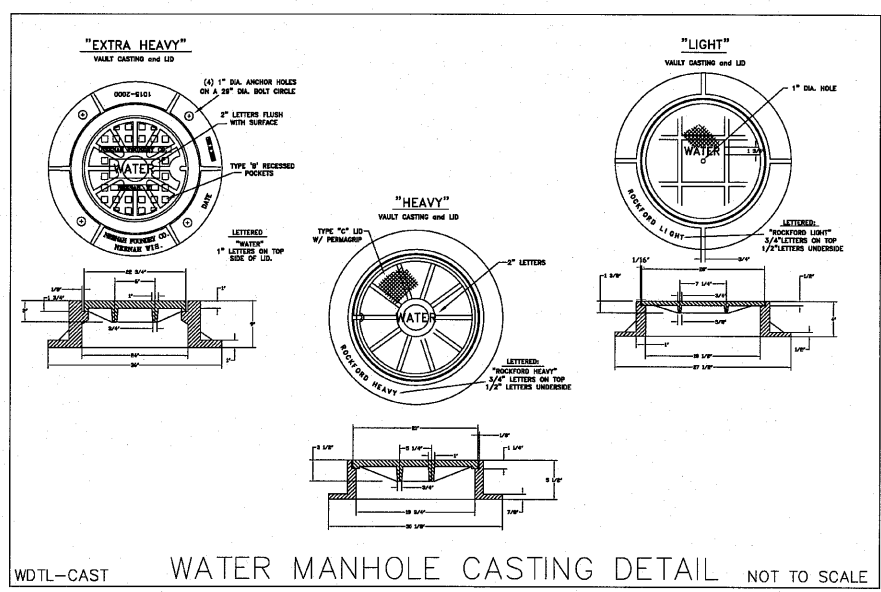
WDTL-VB VALVE & VALVE BOX DETAIL NOT TO SCALE



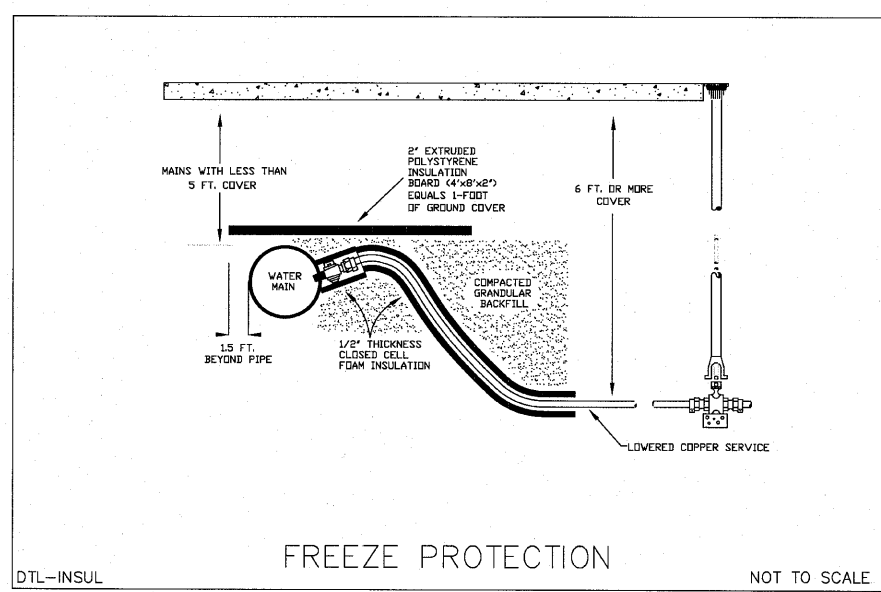
WDTL-VV VALVE & VAULT DETAIL NOT TO SCALE



WDTL-THBK THRUST BLOCK INSTALLATIONS NOT TO SCALE



WDTL-CAST WATER MANHOLE CASTING DETAIL NOT TO SCALE



DTL-INSUL FREEZE PROTECTION NOT TO SCALE

H:\08-008 RIVERWALK MUSEUM\DESIGN\DRAWINGS\08-008 ROCKFORD DETAILS.DWG, WATER DIVISION (2), 9/11/2010 3:10:29 PM, JH, MONTY

SHEET REVIEW	
AGENCY	DATE

REVISIONS		
NO.	ITEM	DATE

SCALE:	N/A
DRAWN BY:	MS
CHECKED BY:	JWH
DATE:	AUGUST 13, 2010

McClure
Engineering Associates, Inc.
7282 Argus Drive
Rockford, Illinois 61107-5837
(815) 398-2332 FAX (815) 398-2496
Design Firm License: Illinois 184-000816
Copyright 2010 By McClure Engineering Associates, Inc.

WATER DIVISION (2)
RIVERWALK MUSEUM CAMPUS
711 NORTH MAIN STREET
ROCKFORD, IL
FILE:H:\08-008 RIVERWALK MUSEUM\DESIGN\DRAWINGS\08-008 ROCKFORD DETAILS.DWG
JOB:04-28-10-008