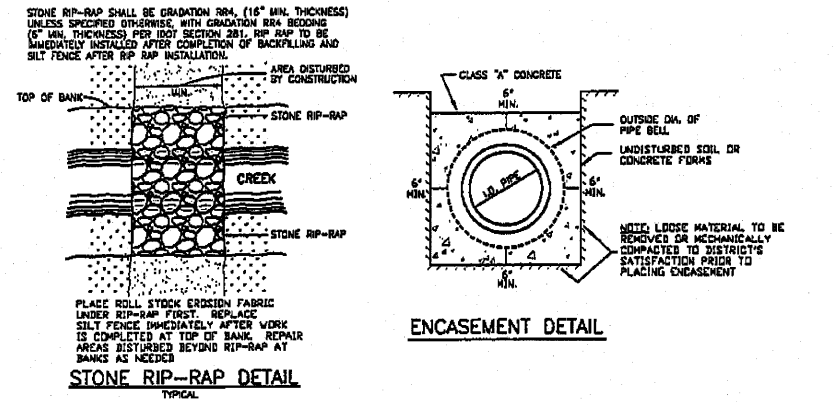
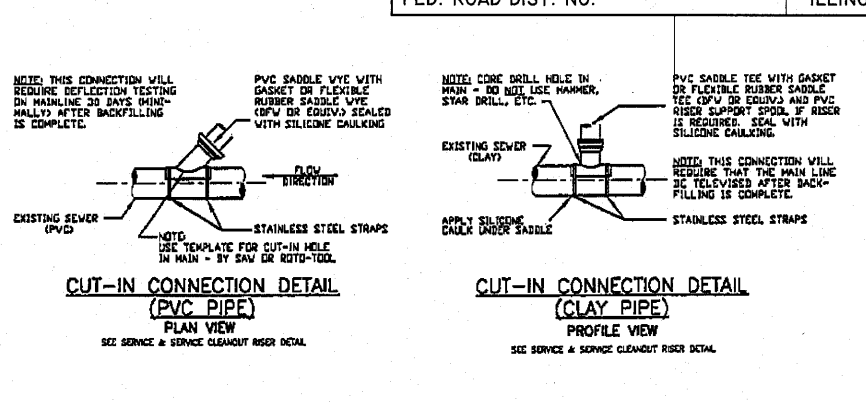


CLAY, RCP & DIP PIPE BEDDING DETAIL PVC PIPE BEDDING DETAIL



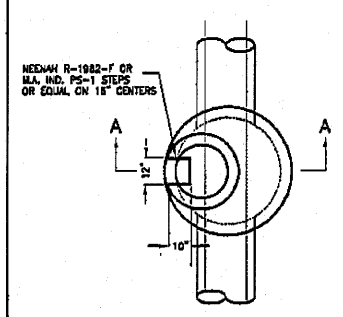
STONE RIP-RAP DETAIL



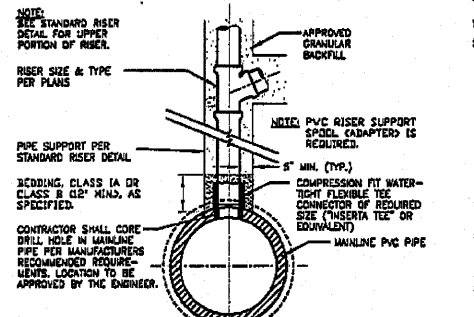
ENCASEMENT DETAIL

CUT-IN CONNECTION DETAIL (PVC PIPE)

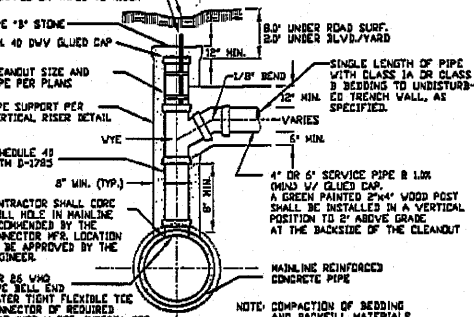
CUT-IN CONNECTION DETAIL (CLAY PIPE)



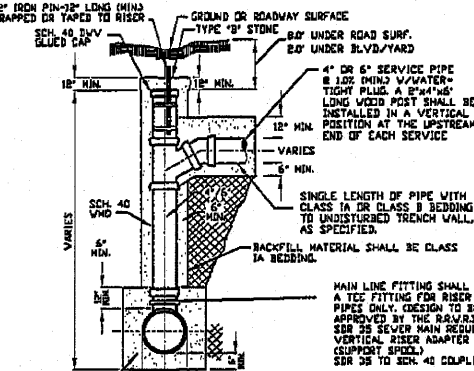
MANHOLE DETAIL - PLAN



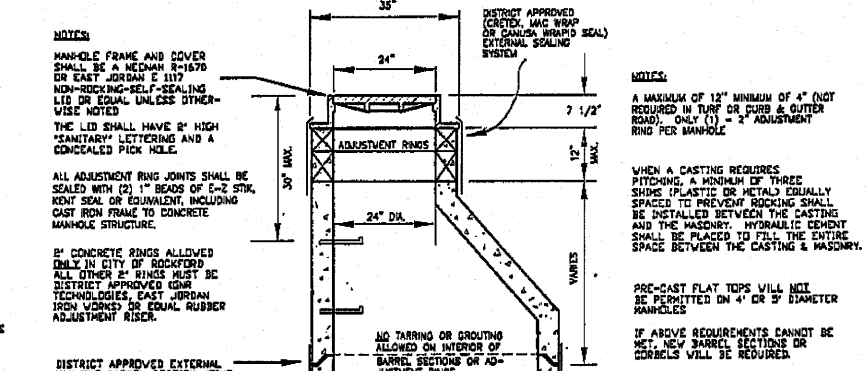
SERVICE CONNECTION FOR PVC TRUNK SEWER



SERVICE CONNECTION DETAIL FOR RCP



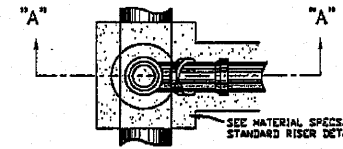
VERTICAL RISER DETAIL



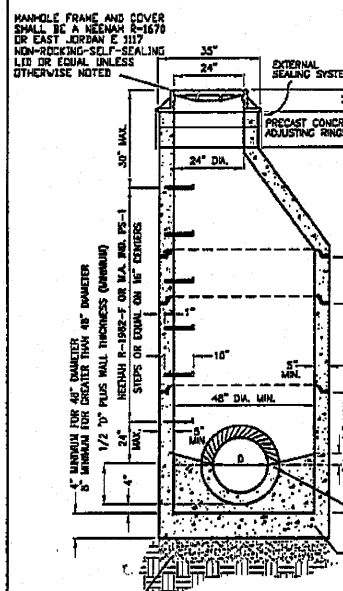
SANITARY MANHOLE ADJUSTMENT DETAIL

| PIPE SIZE | MIN. DIAMETER | MIN. WALL THICKNESS |
|-----------|---------------|---------------------|
| 4" - 18" | 4" | 1/2" |
| 24" | 24" | 1/2" |
| 36" | 36" | 1/2" |

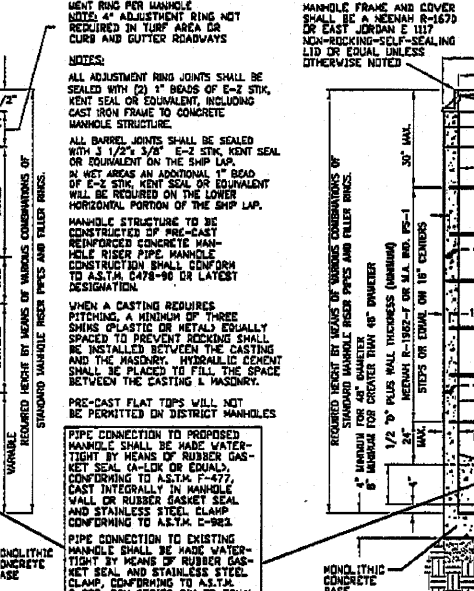
NOTE: THE MAXIMUM DROP FROM THE INVERT OF ANY PIPE IN A MANHOLE TO THE PAVED CHANNEL UNDER THAT PIPE SHALL BE 1/2".



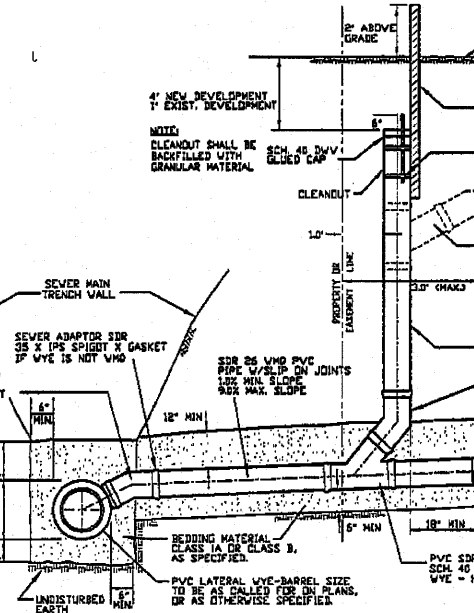
PLAN VIEW (RISER DETAIL)



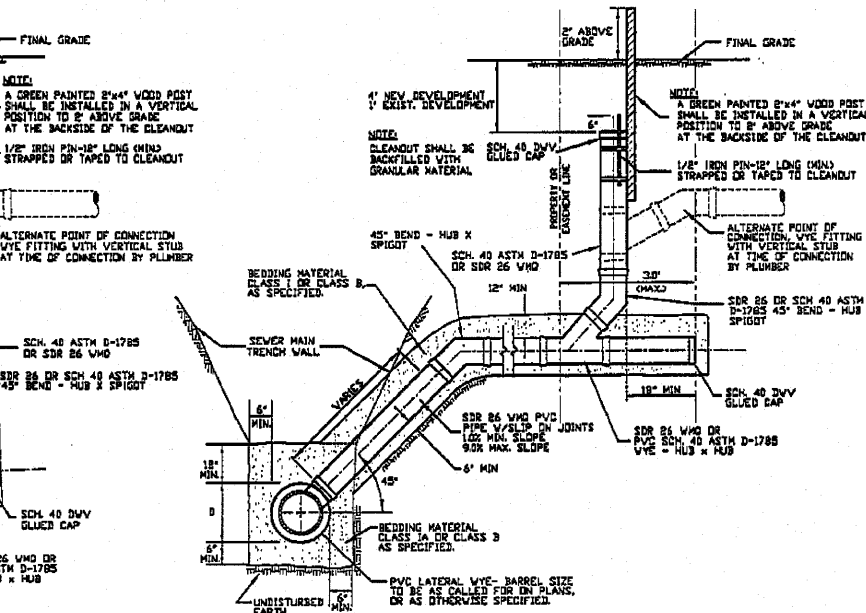
SANITARY MANHOLE DETAIL



SANITARY DROP MANHOLE DETAIL



SERVICE & SERVICE CLEANOUT RISER



ALTERNATE SERVICE RISER DETAIL (WITH SERVICE CLEANOUT)

ROCK RIVER WATER RECLAMATION DISTRICT
 3501 KISHWAUKEE ST., P.O. BOX 7480, ROCKFORD, ILLINOIS 61126-7480 - PH. (815) 387-7660/FAX (815) 387-7665
 REVISED: 5/19/09 PAD STANDARD DETAIL SHEET

| SHEET REVIEW | |
|--------------|------|
| AGENCY | DATE |
| | |

| REVISIONS | | |
|-----------|------|------|
| NO. | ITEM | DATE |
| | | |

| | |
|-------------|-----------------|
| SCALE: | N/A |
| DRAWN BY: | MS |
| CHECKED BY: | JMH |
| DATE: | AUGUST 13, 2010 |

McClure
 Engineering Associates, Inc.
 7282 Argus Drive
 Rockford, Illinois 61107-5837
 (815) 398-2332
 Design Firm License: Illinois 184-000816
 Copyright 2010 By McClure Engineering Associates, Inc.

DETAILS - RRWRD
 RIVERWALK MUSEUM CAMPUS
 711 NORTH MAIN STREET
 ROCKFORD, IL
 FILE: H:\08-008 RIVERWALK MUSEUM\DESIGN\DRAWINGS\08-008 ROCKFORD DETAILS.DWG
 JOB: 08-24-10-008

| | |
|-----------|-----|
| SHEET NO. | 145 |
| OF | 148 |

H:\08-008 RIVERWALK MUSEUM\DESIGN\DRAWINGS\08-008 ROCKFORD DETAILS.DWG, DETAILS - RRWRD, 9/17/2010 3:10:34 PM, L.I. MONY